

# piCLASSIC Xi40-3 x3 COAX® Cartridge,



- Patented COAX® technology inside – the most energy efficient ejector technology.
- The Xi cartridge offers high flow at deep vacuum levels to 95 -kPa.
- Suitable for non-porous applications when deep vacuum level is needed.
- Large capacity range, available with 1 to 6 COAX® Xi40 three-stage cartridges. A smaller piCLASSIC can easily be upgraded with more capacity if needed.
- Low-weight, configurable and modular design.
- Easy disassembly for maintenance.

## General

Material	CuZn, NBR (FKM), PA, SS, Al
Noise level	64 – 69 dBA
Temperature	-10 – 80 °C
Weight, vacuum gauge	50 g
Weight	720 – 790 g
Weight, silencer	120 g

## Performance

Feed pressure, max.	0.7 MPa
Feed pressure, optimum	0.45 MPa
Vacuum, max.	95 -kPa

## Pneumatic data

Volume, internal	246 cm <sup>3</sup>
------------------	---------------------

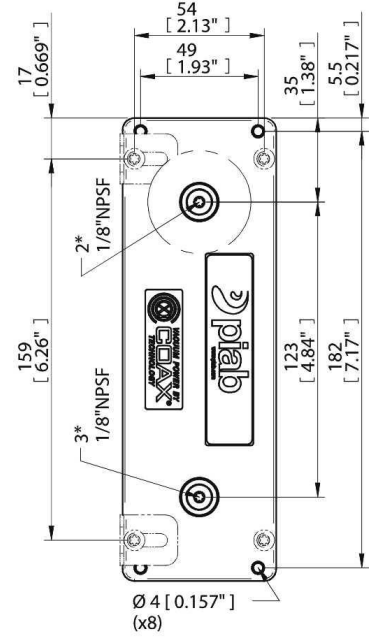
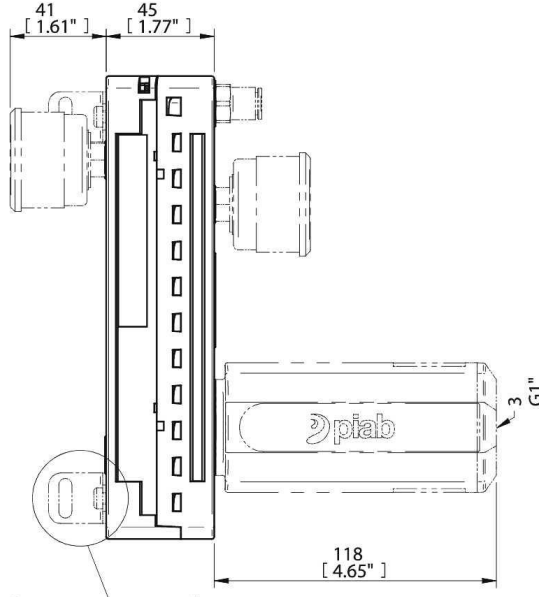
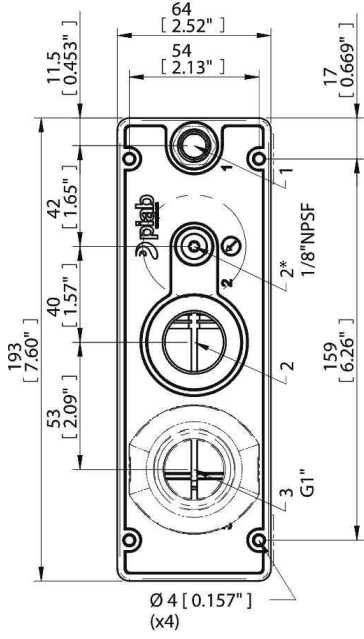
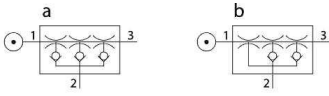
## Vacuum flow

Feed pressure MPa	Air consumption Nl/s	Vacuum flow (Nl/s) at different vacuum levels (-kPa)											Max vacuum -kPa
		0	10	20	30	40	50	60	70	80	90	95	
0.45	5.49	17.7	9	6	3.9	2.19	1.74	1.29	0.96	0.54	0.09	95	

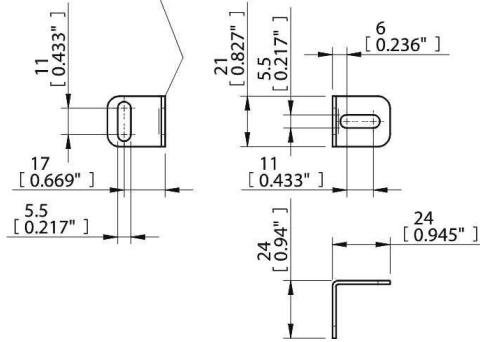
## Evacuation time

Feed pressure MPa	Air consumption Nl/s	Evacuation time (s/l) to reach different vacuum levels (-kPa)											Max vacuum -kPa
		10	20	30	40	50	60	70	80	90	95		
0.45	5.49	0.007	0.021	0.04	0.07	0.12	0.19	0.28	0.4	0.73	95		

## Dimensional drawings

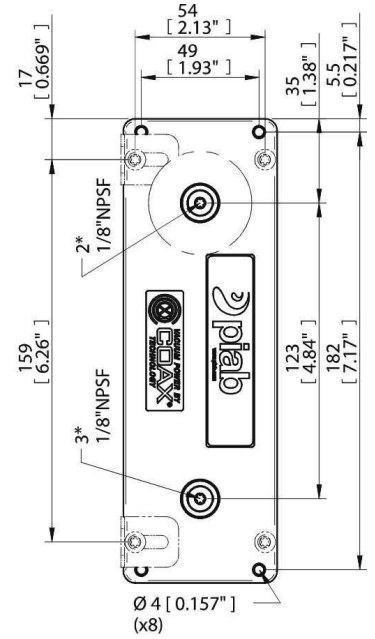
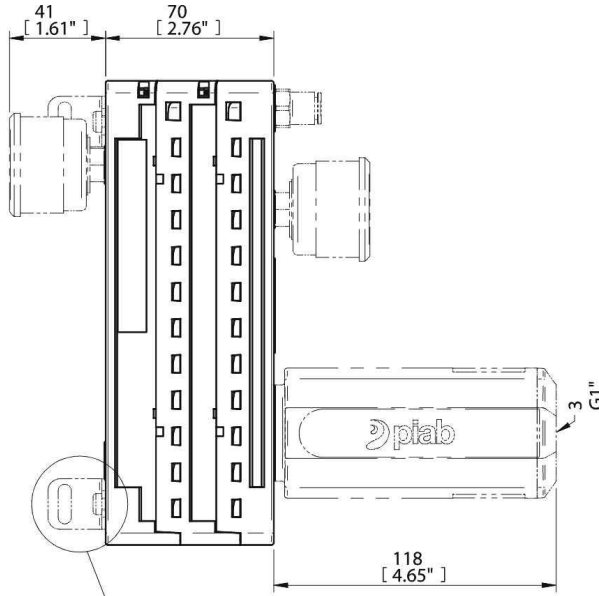
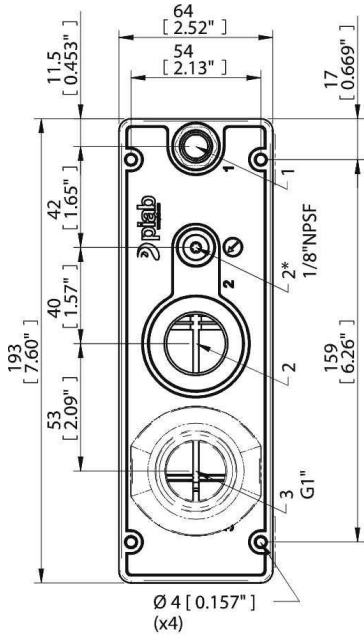
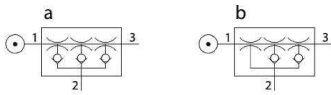


\*) Sensing port

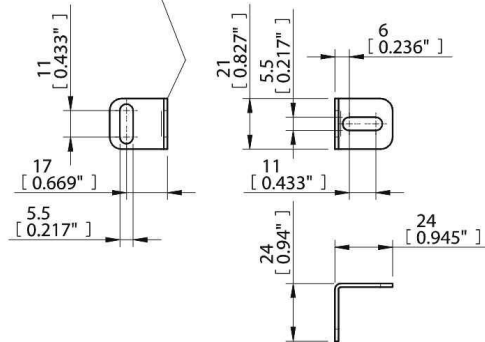


PCL.XXXX.S. **DD**

	1	2
DD	1/8" NPSF	G3/4"
AD	G1/4"	G3/4"
EE	1/4" NPT	3/4" NPT
AB	G1/4"	G1"
08D	Ø8	G3/4"
08E	Ø8	3/4" NPT
10D	Ø10	G3/4"
10E	Ø10	3/4" NPT
10B	Ø10	G1"
12B	Ø12	G1"

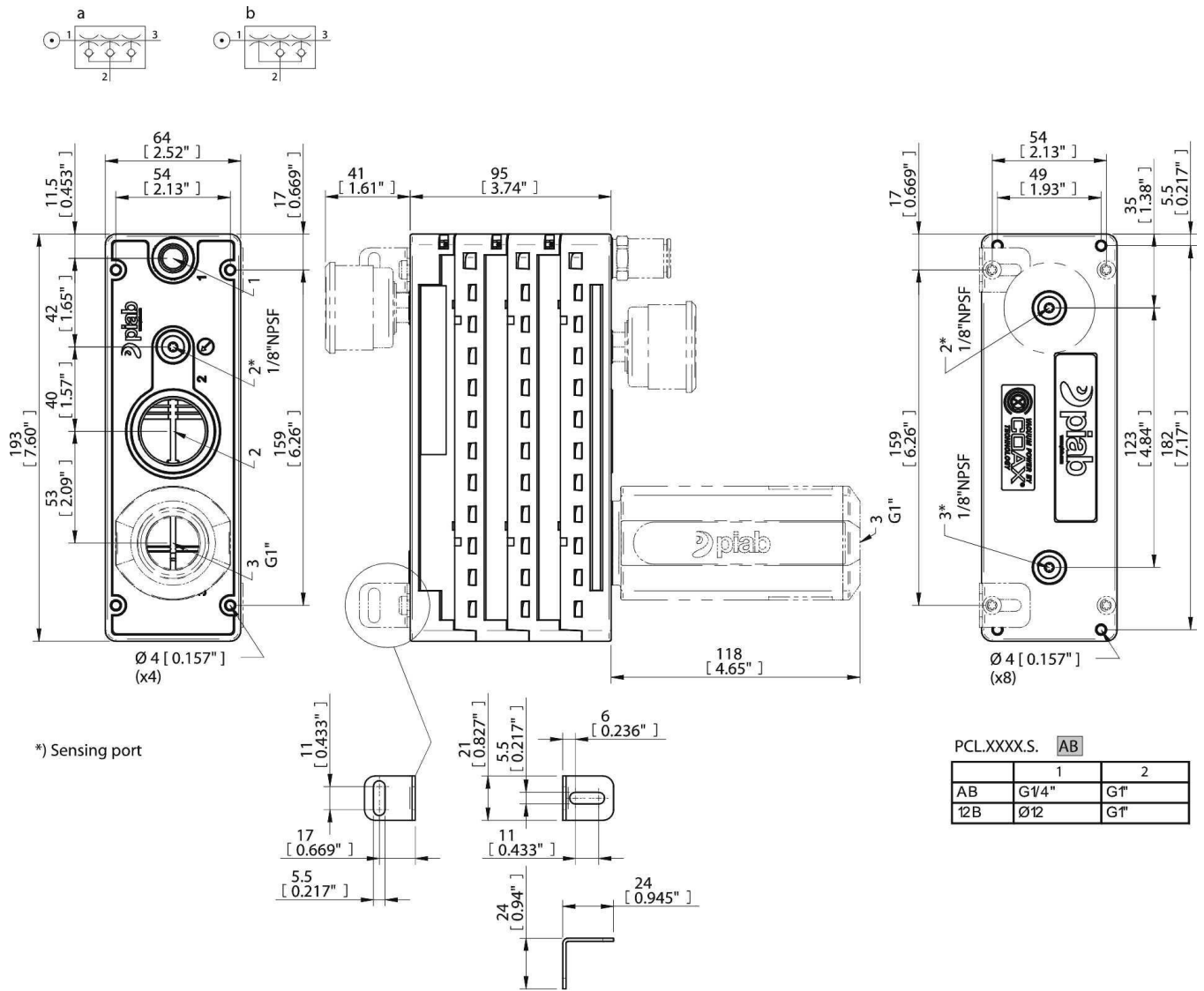


\*) Sensing port



PCL.XXXX.S. **AD**

	1	2
AD	G1/4"	G3/4"
EE	1/4" NPT	3/4" NPT
AB	G1/4"	G1"
08D	Ø8	G3/4"
08E	Ø8	3/4" NPT
10D	Ø10	G3/4"
10E	Ø10	3/4" NPT
10B	Ø10	G1"
12B	Ø12	G1"



Values specified in the data sheet are tested at:

Room temperature	(20°C [68°F] ± 3°C [5.5°F])
Standard atmosphere	(101.3 [29.9 inHg] ± 1.0 kPa [0.3 inHg])
Relative humidity	0-100%
Compressed air quality	DIN ISO 8573-1 class 4