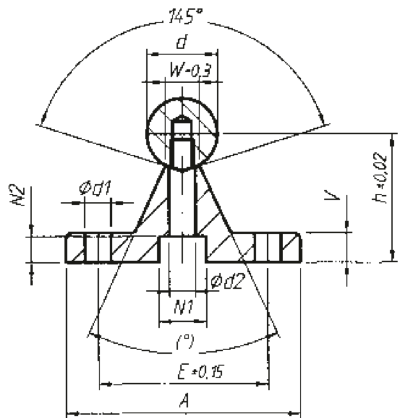
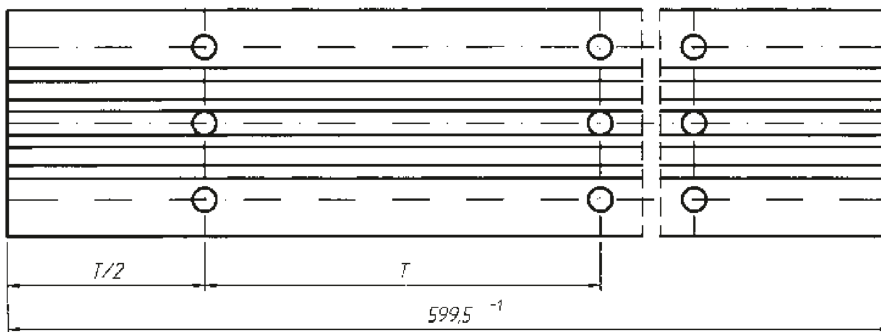


WUM Shaft Support



medium height
aluminium alloy
600 mm long



Linear Construction Components Shaft supports, end-blocks etc.

Dimensions in mm

Part-No.	Ø d	A	h	V	N1	N2	Ø d1	Ø d2	W	(°)	E	T1	T2	weight (kg)
WUM-12	12	40	22	5	8,0	5,0	4,5	4,5	5,8	50	29	75	120	0,52
WUM-16	16	45	26	5	9,5	6,0	5,5	5,5	7,0	50	33	100	150	0,64
WUM-20	20	52	32	6	11,0	6,5	6,6	6,6	8,3	50	37	100	150	0,90
WUM-25	25	57	36	6	14,0	8,5	6,6	9,0	10,8	50	42	120	200	1,08
WUM-30	30	69	42	7	17,0	10,5	9,0	11,0	11,0	50	51	150	200	1,43
WUM-40	40	73	50	8	17,0	10,5	9,0	11,0	15,0	50	55	200	300	1,81
WUM-50	50	84	60	9	19,0	12,5	11,0	13,0	19,0	46	63	200	300	2,45
WUM-60	60	94	68 ^{+0,01}	10	22,0	12,5	11,0	15,5	25,0	46	72	300	-	3,16
WUM-80	80	116	86 ^{+0,01}	12	-	12,5	13,0	17,5	34,0	46	92	300	-	4,86