

# Suction cup U3 Conductive silicone, M2.5 male, 3250081SC



- Suitable for objects with flat or slightly curved surfaces.
- Also used for concave objects.
- Suction cups of conductive silicone are suitable for objects with sensitivity to static electricity.

## General

Curve radius	5 mm
Movement, vertical max.	0.15 mm
Application	Electronic / semiconductor
Material	Conductive Silicone (CSIL)
Suction cup model	U
Suction cup shape	Universal
Volume	0.005 cm <sup>3</sup>
Weight	0.03 g

## Fitting

Fitting size	M2.5
Fitting style	Male
Fitting type	M-thread
Fitting option	None

## Dimension

Height	10 mm
Outer diameter	3.8 mm

## Performance — lifting forces

		
20 -kPa		0.09 N
60 -kPa		0.42 N
90 -kPa		0.65 N

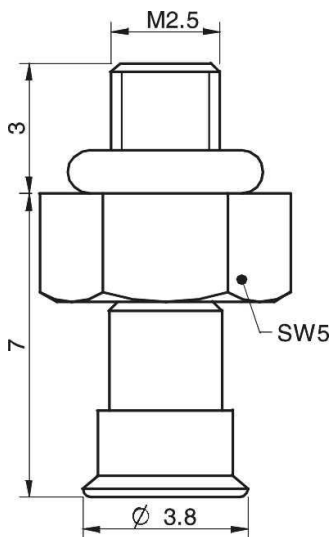
## Material

	Conductive Silicone (CSIL)
Colour	Black
Hardness	50 °Shore A
Temperature	-55 – 230 °C

## Material resistance

	Conductive Silicone (CSIL)
Alcohol	++
Concentrated acids	-
Ethanol	N/A
Hydrolysis	+
Methanol	N/A
Oil	-
Oxidation	+++
Petrol	-
Wear resistance	++
Weather and ozone	+++

## Dimensional drawings



## Values specified in the data sheet are tested at:

Room temperature	(20°C [68°F] ± 3°C [5.5°F])
Standard atmosphere	(101.3 [29.9 inHg] ± 1.0 kPa [0.3 inHg])
Relative humidity	0-100%
Compressed air quality	DIN ISO 8573-1 class 4

## Spare parts

	Item no.
Fitting M2.5 male	3250084
Suction cup U3 Conductive silicone	3150285SC