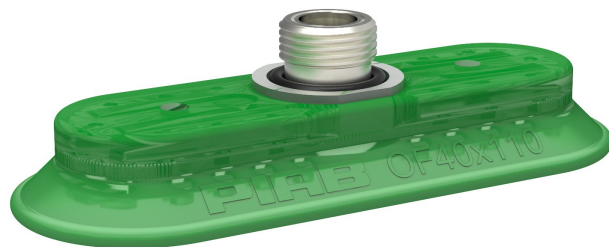


# Suction cup OF40x110P Polyurethane 60, thread insert G3/8" male, with mesh filter, 0108263



- Suitable for flat and rough surfaces.
- Fair stability and little inherent movement.
- Recommended when the lifting force is parallel to the surface of the object.
- Cleats prevent thin, sensitive objects from being deformed and give extra friction when the lifting force is parallel to the surface of the object.
- DURAFLEX® are suction cups manufactured in a specially developed material that features the elasticity of rubber and wear resistance of polyurethane. The material does not leave any marks on the objects handled.

## General

Curve radius	77 mm
Movement, vertical max.	3.1 mm
Application	Mark Free
Material	Polyurethane (PU60)
Suction cup model	OF
Suction cup shape	Oval Flat
Volume	21 cm <sup>3</sup>
Weight	48 g

## Fitting

Fitting size	3/8"
Fitting style	Male
Fitting type	G-thread
Fitting option	Filter mesh

## Dimension

Height	27.5 mm
Outer diameter	113 mm
Width	43 mm

## Performance — lifting forces

		
20 -kPa	74 N	98 N
60 -kPa	200 N	228 N
90 -kPa	303 N	410 N

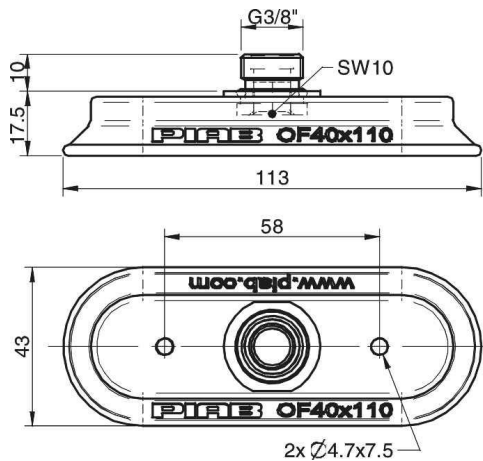
## Material

	Polyurethane (PU60)
Colour	Green transparent
Hardness	60 °Shore A
Temperature	10 – 50 °C

## Material resistance

	Polyurethane (PU60)
Alcohol	N/A
Concentrated acids	+
Ethanol	+
Hydrolysis	+
Methanol	-
Oil	+++
Oxidation	-
Petrol	+
Wear resistance	+++
Weather and ozone	+++

## Dimensional drawings



## Values specified in the data sheet are tested at:

Room temperature	(20°C [68°F] ± 3°C [5.5°F])
Standard atmosphere	(101.3 [29.9 inHg] ± 1.0 kPa [0.3 inHg])
Relative humidity	0-100%
Compressed air quality	DIN ISO 8573-1 class 4

## Spare parts

	Item no.
Suction cup OF40x110P Polyurethane 60	0109906
Thread insert G3/8" male, with O-ring and mesh filter	0107148

## Accessories

	Item no.
Suction cup OF40x110P Polyurethane 40	0109907