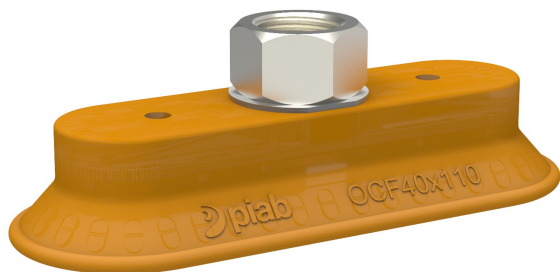


# Suction cup OCF40x110P Polyurethane 55/60, G3/8" female , 0122860



- Special designed friction cups for oily surfaces, such as sheets in metal forming processes.
- Normal wear on friction cup will not affect the long term shear force performance.
- Best choice if  $> 0,1\text{g/m}^2$  press oil is used on the sheet.
- Thanks to the strong grip on oily surfaces, the suction cups can withstand high shear forces, typically 2–4 times more than corresponding conventional suction cups.
- The "OCF" design is suitable for oblong objects with slightly curved or flat surfaces.
- Fitting option, male G3/8", with a swivel function prior to the locking operation, for easy positioning of the oval cup.
- DURAFLEX® suction cups manufactured in a specially developed material that features the elasticity of rubber and wear resistance of polyurethane. The material does not leave any marks on the objects handled.

## General

Specification	Dry metal sheet
Curve radius	42 mm
Movement, vertical max.	5 mm
Application	Oily sheet metal
Material	Polyurethane (PU55), Polyurethane (PU60)
Suction cup model	OCF-P
Suction cup shape	Oval Concave
Volume	34 cm <sup>3</sup>
Weight	55 g



## Fitting

Fitting size	3/8"
Fitting style	Female
Fitting type	G-thread
Fitting option	None

## Dimension

Height	35.5 mm
Length	113 mm
Width	43 mm

## Performance — lifting forces, Dry metal sheet

		
60 -kPa	178 N	167 N
90 -kPa	245 N	232 N

## Performance — lifting forces, Oily steel plate

		
60 -kPa	185 N	54 N
90 -kPa	246 N	78 N

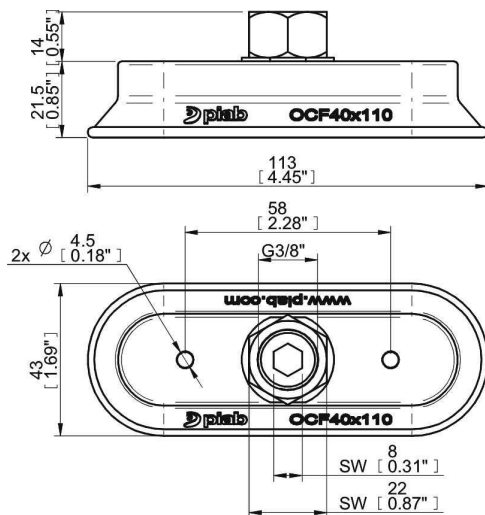
## Material

	Polyurethane (PU55)	Polyurethane (PU60)
Colour	Orange	Green transparent
Hardness	55 °Shore A	60 °Shore A
Temperature	10 – 50 °C	10 – 50 °C

## Material resistance

	Polyurethane (PU55)	Polyurethane (PU60)
Alcohol	N/A	N/A
Concentrated acids	+	+
Ethanol	+	+
Hydrolysis	+	+
Methanol	-	-
Oil	+++	+++
Oxidation	-	-
Petrol	+	+
Wear resistance	+++	+++
Weather and ozone	+++	+++

## Dimensional drawings



## Values specified in the data sheet are tested at:

Room temperature	(20°C [68°F] ± 3°C [5.5°F])
Standard atmosphere	(101.3 [29.9 inHg] ± 1.0 kPa [0.3 inHg])
Relative humidity	0-100%
Compressed air quality	DIN ISO 8573-1 class 4