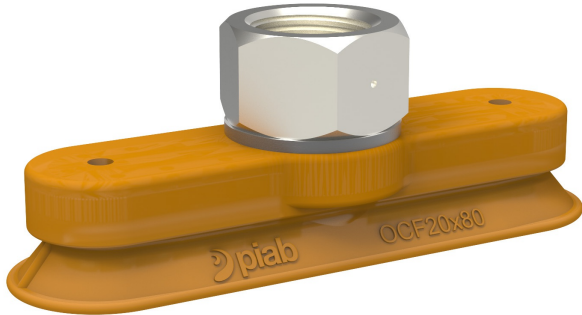


Suction cup OCF20x80P Polyurethane 55/60, G3/8" female

, 0122455



- Special designed friction cups for oily surfaces, such as sheets in metal forming processes.
- Normal wear on friction cup will not affect the long term shear force performance.
- Best choice if $> 0,1\text{g}/\text{m}^2$ press oil is used on the sheet.
- Thanks to the strong grip on oily surfaces, the suction cups can withstand high shear forces, typically 2–4 times more than corresponding conventional suction cups.
- The "OCF" design is suitable for oblong objects with slightly curved or flat surfaces.
- Fitting option, male G3/8", with a swivel function prior to the locking operation, for easy positioning of the oval cup.
- DURAFLEX® suction cups manufactured in a specially developed material that features the elasticity of rubber and wear resistance of polyurethane. The material does not leave any marks on the objects handled.

General

Specification	Dry metal sheet
Curve radius	20 mm
Movement, vertical max.	3 mm
Application	Oily sheet metal
Material	Polyurethane (PU55), Polyurethane (PU60)
Suction cup model	OCF-P
Suction cup shape	Oval Concave
Volume	15 cm ³
Weight	24 g



Fitting

Fitting size	3/8"
Fitting style	Female
Fitting type	G-thread
Fitting option	None

Dimension

Height	30.1 mm
Length	84 mm
Width	24 mm

Performance — lifting forces, Dry metal sheet

		
60 -kPa	75 N	78 N
90 -kPa	111 N	112 N

Performance — lifting forces, Oily steel plate

		
60 -kPa	82 N	35 N
90 -kPa	90 N	48 N

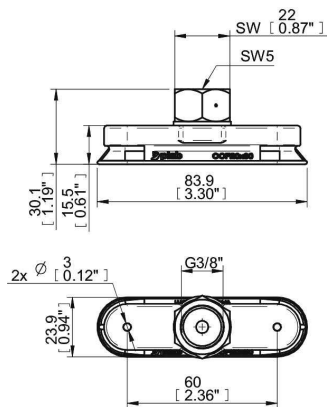
Material

	Polyurethane (PU55)	Polyurethane (PU60)
Colour	Orange	Green transparent
Hardness	55 °Shore A	60 °Shore A
Temperature	10 – 50 °C	10 – 50 °C

Material resistance

	Polyurethane (PU55)	Polyurethane (PU60)
Alcohol	N/A	N/A
Concentrated acids	+	+
Ethanol	+	+
Hydrolysis	+	+
Methanol	-	-
Oil	+++	+++
Oxidation	-	-
Petrol	+	+
Wear resistance	+++	+++
Weather and ozone	+++	+++

Dimensional drawings



Values specified in the data sheet are tested at:

Room temperature	(20°C [68°F] ± 3°C [5.5°F])
Standard atmosphere	(101.3 [29.9 inHg] ± 1.0 kPa [0.3 inHg])
Relative humidity	0-100%
Compressed air quality	DIN ISO 8573-1 class 4