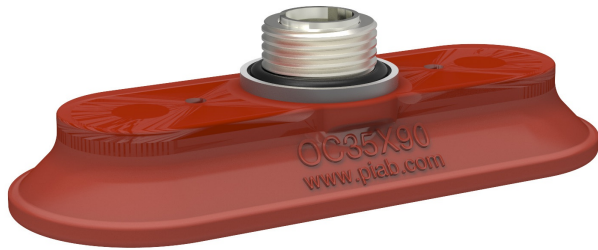


Suction cup OC35x90P Polyurethane 40, adjustable thread insert G3/8" male with mesh filter, 0115307



- Suitable for oblong objects with slightly domed or flat and oily surfaces, such as those encountered in body parts in the automotive industry.
- DURAFLEX® suction cups manufactured in a specially developed material that features the elasticity of rubber and wear resistance of polyurethane. The material does not leave any marks on the objects handled.
- Fitting option, male G3/8", with a swivel function prior to the locking operation, for easy positioning of the oval cup.

General

Movement, vertical max.	3 mm
Application	Mark Free
Material	Polyurethane (PU40)
Suction cup model	OC-P
Suction cup shape	Oval Concave
Volume	20 cm ³
Weight	27 – 40 g

Fitting

Fitting size	3/8"
Fitting style	Male
Fitting type	G-thread
Fitting option	Filter mesh

Dimension

Height	26 mm
Outer diameter	94 mm
Width	37 mm

Performance — lifting forces

		
20 -kPa	49 N	53 N
60 -kPa	117 N	112 N
90 -kPa	171 N	147 N

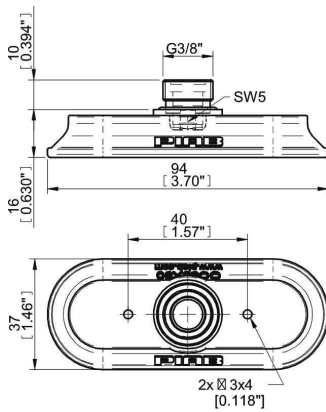
Material

	Polyurethane (PU40)
Colour	Red transparent
Hardness	40 °Shore A
Temperature	10 – 50 °C

Material resistance

	Polyurethane (PU40)
Alcohol	N/A
Concentrated acids	+
Ethanol	+
Hydrolysis	+
Methanol	-
Oil	+++
Oxidation	-
Petrol	+
Wear resistance	+++
Weather and ozone	+++

Dimensional drawings



Values specified in the data sheet are tested at:

Room temperature	(20°C [68°F] ± 3°C [5.5°F])
Standard atmosphere	(101.3 [29.9 inHg] ± 1.0 kPa [0.3 inHg])
Relative humidity	0-100%
Compressed air quality	DIN ISO 8573-1 class 4

Spare parts

	Item no.
Suction cup OC35x90P Polyurethane 40	0115306