

Suction cup OBF30x60P Polyurethane 60, G1/4" female , 0207737



- Special designed friction cups for oily surfaces, such as sheets in metal forming processes.
- Normal wear on friction cup will not affect the long term shear force performance.
- Best choice if $> 0,1\text{g}/\text{m}^2$ press oil is used on the sheet.
- Thanks to the strong grip on oily surfaces, the suction cups can withstand high shear forces, typically 2–4 times more than corresponding conventional suction cups.
- The "OBF" design is suitable for oblong objects with domed and flat surfaces, such as those encountered with body parts in the automotive industry.
- Can handle objects with height differences.
- DURAFLEX® suction cups manufactured in a specially developed material that features the elasticity of rubber and wear resistance of polyurethane. The material does not leave any marks on the objects handled.

General

| | |
|-------------------------|----------------------------|
| Specification | Dry metal sheet |
| Curve radius | 25 mm |
| Movement, vertical max. | 7 mm |
| Application | Oily sheet metal |
| Material | Polyurethane (PU60), Brass |
| Suction cup model | OBF |
| Suction cup shape | Oval Bellows |
| Volume | 9.1 cm ³ |
| Weight | 46 g |

Fitting

| | |
|----------------|----------|
| Fitting size | 1/4" |
| Fitting style | Female |
| Fitting type | G-thread |
| Fitting option | None |
| Material | Brass |

Dimension

| | |
|------------------|---------|
| Height | 33 mm |
| Length | 60 mm |
| Length, actuated | 60.5 mm |
| Width | 30 mm |
| Width, actuated | 30.6 mm |

Performance — lifting forces, Dry metal sheet

| | | |
|---------|---|---|
| |  |  |
| 60 -kPa | 60 N | 74 N |
| 90 -kPa | 80 N | 99 N |

Performance — lifting forces, Oily metal sheet

| |  |  |
|---------|---|---|
| 60 -kPa | 43 N | 32 N |
| 90 -kPa | 65 N | 45 N |

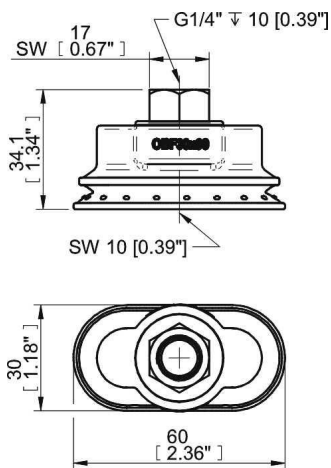
Material

| | |
|-------------|---------------------|
| | Polyurethane (PU60) |
| Colour | Orange |
| Hardness | 60 °Shore A |
| Temperature | 10 – 50 °C |

Material resistance

| | |
|--------------------|---------------------|
| | Polyurethane (PU60) |
| Alcohol | N/A |
| Concentrated acids | + |
| Ethanol | + |
| Hydrolysis | + |
| Methanol | - |
| Oil | +++ |
| Oxidation | - |
| Petrol | + |
| Wear resistance | +++ |
| Weather and ozone | +++ |

Dimensional drawings



Values specified in the data sheet are tested at:

| | |
|------------------------|--|
| Room temperature | (20°C [68°F] ± 3°C [5.5°F]) |
| Standard atmosphere | (101.3 [29.9 inHg] ± 1.0 kPa [0.3 inHg]) |
| Relative humidity | 0-100% |
| Compressed air quality | DIN ISO 8573-1 class 4 |