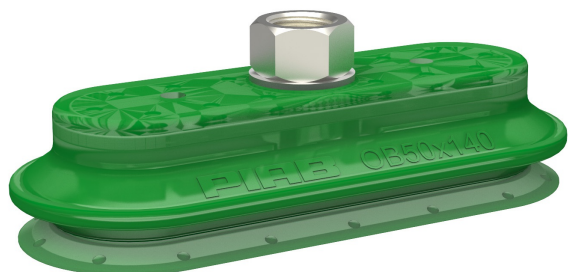


Suction cup OB50x140P Polyurethane 60, 3/8" NPSF female

, 0108674



- Suitable for level adjustment. Can handle objects with height differences and varying shapes, for example embossed or corrugated plates.
- Lifting movement to separate small and thin objects.
- In the two coloured suction cup, the bellows and the sealing lip are of different hardnesses, which makes the suction cup strong and stable and, at the same time, soft and flexible.
- DURAFLEX® are suction cups manufactured in a specially developed material that features the elasticity of rubber and wear resistance of polyurethane. The material does not leave any marks on the objects handled.

General

Curve radius	26 mm
Movement, vertical max.	11.3 mm
Application	Mark Free
Material	Polyurethane (PU60)
Suction cup model	OB
Suction cup shape	Oval Bellows
Volume	95 cm ³
Weight	129 g

Fitting

Fitting size	1/8"
Fitting style	Female
Fitting type	NPSF-thread
Fitting option	None

Dimension

Height	47.5 mm
Outer diameter	146 mm
Width	59 mm

Performance — lifting forces

		
20 -kPa	77 N	122 N
60 -kPa	231 N	292 N
90 -kPa	368 N	396 N

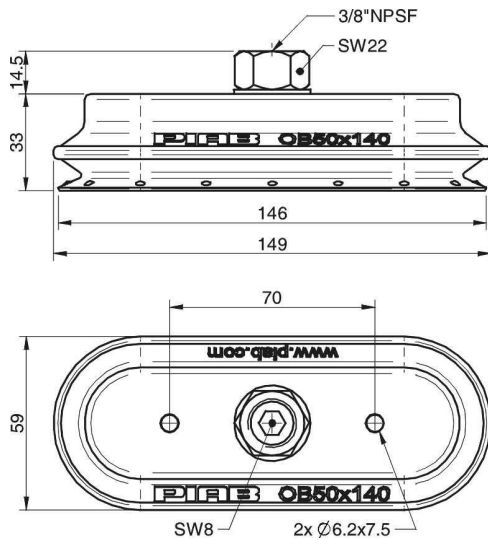
Material

	Polyurethane (PU60)
Colour	Green transparent
Hardness	60 °Shore A
Temperature	10 – 50 °C

Material resistance

	Polyurethane (PU60)
Alcohol	N/A
Concentrated acids	+
Ethanol	+
Hydrolysis	+
Methanol	-
Oil	+++
Oxidation	-
Petrol	+
Wear resistance	+++
Weather and ozone	+++

Dimensional drawings



Values specified in the data sheet are tested at:

Room temperature	(20°C [68°F] ± 3°C [5.5°F])
Standard atmosphere	(101.3 [29.9 inHg] ± 1.0 kPa [0.3 inHg])
Relative humidity	0-100%
Compressed air quality	DIN ISO 8573-1 class 4

Spare parts

	Item no.
Suction cup OB50x140P Polyurethane 60	0109914

Accessories

	Item no.
Suction cup OB50x140P Polyurethane 30/60	0109915

