

Suction cup D15-2 Silicone, 3150135S

- Suitable for objects with curved or irregular surfaces.
- Grips around corners and edges.



General

Curve radius	6 mm
Movement, vertical max.	3.2 mm
Application	Plastic injection molded parts
Material	Silicone (SIL)
Suction cup model	D
Suction cup shape	Deep
Volume	0.9 cm ³
Weight	1.2 g

Fitting

Fitting size	None
Fitting style	None
Fitting type	None
Fitting option	None

Dimension

Height	16.6 mm
Outer diameter	16 mm

Performance — lifting forces

		
20 -kPa	2.9 N	2.8 N
60 -kPa	7.8 N	6.3 N
90 -kPa	11 N	7 N

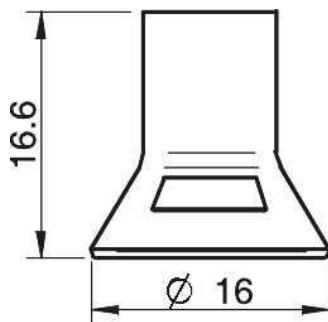
Material

	Silicone (SIL)
Colour	Red
Hardness	50 °Shore A
Temperature	-40 – 200 °C

Material resistance

	Silicone (SIL)
Alcohol	++
Concentrated acids	-
Ethanol	N/A
Hydrolysis	+
Methanol	N/A
Oil	-
Oxidation	+++
Petrol	-
Wear resistance	++
Weather and ozone	+++

Dimensional drawings



Values specified in the data sheet are tested at:

Room temperature	(20°C [68°F] ± 3°C [5.5°F])
Standard atmosphere	(101.3 [29.9 inHg] ± 1.0 kPa [0.3 inHg])
Relative humidity	0-100%
Compressed air quality	DIN ISO 8573-1 class 4

Accessories

	Item no.
Fitting M5 male, 10-15	3107030