

# Suction cup BL40-3P Polyurethane 30/70, 0112667

- High-flow fitting allowing high initial vacuum flow needed for plastic bag handling.
- Suitable for level adjustment and uneven surfaces.
- Dual hardness allowing strength and stability in conjunction with softness and flexibility.
- DURAFLEX® material features the elasticity of rubber in combination with the wear resistance of polyurethane.
- The DURAFLEX® material is mark-free.



## General

Curve radius	13 mm
Movement, vertical max.	21 mm
Application	Bag handling
Material	Polyurethane (PU30), Polyurethane (PU70)
Suction cup model	BL-3-P
Suction cup shape	Multibellows
Volume	27 cm <sup>3</sup>
Weight	12 g

## Fitting

Fitting size	None
Fitting style	None
Fitting type	None
Fitting option	None

## Dimension

Height	42.4 mm
Outer diameter	40 mm

## Performance — lifting forces

		
20 -kPa	20 N	13 N
60 -kPa	43 N	24 N
90 -kPa	55 N	36 N

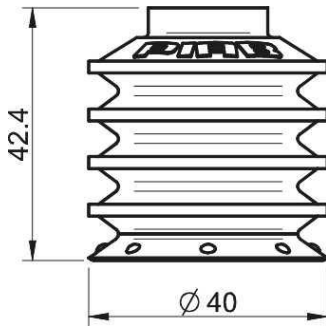
## Material

	Polyurethane (PU30)	Polyurethane (PU70)
Colour	Yellow	Black
Hardness	30 °Shore A	70 °Shore A
Temperature	10 – 50 °C	10 – 50 °C

## Material resistance

	Polyurethane (PU30)	Polyurethane (PU70)
Alcohol	N/A	N/A
Concentrated acids	+	+
Ethanol	+	+
Hydrolysis	+	+
Methanol	-	-
Oil	+++	+++
Oxidation	-	-
Petrol	+	+
Wear resistance	+++	+++
Weather and ozone	+++	+++

## Dimensional drawings



## Values specified in the data sheet are tested at:

Room temperature	(20°C [68°F] ± 3°C [5.5°F])
Standard atmosphere	(101.3 [29.9 inHg] ± 1.0 kPa [0.3 inHg])
Relative humidity	0-100%
Compressed air quality	DIN ISO 8573-1 class 4

## Accessories

	Item no.
Fitting G3/8" male, bag	0112662
Fitting 3/8" NPT male, bag	0112692