

# Suction cup BL40-2 Silicone, 0101120

- Suitable for level adjustment.
- Lifting movement to separate small and thin objects.
- Less suitable when the lifting force is parallel to the surface of the object.



## General

Curve radius	11 mm
Movement, vertical max.	33 mm
Application	Bag handling
Material	Silicone (SIL)
Suction cup model	BL-2
Suction cup shape	Multibellows
Volume	27 cm <sup>3</sup>
Weight	10 g

## Fitting

Fitting size	None
Fitting style	None
Fitting type	None
Fitting option	None

## Dimension

Height	42.4 mm
Outer diameter	40 mm

## Performance — lifting forces,

		
20 -kPa	1.1 N	8.9 N
60 -kPa	2.2 N	27.5 N

## Performance — lifting forces, reinforcement ring

	
20 -kPa	11 N
60 -kPa	22 N

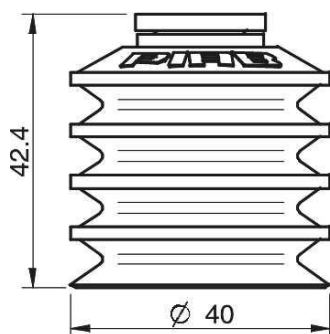
## Material

	Silicone (SIL)
Colour	Red
Hardness	50 °Shore A
Temperature	-40 – 200 °C

## Material resistance

	Silicone (SIL)
Alcohol	++
Concentrated acids	-
Ethanol	N/A
Hydrolysis	+
Methanol	N/A
Oil	-
Oxidation	+++
Petrol	-
Wear resistance	++
Weather and ozone	+++

## Dimensional drawings



## Values specified in the data sheet are tested at:

Room temperature	(20°C [68°F] ± 3°C [5.5°F])
Standard atmosphere	(101.3 [29.9 inHg] ± 1.0 kPa [0.3 inHg])
Relative humidity	0-100%
Compressed air quality	DIN ISO 8573-1 class 4

## Accessories

	Item no.
Fitting 1/4" NPT male, with dual flow control valve	3251008
Fitting 1/4" NPT male, with mesh filter	3250093
Fitting 1/8" NPSF female, 30-40	3250005
Fitting 1/8" NPSF female, 30-40, PA	3150197
Fitting 1/8" NPSF female, 30-40, with dual flow control valve	3251006
Fitting 1/8" NPSF female, 30-40, with mesh filter	0101153
Fitting 3/8" NPT male, with dual flow control valve	3251010
Fitting 3/8" NPT male, with mesh filter	3250089
Fitting 5x1/8" NPSF female, 30-40	0100261
Fitting 5x1/8" NPSF female, 30-40, with dual flow control valve	3251011
Fitting G1/4" male, 30-40, with mesh filter	3250091
Fitting G1/4" male, 30-40, with mesh filter and dual flow control valve	3251007
Fitting G1/8" male, 40, with mesh filter	0200714
Fitting G3/8" male, 30-40, with mesh and dual flow control valve	3251009
Fitting G3/8" male, 30-40, with mesh filter	3250086
Reinforcement ring 40-2	3150073