

Suction cup BL40-2 Chloroprene, 0101119

- Suitable for level adjustment.
- Lifting movement to separate small and thin objects.
- Less suitable when the lifting force is parallel to the surface of the object.



General

Curve radius	11 mm
Movement, vertical max.	33 mm
Application	Bag handling
Material	Chloroprene (CR)
Suction cup model	BL-2
Suction cup shape	Multibellows
Volume	27 cm ³
Weight	10 g

Fitting

Fitting size	None
Fitting style	None
Fitting type	None
Fitting option	None

Dimension

Height	42.4 mm
Outer diameter	40 mm

Performance — lifting forces,

		
20 -kPa	1.1 N	8.9 N
60 -kPa	2.2 N	27.5 N

Performance — lifting forces, reinforcement ring

	
20 -kPa	11 N
60 -kPa	22 N

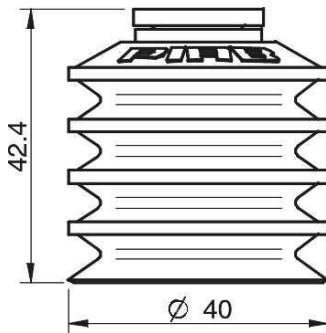
Material

	Chloroprene (CR)
Colour	Black
Hardness	50 °Shore A
Temperature	-40 – 110 °C

Material resistance

	Chloroprene (CR)
Alcohol	++
Concentrated acids	-
Ethanol	N/A
Hydrolysis	++
Methanol	N/A
Oil	+
Oxidation	++
Petrol	+
Wear resistance	+++
Weather and ozone	++

Dimensional drawings



Values specified in the data sheet are tested at:

Room temperature	(20°C [68°F] ± 3°C [5.5°F])
Standard atmosphere	(101.3 [29.9 inHg] ± 1.0 kPa [0.3 inHg])
Relative humidity	0-100%
Compressed air quality	DIN ISO 8573-1 class 4

Accessories

	Item no.
Fitting 1/4" NPT male, with dual flow control valve	3251008
Fitting 1/4" NPT male, with mesh filter	3250093
Fitting 1/8" NPSF female, 30-40	3250005
Fitting 1/8" NPSF female, 30-40, PA	3150197
Fitting 1/8" NPSF female, 30-40, with dual flow control valve	3251006
Fitting 1/8" NPSF female, 30-40, with mesh filter	0101153
Fitting 3/8" NPT male, with dual flow control valve	3251010
Fitting 3/8" NPT male, with mesh filter	3250089
Fitting 5x1/8" NPSF female, 30-40	0100261
Fitting 5x1/8" NPSF female, 30-40, with dual flow control valve	3251011
Fitting G1/4" male, 30-40, with mesh filter	3250091
Fitting G1/4" male, 30-40, with mesh filter and dual flow control valve	3251007
Fitting G1/8" male, 40, with mesh filter	0200714
Fitting G3/8" male, 30-40, with mesh and dual flow control valve	3251009
Fitting G3/8" male, 30-40, with mesh filter	3250086
Reinforcement ring 40-2	3150073