

Suction cup BL20-2 Silicone, 0101116

- Suitable for level adjustment.
- Lifting movement to separate small and thin objects.
- Less suitable when the lifting force is parallel to the surface of the object.



General

Curve radius	4 mm
Movement, vertical max.	13 mm
Application	Bag handling
Material	Silicone (SIL)
Suction cup model	BL-2
Suction cup shape	Multibellows
Volume	4 cm ³
Weight	3 g

Fitting

Fitting size	None
Fitting style	None
Fitting type	None
Fitting option	None


Dimension

Height	22.9 mm
Outer diameter	20 mm

Performance — lifting forces,

		
20 -kPa	0.32 N	2.1 N
60 -kPa	0.62 N	4.1 N

Performance — lifting forces, reinforcement ring

	
20 -kPa	3.2 N
60 -kPa	6.2 N

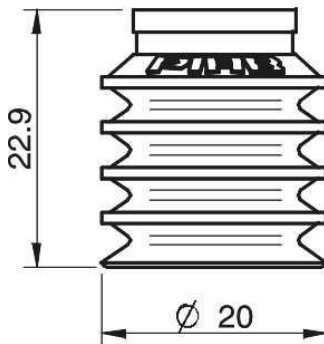
Material

	Silicone (SIL)
Colour	Red
Hardness	50 °Shore A
Temperature	-40 – 200 °C

Material resistance

	Silicone (SIL)
Alcohol	++
Concentrated acids	-
Ethanol	N/A
Hydrolysis	+
Methanol	N/A
Oil	-
Oxidation	+++
Petrol	-
Wear resistance	++
Weather and ozone	+++

Dimensional drawings



Values specified in the data sheet are tested at:

Room temperature	(20°C [68°F] ± 3°C [5.5°F])
Standard atmosphere	(101.3 [29.9 inHg] ± 1.0 kPa [0.3 inHg])
Relative humidity	0-100%
Compressed air quality	DIN ISO 8573-1 class 4

Accessories

	Item no.
Fitting M5 female, with dual flow control valve	3251001
Fitting M5 female	3250003
Fitting G1/8" male/M5 female, with mesh filter	0101152
Fitting G1/8" male/M5 female, with dual flow control valve	3251004
Fitting G1/8" male/M5 female, PA	3150196
Fitting G1/8" male/M5 female	3250004
Fitting G1/8" male, with mesh filter	3250085
Fitting 5xM5 female, with dual flow control valve	3251005
Fitting 5xM5 female	0100260
Fitting 1/8" NPT male, with mesh filter	3250088
Fitting 1/8" NPT male, with dual flow control valve	3251003
Reinforcement ring 20-2	3150071