

Suction cup B10XP Polyurethane 30/60, 0204978



- Suitable for limited level adjustment with good stability.
- Excellent gripping performance on corrugated and porous or surface leaking objects such as cardboard, textured plastic parts and composite material (raw surface)
- In the two-coloured suction cup the bellows and the sealing lip are of different hardnesses, which makes the suction cup strong and stable for accelerations and speed, at the same time, soft and flexible.
- DURAFLEX® suction cups manufactured in a specially developed material that features the elasticity of rubber and wear resistance of polyurethane.
- The material DURAFLEX® is mark free.

General

Curve radius	4 mm
Movement, vertical max.	3 mm
Application	Plastic injection molded parts, Corrugated / cardboard
Material	Polyurethane (PU30), Polyurethane (PU60)
Suction cup model	B-XP
Suction cup shape	Bellows
Volume	0.19 cm ³
Weight	0.6 g

Fitting

Fitting size	None
Fitting style	None
Fitting type	None
Fitting option	None

Dimension

Height	13.9 mm
Outer diameter	11 mm

Performance — lifting forces

		
20 -kPa	2.6 N	1 N
60 -kPa	3.8 N	2 N
90 -kPa	4.5 N	2.5 N

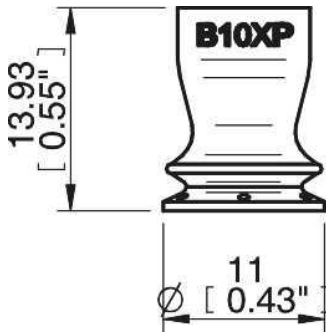
Material

	Polyurethane (PU30)	Polyurethane (PU60)
Colour	Yellow	Green transparent
Hardness	30 °Shore A	60 °Shore A
Temperature	10 – 50 °C	10 – 50 °C

Material resistance

	Polyurethane (PU30)	Polyurethane (PU60)
Alcohol	N/A	N/A
Concentrated acids	+	+
Ethanol	+	+
Hydrolysis	+	+
Methanol	-	-
Oil	+++	+++
Oxidation	-	-
Petrol	+	+
Wear resistance	+++	+++
Weather and ozone	+++	+++

Dimensional drawings



Values specified in the data sheet are tested at:

Room temperature	(20°C [68°F] ± 3°C [5.5°F])
Standard atmosphere	(101.3 [29.9 inHg] ± 1.0 kPa [0.3 inHg])
Relative humidity	0-100%
Compressed air quality	DIN ISO 8573-1 class 4

Accessories

	Item no.
Fitting M5 male, 10-15	3107030