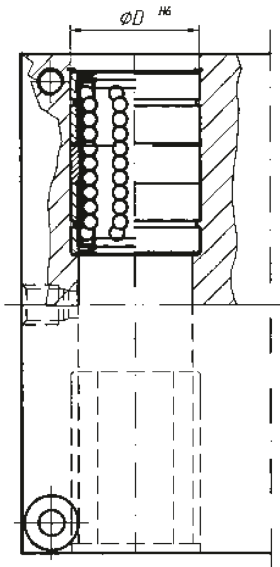
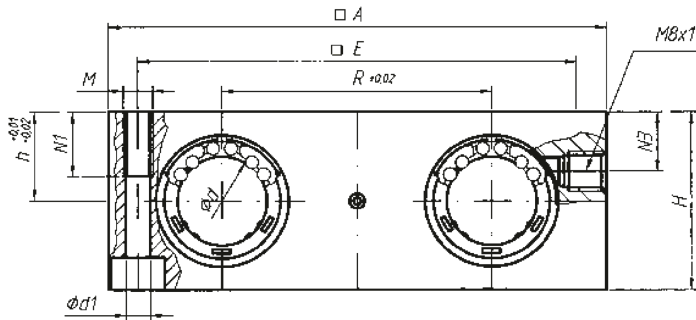


QAG Linear Housing Unit



quadro closed
integrated wipers on both ends
lubrication hole M8 x1
specials to be inquired



Dimensions in mm

Part-No.	$\varnothing d$	$\varnothing D$	A	H	h	E	N1	N3	R	$\varnothing d1$	M	weight (kg)
QAG-08	8	16	65	23	11,5	55	11	8	32	4,3	M5	0,23
QAG-12	12	22	85	32	16	73	13	13	42	5,3	M6	0,52
QAG-16	16	26	100	36	18	88	13	15	54	5,3	M6	0,78
QAG-20	20	32	130	46	23	115	18	19	72	6,8	M8	1,74
QAG-25	25	40	160	56	28	140	22	24	88	9	M10	3,13
QAG-30	30	47	180	64	32	158	26	27	96	10,5	M12	4,43
QAG-40	40	62	230	80	40	202	34	35	122	13,5	M16	8,70

- load ratings according to the specification of the bearing (x4)
- weight value considering the linear ball bushing, standard
- the bushings are secured in the housings by retaining rings DIN 472
- fixing screws DIN 912 - 8.8, circlip DIN 7980

Ordering code

QAG-	\varnothing -	S-	V
linear housing, quadro, closed	shaft diameter	S linear ball bushing, self-aligning, high load capacity (refer to page 25) K linear ball bushing, standard (refer to p. 20) V linear ball bushing, all-steel (refer to page 21) KS linear ball bushing, standard, self-aligning (refer to page 24) FM linear slide bushing, self-lubricating (ref. to p. 27) L linear slide bushing, ceramic	external front seal