

Rectangular Suction Cups

BONDY

INDUSTRIAL EQUIPMENT SUPPLIER

For ordering and questions call

(+45) 70 15 14 14

Rectangular Bellows Long suction cup

S.RBL20X45P60.G14F.00



- ▶ Special rectangular-bellow design to suit oblong products in flow packs, such as candy bars.
- ▶ Suitable for major level adjustment. Can handle objects with large height differences.
- ▶ Exceptional elastic memory, no compression set.
- ▶ DURAFLEX are suction cups manufactured in a specially developed material that features the elasticity of rubber and excellent wear resistance of polyurethane.
- ▶ Swivel fitting option, prior to the locking operation, for easy positioning of the oval-rectangular cup.

Lifting force

Description	Vertical			Parallel		
	6 -inHg	18 -inHg	27 -inHg	6 -inHg	18 -inHg	27 -inHg
Lifting forces	3.4 lbf	5.8 lbf	9.0 lbf	4.7 lbf	7.4 lbf	12.8 lbf

Technical data

Description	Unit	Value
Internal volume	in ³	0.54
Weight	oz	0.48
Min. curve radius -60 kPa	in	0.59
Max. vertical movement	in	0.24
Application	-	Bag handling, Bag opening/thin paper - slip sheets/film, Mark Free,
Material	-	Polyurethane, PUR
Colour	-	Green transparent
Suction cup model	-	RBL
Suction cup shape	-	Rectangular Bellows Long
Hardness °Shore A	-	hardness_60
Temperature range (°C)	°F	50-122
Actuated outer dimensions, Max	in	0.81x1.81

Fitting specification

Description	Value
Fitting size	1/4"
Fitting style	Female
Fitting type	G-Thread
Fitting material	Al
Fitting option	None

Material resistance , Polyurethane, PUR

Description	Value
-------------	-------

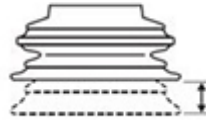
Alcohol	Fair
Concentrated Acids	Fair
Ethanol	Fair
Hydrolysis	Fair
Methanol	Poor
Oil	Excellent
Oxidation	Poor
Petrol	Fair
Wear Resistance	Excellent
Weather & Ozone	Excellent

Values specified in data sheet are tested at:

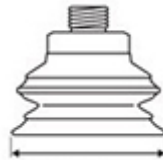
- Room temperature (20°C [68°F] ± 3°C [5.5°F]).
- Standard atmosphere (101.3 [29.9 inHg] ± 1.0 kPa [0.3 inHg]).
- Relative humidity 20-70%.
- Compressed air quality, DIN ISO 8573-1 class 4.



Internal volume



Max. vertical movement

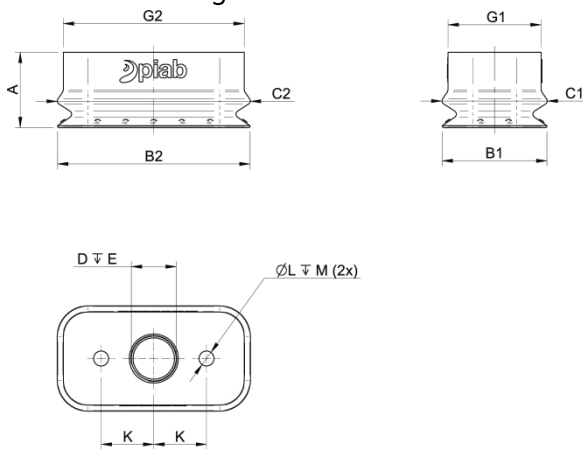


Dimension lip



Min. curve radius -60 kPa

Dimensional drawing



Product code	Description	Unit	Value
A	Building height	mm [inch]	28.6 [1.13"]
B1	Dimension lip	mm [inch]	20.0 [0.79"]
B2	Dimension lip	mm [inch]	45.3 [1.78"]
C1	Dimension bellow	mm [inch]	20.2 [0.80"]
C2	Dimension bellow	mm [inch]	45.5 [1.79"]
D	Thread	-	G1/4"
E	Thread height	mm [inch]	9.5 [0.37"]
G1	Dimension upper part cup	mm [inch]	16.7 [0.66"]
G2	Dimension upper part cup	mm [inch]	42.0 [1.65"]
K	Lock pin position	mm [inch]	15.0 [0.59"]
L	Lock pin diameter	mm [inch]	4.3 [0.17"]
M	Lock pin depth	mm [inch]	1.5 [0.06"]

Ordering information

Description	Product code
Rectangular Bellows Long suction cup, 20x45mm, Polyurethane, PUR, 60 °Shore A, G-Thread, 1/4", Female, None	S.RBL20X45P60.G14F.00

Ordering information, spare parts

Description	Art. No.
Suction cup RBL20x45 with load support	0208593

Ordering information, accessories

Description	Art. No.
Fitting kit G1/8" male, Swivel	0223051

Rectangular Bellows Long suction cup

S.RBL30X55P60.G14F.00



- ▶ Special rectangular-bellow design to suit oblong products in flow packs, such as candy bars.
- ▶ Suitable for major level adjustment. Can handle objects with large height differences.
- ▶ Exceptional elastic memory, no compression set.
- ▶ DURAFLEX are suction cups manufactured in a specially developed material that features the elasticity of rubber and excellent wear resistance of polyurethane.
- ▶ Swivel fitting option, prior to the locking operation, for easy positioning of the oval-rectangular cup.

Lifting force

Description	Vertical			Parallel		
	20 -kPa	60 -kPa	90 -kPa	20 -kPa	60 -kPa	90 -kPa
Lifting forces	23.0 N	56.0 N	85.0 N	20.0 N	40.0 N	52.0 N

Technical data

Description	Unit	Value
Internal volume	cm ³	18.1
Weight	g	27
Min. curve radius -60 kPa	mm	28.0
Max. vertical movement	mm	7.0
Application	-	Bag handling, Bag opening/thin paper - slip sheets/film, Mark Free,
Material	-	Polyurethane, PUR
Colour	-	Green transparent
Suction cup model	-	RBL
Suction cup shape	-	Rectangular bellows long
Hardness °Shore A	-	60 °Shore A
Temperature range (°C)	°C	10-50
Actuated outer dimensions, Max	mm	30.8x56.0

Fitting specification

Description	Value
Fitting size	1/4"
Fitting style	Female
Fitting type	G-Thread
Fitting material	Al
Fitting option	None

Material resistance , Polyurethane, PUR

Description	Value
-------------	-------

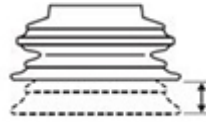
Alcohol	Fair
Concentrated Acids	Fair
Ethanol	Fair
Hydrolysis	Fair
Methanol	Poor
Oil	Excellent
Oxidation	Poor
Petrol	Fair
Wear Resistance	Excellent
Weather & Ozone	Excellent

Values specified in data sheet are tested at:

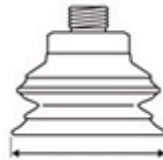
- Room temperature (20°C [68°F] ± 3°C [5.5°F]).
- Standard atmosphere (101.3 [29.9 inHg] ± 1.0 kPa [0.3 inHg]).
- Relative humidity 20-70%.
- Compressed air quality, DIN ISO 8573-1 class 4.



Internal volume



Max. vertical movement

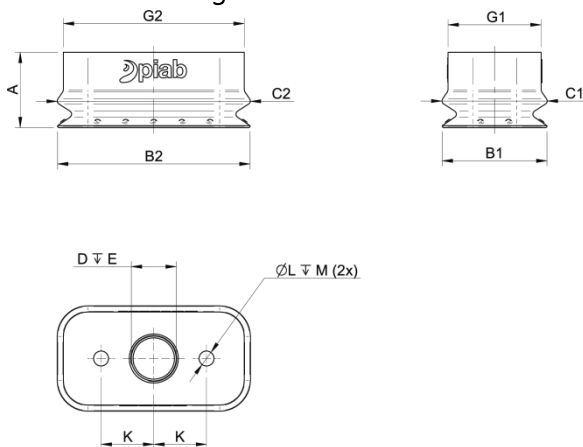


Dimension lip



Min. curve radius -60 kPa

Dimensional drawing



Product code	Description	Unit	Value
A	Building height	mm [inch]	28.6 [1.13"]
B1	Dimension lip	mm [inch]	29.8 [1.17"]
B2	Dimension lip	mm [inch]	54.8 [2.16"]
C1	Dimension bellow	mm [inch]	29.3 [1.15"]
C2	Dimension bellow	mm [inch]	54.3 [2.14"]
D	Thread	-	G1/4"
E	Thread height	mm [inch]	9.5 [0.37"]
G1	Dimension upper part cup	mm [inch]	26.5 [1.04"]
G2	Dimension upper part cup	mm [inch]	51.5 [2.03"]
K	Lock pin position	mm [inch]	15.0 [0.59"]
L	Lock pin diameter	mm [inch]	4.3 [0.17"]
M	Lock pin depth	mm [inch]	1.5 [0.06"]

Ordering information

Description	Product code
Rectangular Bellows Long suction cup, 30x55mm, Polyurethane, PUR, 60 °Shore A, G-Thread, 1/4", Female, None	S.RBL30X55P60.G14F.00

Ordering information, spare parts

Description	Art. No.
Suction cup RBL30x55 with load support	0211594

Ordering information, accessories

Description	Art. No.
Fitting kit G1/8" male, Swivel	0223051

Rectangular Bellows Long suction cup

S.RBL60X60P60.G14F.00



- ▶ Special square-shaped bellow cup. For parcel handling and full layer depalletizing.
- ▶ Form factor makes it easy to assemble cups very close together giving high lifting capacity.
- ▶ Good for most materials except plastic bags with poor filling rate.
- ▶ Suitable for major level adjustment. Can handle objects with large height differences.
- ▶ Exceptional elastic memory, no compression set.
- ▶ DURAFLEX are suction cups manufactured in a specially developed material that features the elasticity of rubber and excellent wear resistance of polyurethane.
- ▶ Swivel fitting option, prior to the locking operation, for easy positioning of the oval-rectangular cup.

Lifting force

Description	Vertical			Parallel		
	20 -kPa	60 -kPa	90 -kPa	20 -kPa	60 -kPa	90 -kPa
Lifting forces	50.8 N	129.8 N	180.8 N	19.4 N	35.9 N	42.6 N

Technical data

Description	Unit	Value
Internal volume	cm ³	47.0
Weight	g	61
Min. curve radius -60 kPa	mm	80.0
Max. vertical movement	mm	15.1
Application	-	Bag handling, Bag opening/thin paper - slip sheets/film, Corrugated / cardboard, Mark Free,
Material	-	Polyurethane, PUR
Colour	-	Green transparent
Suction cup model	-	RBL
Suction cup shape	-	Rectangular bellows long
Hardness °Shore A	-	60 °Shore A
Temperature range (°C)	°C	10-50
Actuated outer dimensions, Max	mm	61x61

Fitting specification

Description	Value
Fitting size	1/4"
Fitting style	Female
Fitting type	G-Thread
Fitting material	Al, NBR
Fitting option	None

Material resistance , Polyurethane, PUR

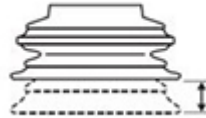
Description	Value
Alcohol	Fair
Concentrated Acids	Fair
Ethanol	Fair
Hydrolysis	Fair
Methanol	Poor
Oil	Excellent
Oxidation	Poor
Petrol	Fair
Wear Resistance	Excellent
Weather & Ozone	Excellent

Values specified in data sheet are tested at:

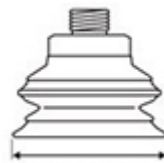
- Room temperature (20°C [68°F] ± 3°C [5.5°F]).
- Standard atmosphere (101.3 [29.9 inHg] ± 1.0 kPa [0.3 inHg]).
- Relative humidity 20-70%.
- Compressed air quality, DIN ISO 8573-1 class 4.



Internal volume



Max. vertical movement

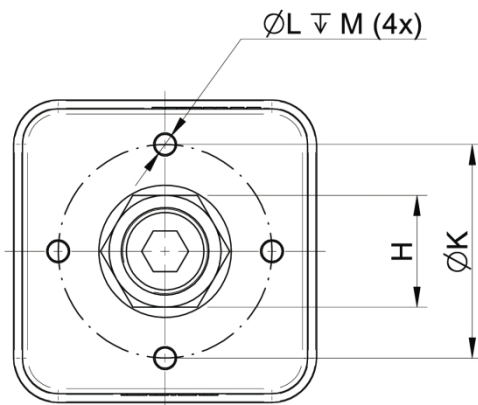
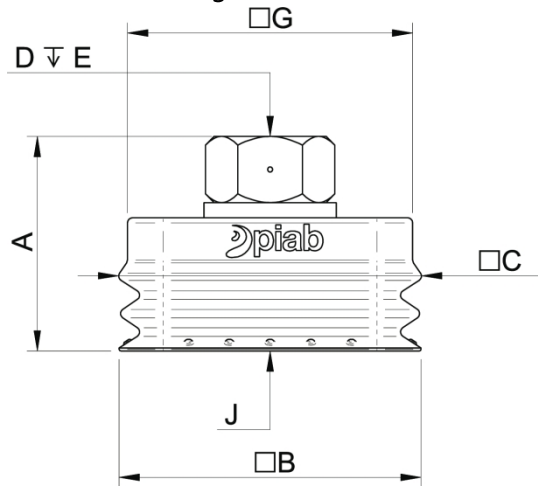


Dimension lip



Min. curve radius -60 kPa

Dimensional drawing



Product code	Description	Unit	Value
A	Building height	mm [inch]	42.2 [1.66"]
B	Dimension lip	mm [inch]	59.3 [2.33"]
C	Dimension bellow	mm [inch]	58.8 [2.31"]
D	Thread	-	G1/4"
E	Thread height	mm [inch]	10.0 [0.39"]
G	Dimension upper part cup	mm [inch]	56.0 [2.20"]
H	Keygrip	mm	SW 17
J	Hex/torx grip	mm	SW 8
K	Lock pin position	mm [inch]	42.0 [1.65"]
L	Lock pin diameter	mm [inch]	4.0 [0.16"]
M	Lock pin depth	mm [inch]	6.0 [0.24"]

Ordering information

Description	Product code
Rectangular Bellows Long suction cup, 60x60mm, Polyurethane, PUR, 60 °Shore A, G-Thread, 1/4", Female, None	S.RBL60X60P60.G14F.00

BONDY

INDUSTRIAL EQUIPMENT SUPPLIER



Transmission



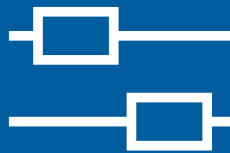
Handling



Motor & Gear



Vacuum Conveying



Linear



Support

See our products and solutions at

www.bondy.dk

For ordering and questions call (+45) 70 15 14 14