

# Ixtur MAP-6 og MAP-40 Magnets

# BONDY

INDUSTRIAL EQUIPMENT SUPPLIER

For ordering and questions call

**(+45) 70 15 14 14**

# MAP-6, MAP-40

## Pneumatic magnets

11/2018



**Ixtur MAP magnets are pneumatically controlled neodymium permanent magnets, which have excellent size to gripping capacity ratio and extremely low residual gripping force.**

The magnets do not change their magnetic state in case of loss of compressed air.

The compact size combined with high gripping force provides high versatility. MAP series magnets are maintenance-free and have short cycle time, allowing high production speed and efficient automation.

The magnets can be used in various applications: lifters, robot grippers, fixtures, production automation, etc.

### TECHNICAL SPECIFICATIONS

Model	Lifting capacity WLL [kg]	Gripping capacity [kg] [N]		Residual capacity, max. [kg]	Weight [kg]	Dimensions Ø x H [mm]	Pneumatic hose outer dia. [mm]	Operating temperature [°C]	Air pressure: functional range [bar]	Minimum cycle time [s]
MAP-6	6*	18*	177*	0.03	0.19	35 x 35	4.0	0 ... 50	5 ... 8	< 1
MAP-40	40**	120**	1177**	0.20	0.95	65 x 50	6.0			

\* plate thickness  $\geq$  4 mm

\*\* plate thickness  $\geq$  8 mm

Lifting capacity is determined with a safety factor of 3.

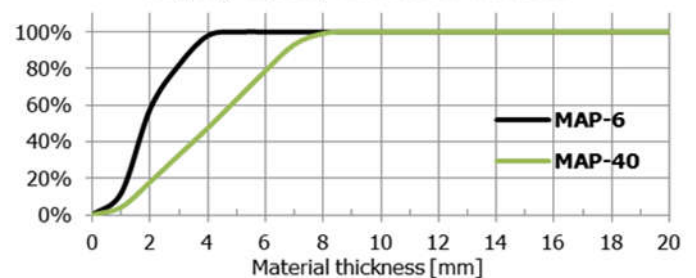
Ixtur magnets can handle perforated material and they can be used in any orientation needed, so it's possible to handle objects with various shapes and angles.

The nominal gripping capacities can be obtained with the material thicknesses stated above. The magnets can be used with thinner materials, please see the graphs on the right for gripping capacities for different material thicknesses. The given gripping capacities are valid for mild steel (S355).

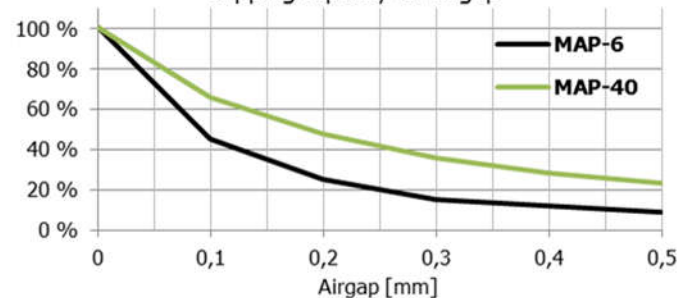
Requirements for compressed air: Water separation, particle filter  $\leq$  5  $\mu$ m

More information: [www.ixtur.com](http://www.ixtur.com)

Gripping capacity vs. material thickness



Gripping capacity vs. airgap



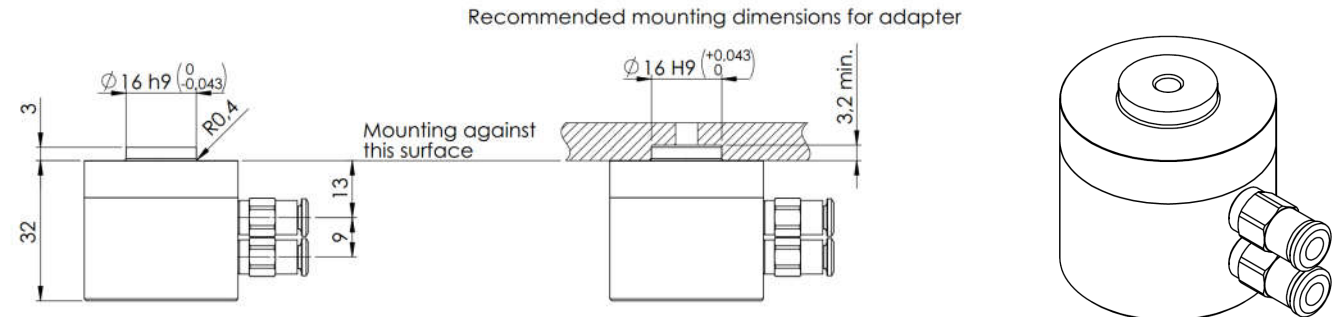
**Company** • Ixtur Ltd. is a Finnish magnet technology company established in 2010. Ixtur develops and manufactures permanent magnet based lifters, grippers and custom-er applications for machinery, welding, automation, robotics and material handling. Ixtur is focused on energy-efficient magnet components and applications.

**IXTUR®**

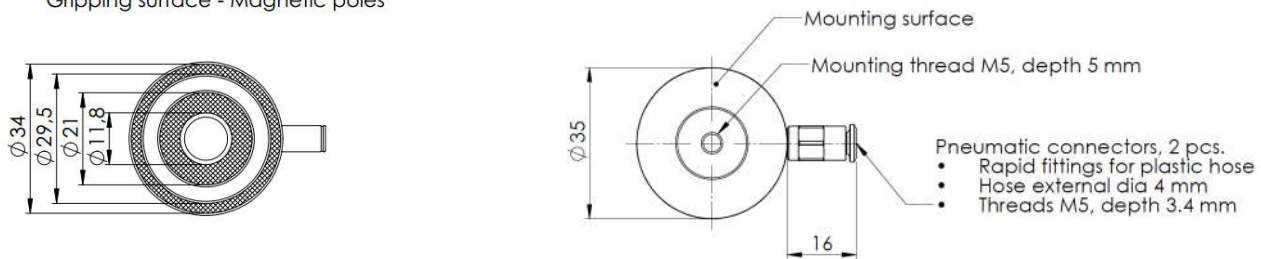
# MAP-6, MAP-40

## Pneumatic magnets

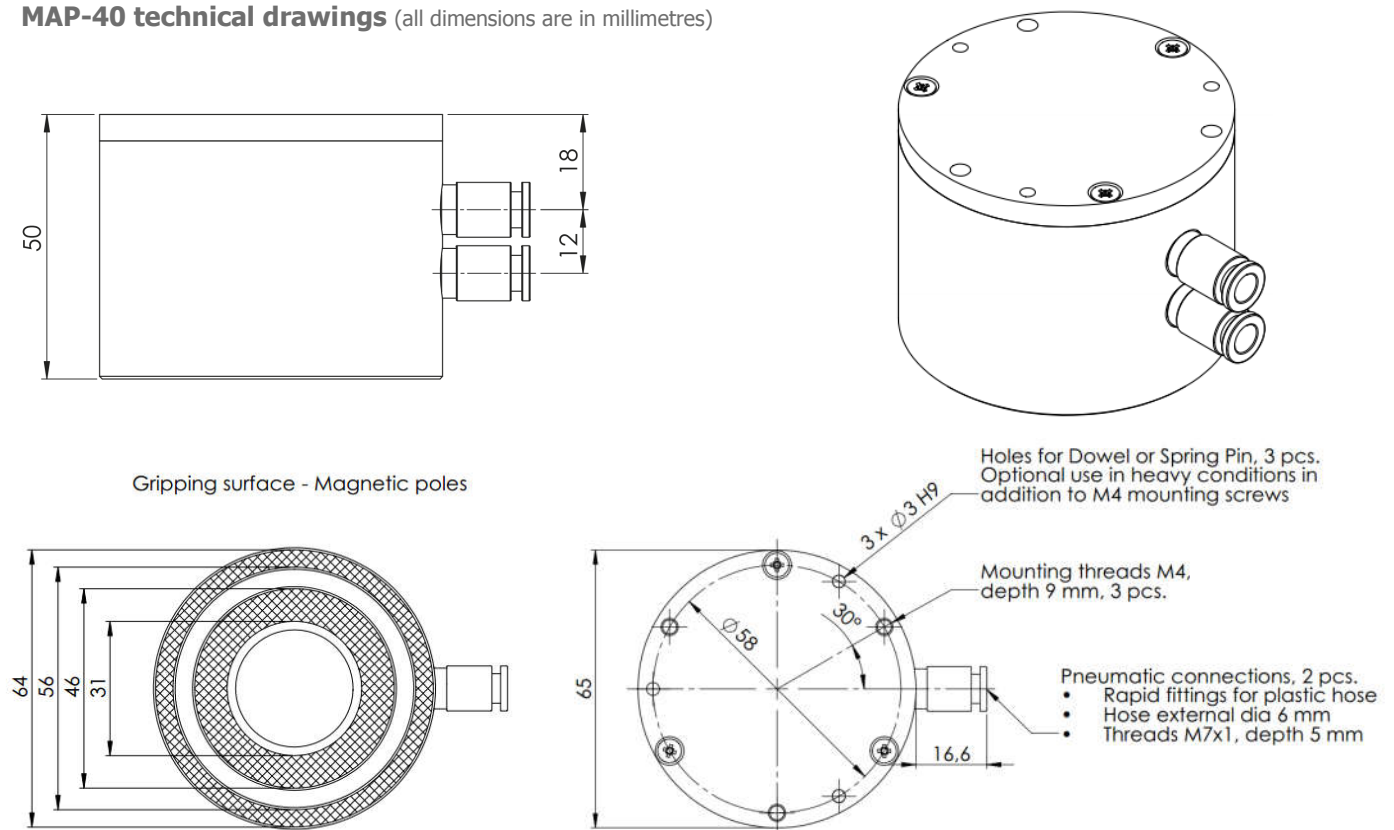
### MAP-6 technical drawings (all dimensions are in millimetres)



### Gripping surface - Magnetic poles



### MAP-40 technical drawings (all dimensions are in millimetres)



**Company** • Ixtur Ltd. is a Finnish magnet technology company established in 2010. Ixtur develops and manufactures permanent magnet based lifters, grippers and custom applications for machinery, welding, automation, robotics and material handling. Ixtur is focused on energy-efficient magnet components and applications.

**IXTUR®**

# BONDY

INDUSTRIAL EQUIPMENT SUPPLIER



**Transmission**



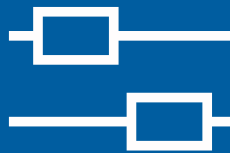
**Handling**



**Motor & Gear**



**Vacuum Conveying**



**Linear**



**Support**

See our products and solutions at

**[www.bondy.dk](http://www.bondy.dk)**

For ordering and questions call (+45) 70 15 14 14