

Harmonic Drive Gear PHD-C

BONDY

INDUSTRIAL EQUIPMENT SUPPLIER

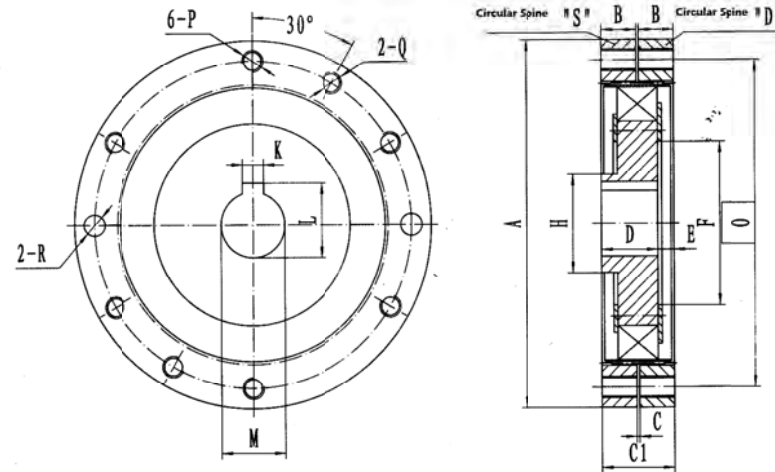
For ordering and questions call

(+45) 70 15 14 14

Size	Trans-Ratio	Max.Input speed		Inputspeed3000rpm			Inputspeed1500rpm		
		Semifluid grease	Oil	Output torque N.m	Output Speed rpm	Input Power kw	Output torque N.m	Output Speed rpm	Input Power kw
25	64	3500	8000	1.2	46.9	0.009			
32	64	3500	6000	3	46.9	0.023			
	80			3.5	37.5	0.022			
40	66	3500	6000	8	45.5	0.060			
	102			10	29.4	0.051			
50	80	3500	5000	15	37.5	0.096			
	84			15	35.7	0.092			
	100			18	30	0.092			
	120			20	25	0.085			
	126			20	23.8	0.081			
60	80	3000	5000	25	37.5	0.160			
	100			30	30	0.154			
	120			32	25	0.137			
	150			36	20	0.134			
	160			36	18.8	0.126			
80	80	3000	4500	55	37.5	0.353			
	100			70	30	0.359			
	135			80	22.1	0.332			
	160			85	18.8	0.297			
	200			85	15	0.238			
100	80	3000	4500	100	37.5	0.641			
	84			100	35.7	0.610			
	100			120	30	0.615			
	125			135	24	0.554			
	160			150	18.8	0.524			
	168			150	17.9	0.499			
120	80	2500	3500	180	37.5	1.154			
	100			220	30	1.128			
	120			250	25	1.068			
	150			280	20	1.044			
	160			280	18.8	0.979			
	200			280	17.9	0.783			
160	80	1750	1750				480	18.8	1.420
	100						540	15	1.278
	135						625	11.2	1.148
	160						650	9.4	1.041
	200						650	7.5	0.833
200	80	1500	1500				900	18.8	2.663
	100						950	15	2.249
	125						1000	12	1.985
	168						1000	8.9	1.57
	200						1000	7.5	1.374

Model Parameters and drawing:

PHD-C Pancake-Type Harmonic Drive Reducer Component Sets



Dimensions(mm)

Size	Ratio	A (g6)	B	C	C1	D	E	F	H	K (J59)	L L	M (H7)	O	P	Q	R (H7)
25	64	Φ40	4.5	0.5	9.5	7	2.5	Φ12	Φ11	2	7 (+0.1, 0)	Φ6	Φ34	M3	M3	Φ3
32	64; 80	Φ50	5	0.5	10.5	8	2.5	Φ16	Φ15	3	11.4 (+0.1, 0)	Φ10	Φ43	M3	M3	Φ3
40	66; 80; 102	Φ60	6	0.5	12.5	9.5	3	Φ21	20	4	13.8 (+0.1, 0)	Φ12	Φ51	M4	M4	Φ4
50	80; 84; 100;	Φ70	7	0.5	14.5	11.5	3	Φ25	Φ24	5	16.3 (+0.1, 0)	Φ14	Φ62	M4	M4	Φ4
60	100; 120; 150	Φ85	8	0.5	16.5	13	3.5	Φ30	Φ28	6	20.8 (+0.1, 0)	Φ18	Φ75	M5	M5	Φ5
	80; 160	Φ87	8	0.5	16.5	13	3.5	Φ30	Φ28	6	20.8 (+0.1, 0)	Φ18	Φ77	M5	M5	Φ5
80	80; 100; 135;	Φ115	10	0.5	20.5	16.5	4	Φ48	Φ36	6	20.8 (+0.1, 0)	Φ18	Φ100	M6	M6	Φ6
100	80; 84; 100;	Φ135	13	1	27	21	6	Φ58	Φ36	8	27.3 (+0.2, 0)	Φ24	Φ120	M8	M8	Φ8
120	80; 100; 120;	Φ170	16	1	33	25.5	7.5	Φ72	Φ36	8	27.3 (+0.2, 0)	Φ24	Φ150	M10	M10	Φ10
160	80; 100; 135;	Φ220	22	1	45	34.5	10.5	Φ94	Φ56	12	43.3 (+0.2, 0)	Φ40	Φ195	M12	M12	Φ12
200	80; 100; 125;	Φ270	26	1	53	41.5	11.5	Φ114	Φ110	14	53.8 (+0.2, 0)	Φ50	Φ240	M16	M16	Φ16

BONDY

INDUSTRIAL EQUIPMENT SUPPLIER



Transmission



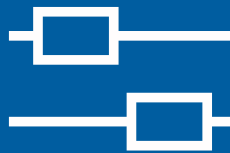
Handling



Motor & Gear



Vacuum Conveying



Linear



Support

See our products and solutions at

www.bondy.dk

For ordering and questions call (+45) 70 15 14 14