

# Harmonic Drive Gear CHS-IV

# BONDY

INDUSTRIAL EQUIPMENT SUPPLIER

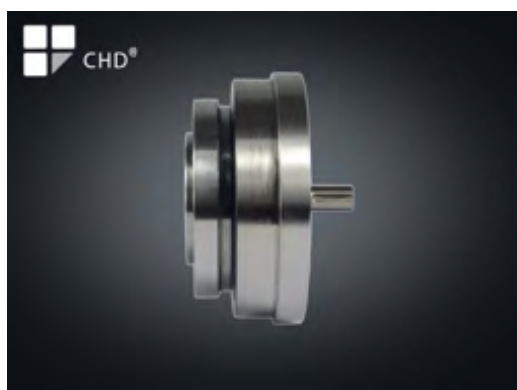
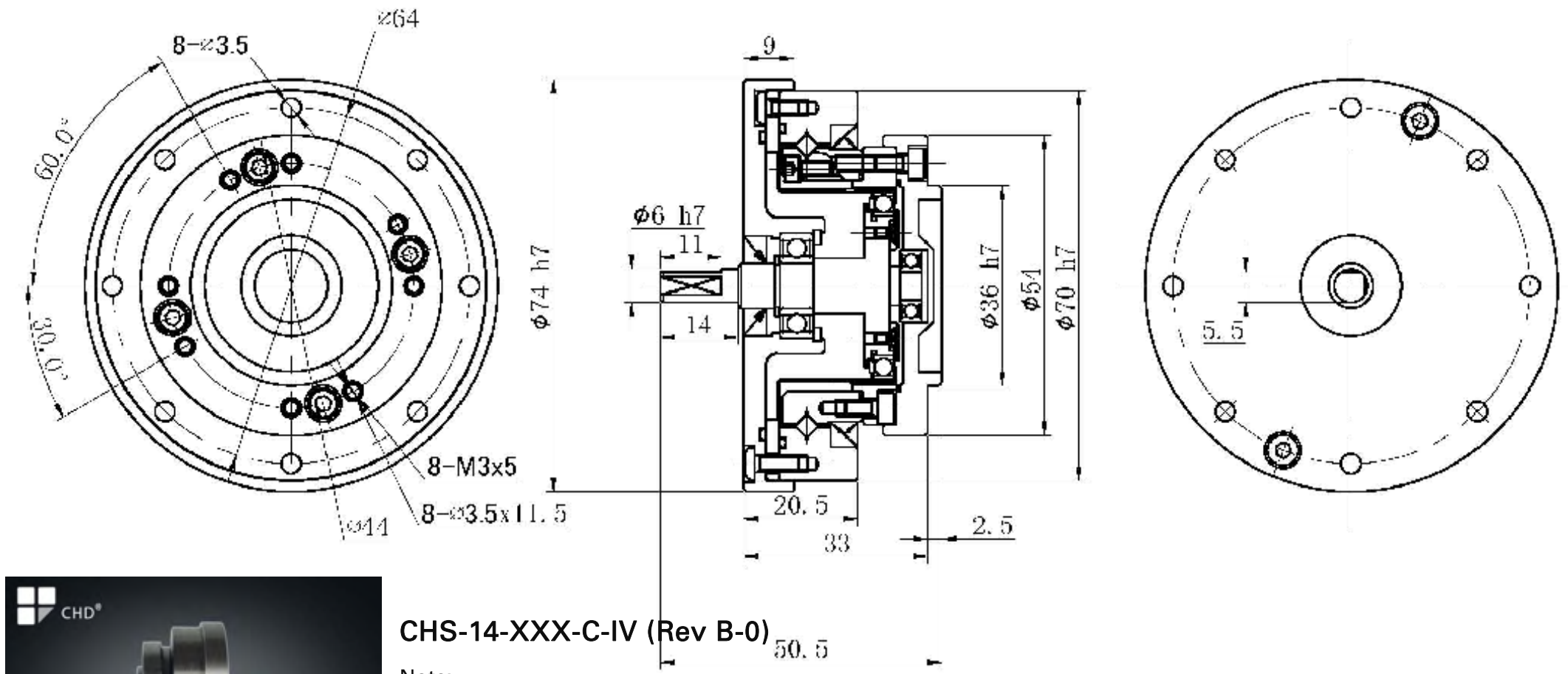
For ordering and questions call

**(+45) 70 15 14 14**

### Parameters for CHS-IV series of reducer

Size	Trans-Ratio	Rated Torque	Allowable Peak	Allowable	Allowable Max	Max Input	Allowable Average	Back lash	With Max	Weight	Design life
		2000 r/min	Torque Start&Stop	Average Torque	Momentary Torque		Input Speed				
		N.m	N.m	N.m	N.m	r/min	r/min	Arc sec	N	Kg	Hour
14	30	3.8	8.6	7.8	16	8000	3500	≤20	≤26	0.65	10000
	50	5.1	17	6.6	33			≤20			10000
	80	7.4	22	10.5	45			≤10			15000
	100	7.4	27	10.5	51			≤10			15000
17	30	8.4	15.2	11.5	29	7000	3500	≤20	≤32	0.92	10000
	50	15.2	32	25	66			≤20			10000
	80	21	41	26	83			≤10			15000
	100	23	51	37	104			≤10			15000
	120	23	51	37	82			≤10			15000
20	30	14	26	19	48	6000	3500	≤20	≤58	1.36	10000
	50	24	53	32	93			≤20			10000
	80	32	70	45	121			≤10			15000
	100	38	78	47	140			≤10			15000
	120	38	83	47	140			≤10			15000
	160	38	87	47	140			≤10			15000
25	30	26	48	36	90	5500	3500	≤20	≤71	2.05	10000
	50	37	93	52	177			≤20			10000
	80	60	130	83	242			≤10			15000
	100	64	149	103	270			≤10			15000
	120	64	159	103	289			≤10			15000
	160	64	167	103	298			≤10			15000
32	30	51	95	71	190	4500	3500	≤20	≤114	4.35	10000
	50	72	205	103	363			≤20			10000
	80	112	289	159	540			≤10			15000
	100	130	316	205	615			≤10			15000
	120	130	335	205	652			≤10			15000
	160	130	353	205	652			≤10			15000
40	50	130	382	186	652	4000	3000	≤20	≤294	6.45	10000
	80	196	493	270	931			≤10			15000
	100	252	540	353	1026			≤10			15000
	120	279	586	428	1121			≤10			15000
	160	279	615	428	1121			≤10			15000

# Model Parameters and drawing:



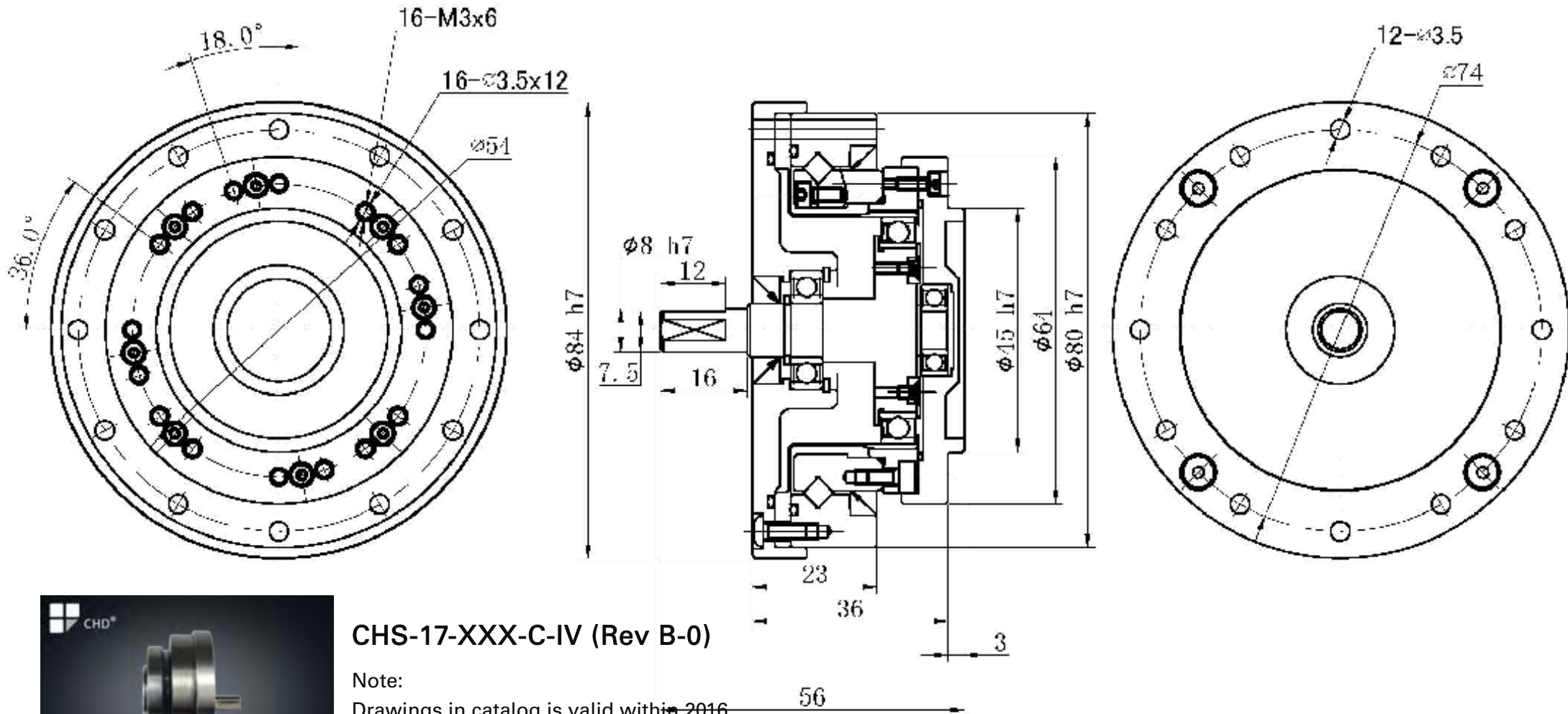
**CHS-14-XXX-C-IV (Rev B-0)**

Note:

Drawings in catalog is valid within 2016  
 Order dimension according to final drawing according to customer confirmation  
 If there is update in drawing details, which will not be notified in catalog

**Please avoid using minimum safety dimension when assembling with rigid spline**

# Model Parameters and drawing:



**CHS-17-XXX-C-IV (Rev B-0)**

Note:

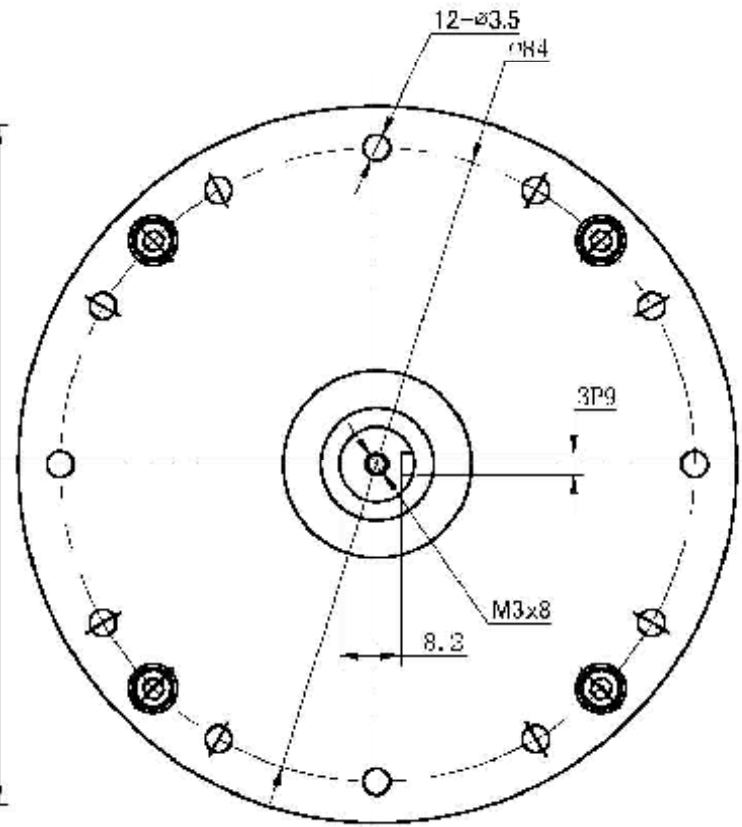
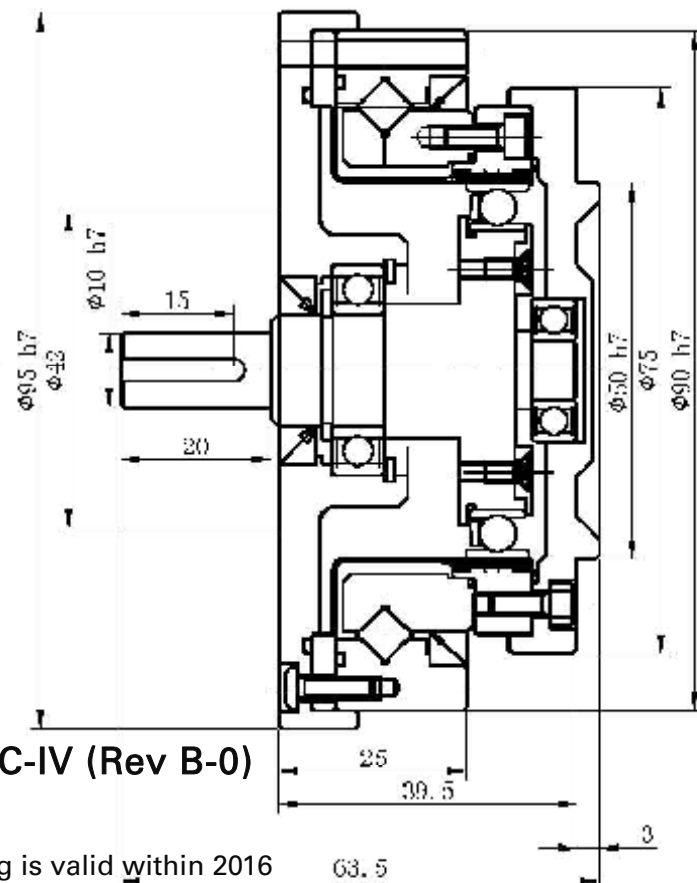
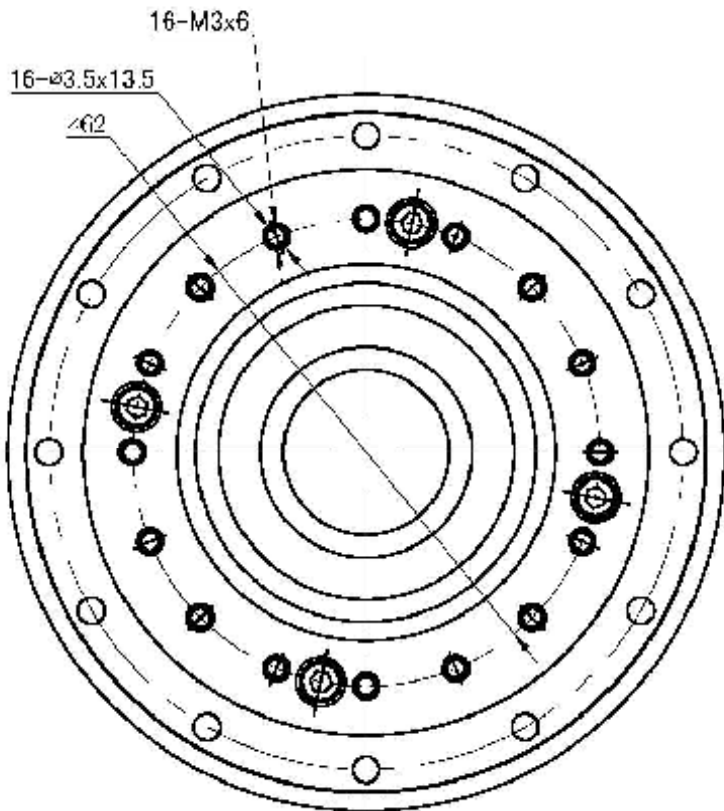
Drawings in catalog is valid within 2016

Order dimension according to final drawing according to customer confirmation

If there is update in drawing details, which will not be notified in catalog

**Please avoid using minimum safety dimension when assembling with rigid spline**

# Model Parameters and drawing:



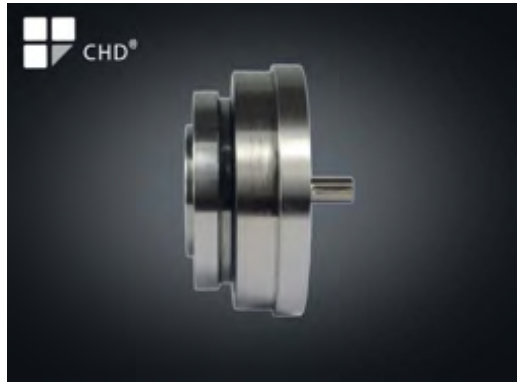
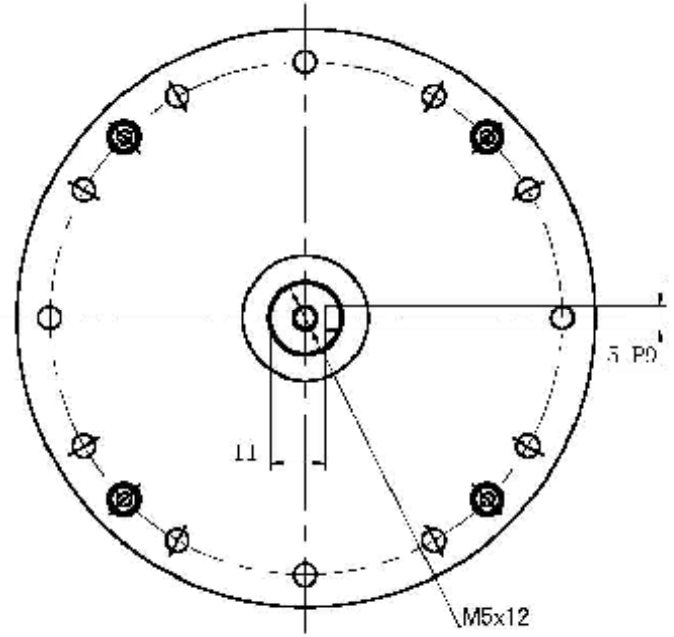
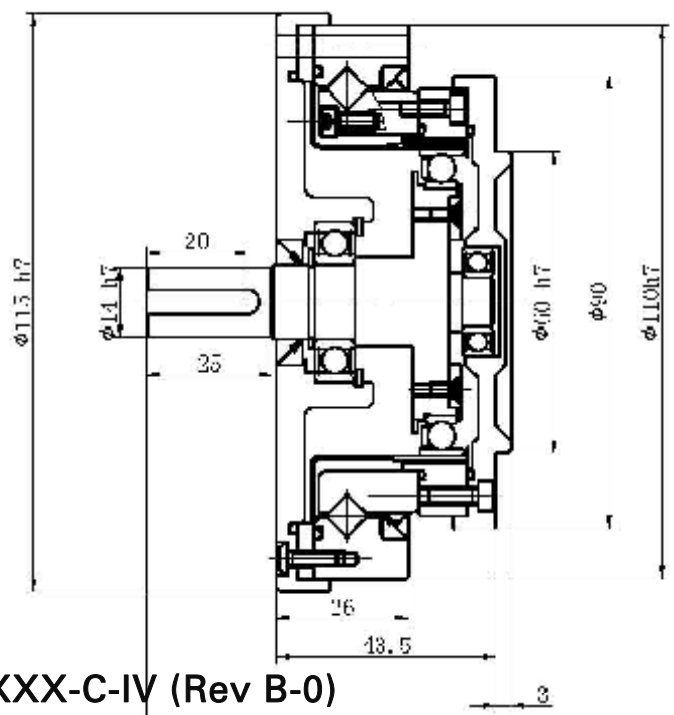
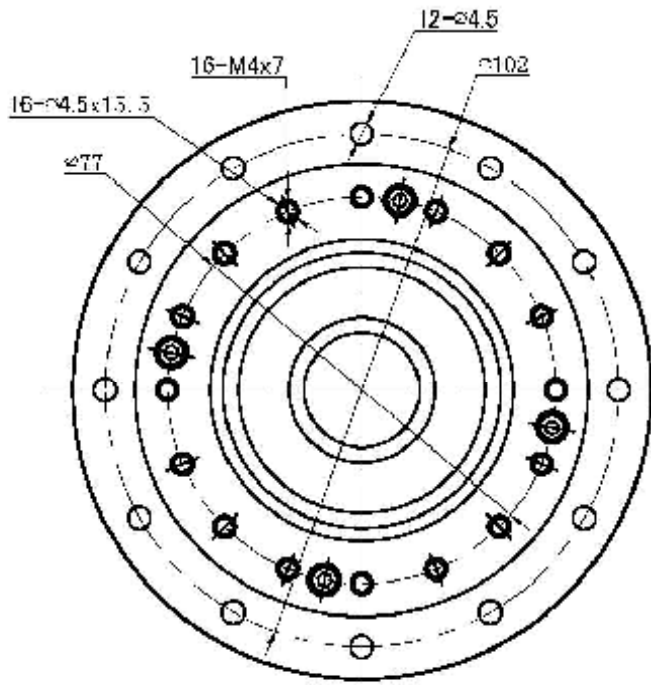
**CHS-20-XXX-C-IV (Rev B-0)**

Note:

Drawings in catalog is valid within 2016  
 Order dimension according to final drawing according to customer confirmation  
 If there is update in drawing details, which will not be notified in catalog

**Please avoid using minimum safety dimension when assembling with rigid spline**

# Model Parameters and drawing:



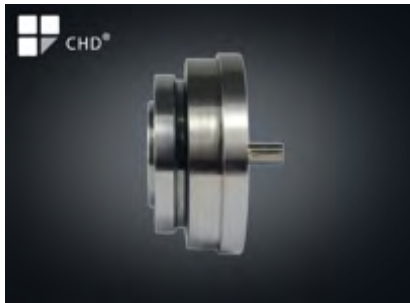
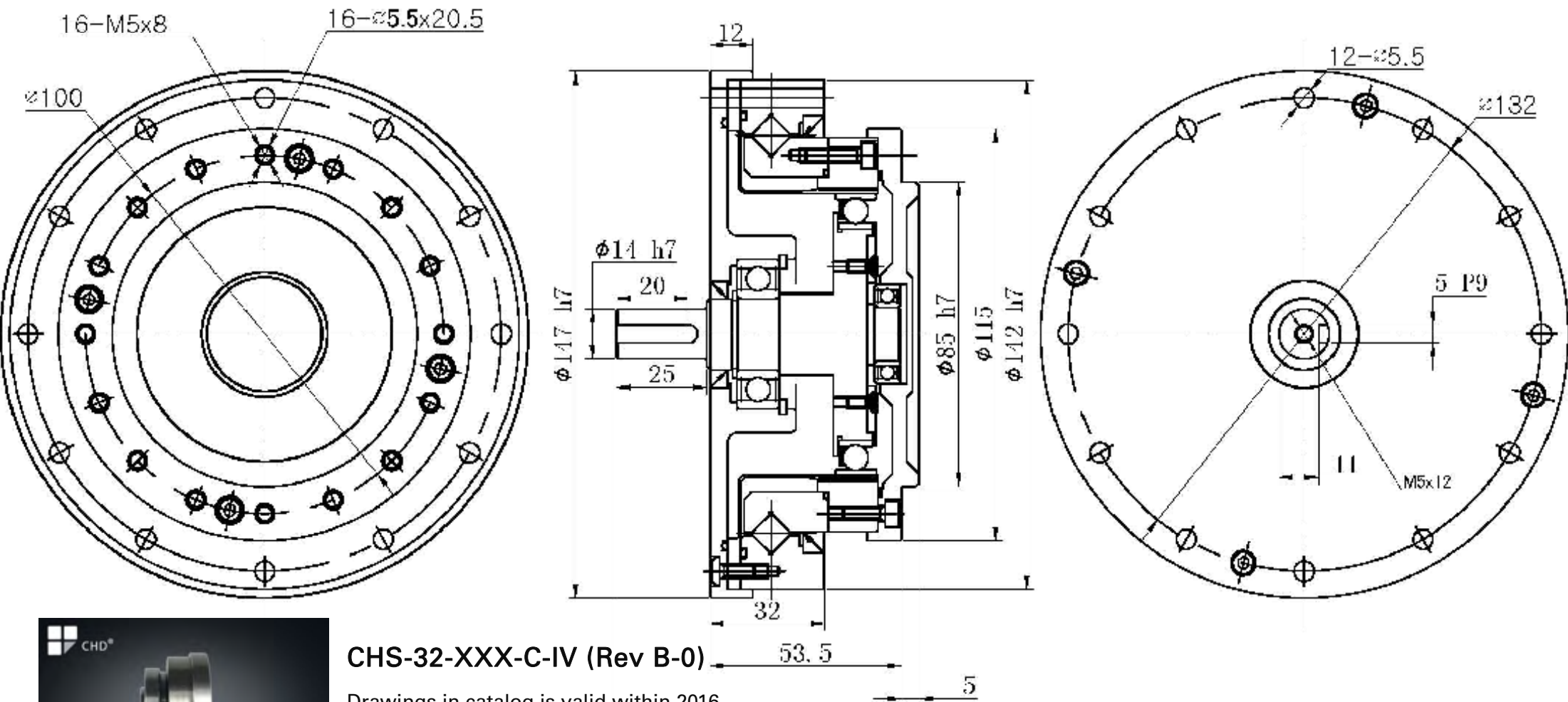
**CHS-25-XXX-C-IV (Rev B-0)**

Note:

Drawings in catalog is valid within 2016  
 Order dimension according to final drawing according to customer confirmation  
 If there is update in drawing details, which will not be notified in catalog

**Please avoid using minimum safety dimension when assembling with rigid spline**

# Model Parameters and drawing:



**CHS-32-XXX-C-IV (Rev B-0)**

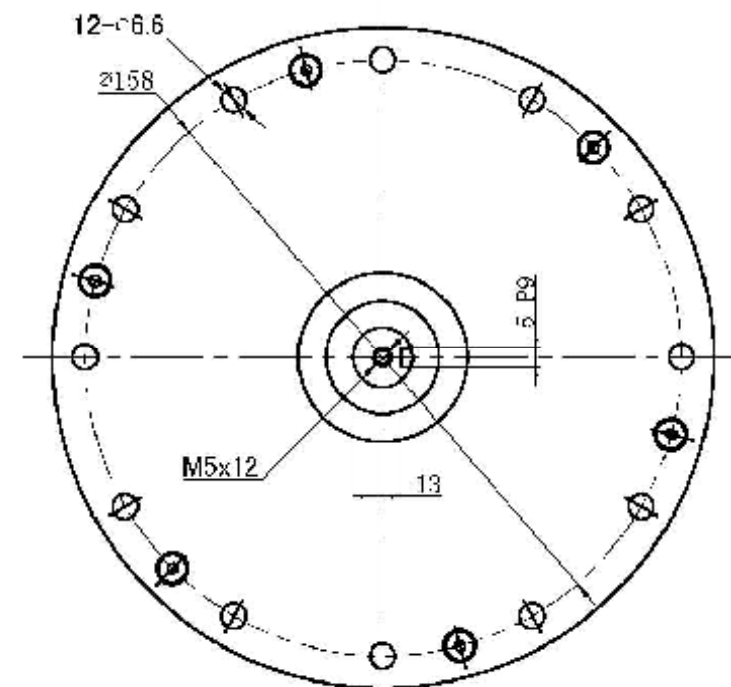
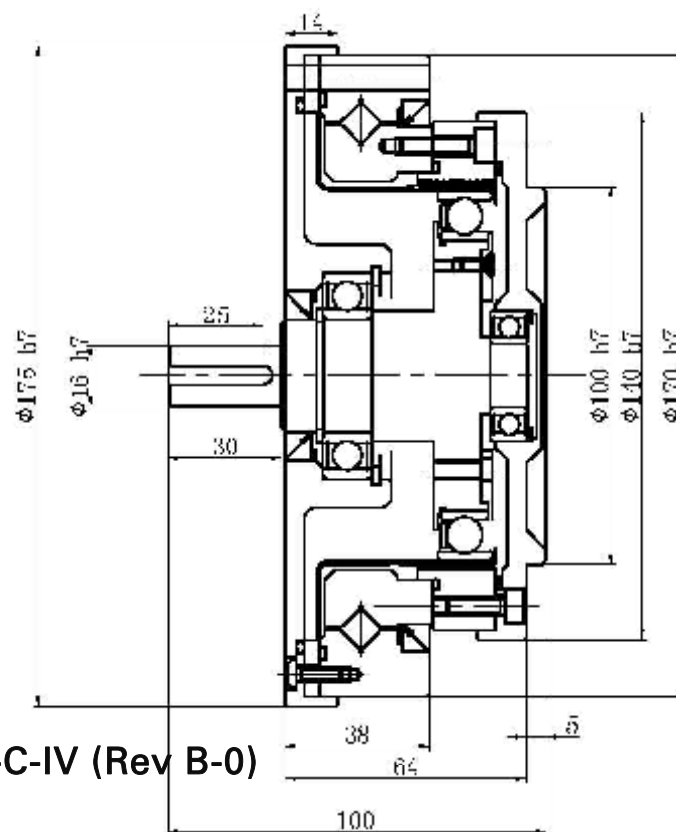
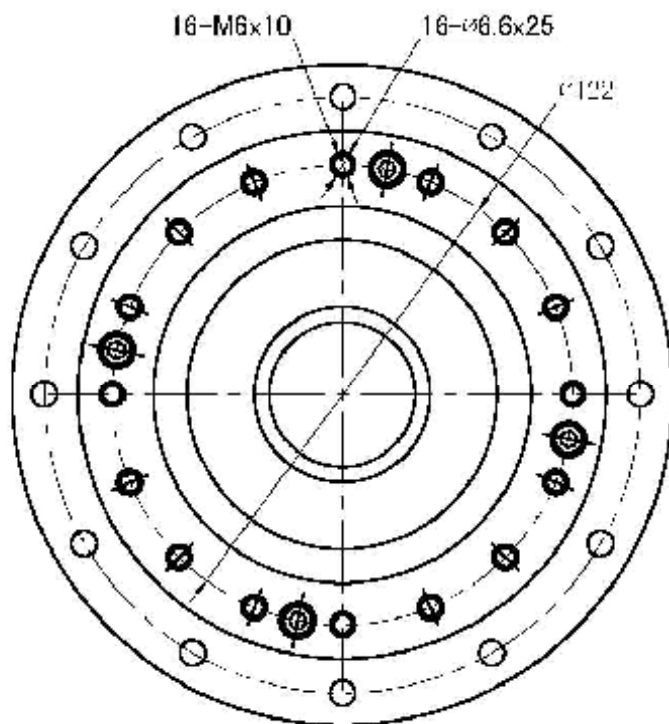
Drawings in catalog is valid within 2016

Order dimension according to final drawing according to customer confirmation

If there is update in drawing details, which will not be notified in catalog

**Please avoid using minimum safety dimension when assembling with rigid spline**

# Model Parameters and drawing:



## CHS-40-XXX-C-IV (Rev B-0)

Note:

Drawings in catalog is valid within 2016

Order dimension according to final drawing according to customer confirmation

If there is update in drawing details, which will not be notified in catalog

Please avoid using minimum safety dimension when assembling with rigid spline



# BONDY

INDUSTRIAL EQUIPMENT SUPPLIER



**Transmission**



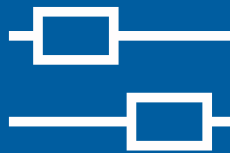
**Handling**



**Motor & Gear**



**Vacuum Conveying**



**Linear**



**Support**

See our products and solutions at

**[www.bondy.dk](http://www.bondy.dk)**

For ordering and questions call (+45) 70 15 14 14