

Nidec DC-Motors

BONDY

INDUSTRIAL EQUIPMENT SUPPLIER

For ordering and questions call

(+45) 70 15 14 14

DMN29 Series



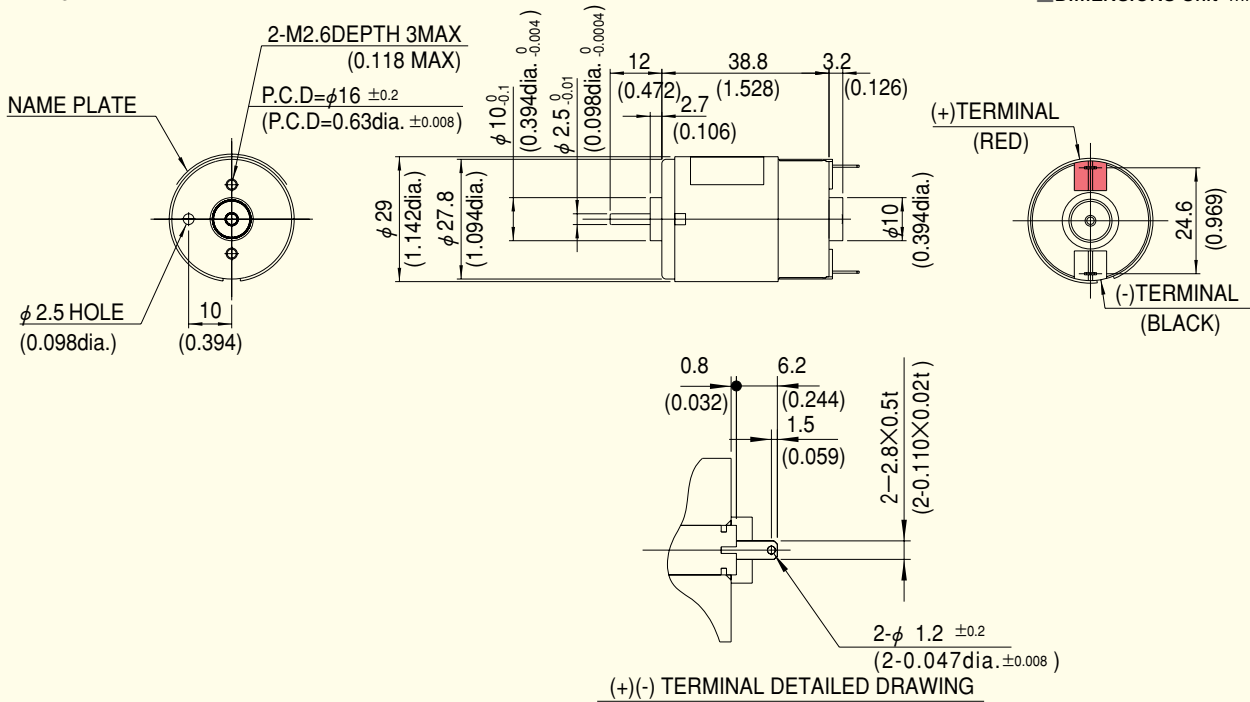
Specification

TYPE	RATED						NO LOAD		STALL		WEIGHT	
	OUT PUT	VOLTAGE	TORQUE		CURRENT	SPEED	CURRENT	SPEED	TORQUE		g	lb
	W	V	mN·m	oz·in	A	r/min	A	r/min	mN·m	oz·in		
DMN29BA	3.0	12	7.8	1.11	0.42	3700	0.07	5000	30	4.17	90	0.20
DMN29BB	3.0	24	7.8	1.11	0.21	3700	0.05	5000	30	4.17	90	0.20

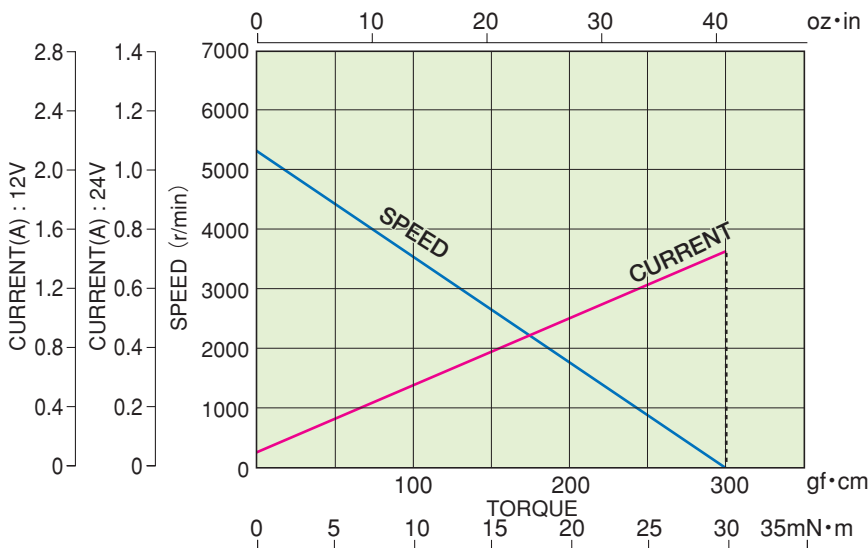
Outline

DMN29

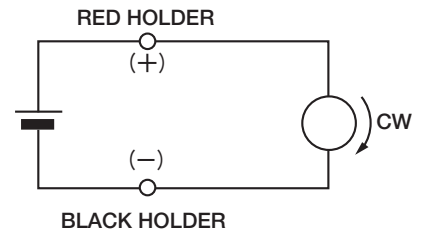
■ DIMENSIONS Unit mm(inch)



CURRENT, SPEED-TORQUE CURVE



CONNECTION



BONDY

INDUSTRIAL EQUIPMENT SUPPLIER



Transmission



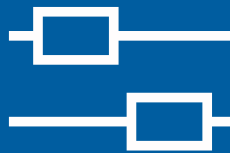
Handling



Motor & Gear



Vacuum Conveying



Linear



Support

See our products and solutions at

www.bondy.dk

For ordering and questions call (+45) 70 15 14 14