

CFR Electric Drive Wheels

For ordering and questions call

(+45) 70 15 14 14

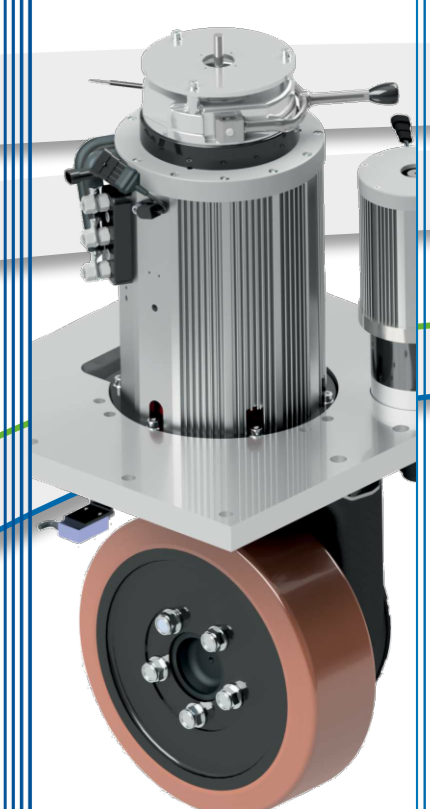
BONDY

INDUSTRIAL EQUIPMENT SUPPLIER

[Visit our website](#)



CFR



HORIZONTAL DRIVE WHEEL
VERTICAL DRIVE WHEEL
DUAL DRIVE WHEEL

INDEX

COMPANY & INFO

Introduction	02
Drive Solutions	03
Tested - Proven - Validated - PMAC Design	04
Certifications	04

DRIVE WHEEL DETAILS

Horizontal and Vertical Drive Wheels	05
--------------------------------------	----

HORIZONTAL DRIVE WHEEL

MRT03	06
MRT05	07
MRT10	08
MRT18	09
MRT20	10
MRT27	11
MRT30	12
MRT33	13
MRT35	14
MRT36	15
MRT41	16

VERTICAL DRIVE WHEEL

MRT23	17
MRT90	18
MRT97	19
MRT130	20
MRT98	21
MRT99	22
MRT44	23
MRT100	24
MRT101	25
MRT60	26

DUAL DRIVE DETAILS

27	RE-LL-TT DETAILS
----	------------------

E-HUB DRIVE WHEEL

28	RE44
29	RE120
30	RE260
31	RE900
32	RE1000
33	RE3000
34	RE9000

E-NARROW DRIVE WHEEL

35	LL20
36	LL25

E-PARALLEL DRIVE WHEEL

37	TT16
38	TT20



COMPANY



INTRODUCTION

C.F.R., founded 1979, in Modena (Italy) designs, manufactures and sells DC/AC motors, AC 3-phase asynchronous motors, PMAC synchronous motors electro hydraulic pumps, motor in wheel units and gear motors all over the world.

C.F.R. continues to bring excellent products, technological innovation and ease of customizing to the motor market.

The factory, is 11000 sq. meter, and employs 110 people. The core to C.F.R. growth is the constant dedication to the pursuit of full customer satisfaction. They have a strong presence in domestic and international markets, as well as, great production flexibility. C.F.R. has come to be recognized as one of the biggest suppliers of electric drive and battery-operated vehicles.

In 1995, C.F.R. made the strategic decision to purchase the society TVM, which even today is providing all the mechanical parts for production. Continued investment in the most modern machinery has further increased and developed the quality and flexibility of each product. Today, C.F.R. can quickly design and produce motors and special parts request from customers.

C.F.R. products are sold in 28 countries and are used in a myriad of applications, including but not limited to: Forklifts, AGV, Aerial Platforms, Airport Machines, Agricultural Machines, Hydraulic Applications, Floor Scrubbers, Sweepers, Wind Energy, Marine, and in the field of Medical Devices.



**YOUR PARTNER
FOR MOBILE APPLICATIONS**

*Electric
tow tractor*



AGV - LGV

Material Handling



**YOUR PARTNER
FOR MOBILE APPLICATIONS**



*Ground support
equipment*



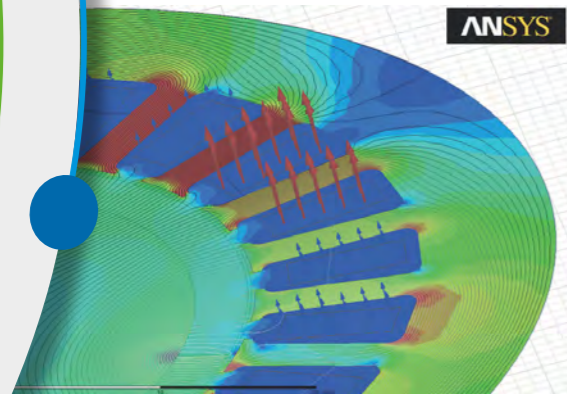
Agriculture



Building



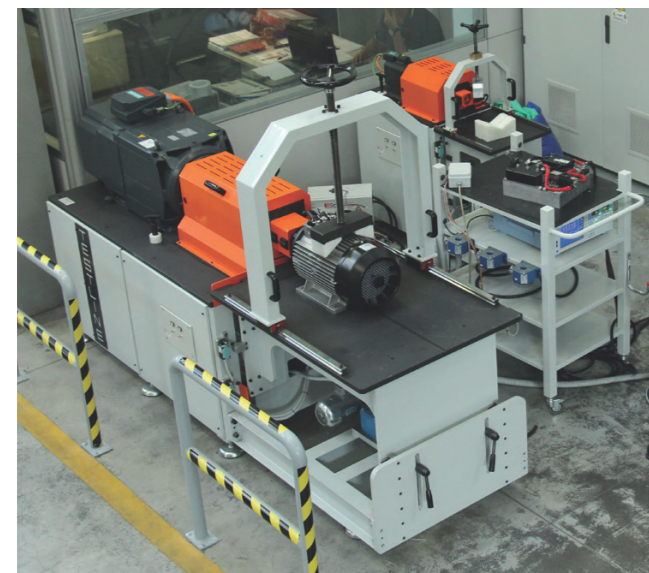
TESTED - PROVEN VALIDATED - PMAC DESIGN



Designs are validated by Ansys® Maxwell, a finite element software. This software allows the simulation of the performance of the motor in all load conditions, confirming we are giving you the optimized design.



The motor are tested on the newest specialized CFR test bench providing highly-accuracy power measurements from 200W to 70KW and available from 24V-144V.



All prototypes are tested for extended periods of time to verify the quality and the duration will work perfectly before sending production parts to customers. Due diligence is paramount to the satisfaction of our customers. C.F.R. testing room is one of the most modern and well-equipped in a region known for the highest quality manufacturing. It is outfitted with modern equipment, capable of supplying all of the electrical and mechanical requirements, as well as power curves and productivity of the various motors.

PROCESS CERTIFICATIONS



PRODUCTS CERTIFICATIONS

C.F.R. maintains the highest industry standards including: ISO9001:2015, RoHS Compliant, Reach Policy, European Machinery Directive, and CE as applicable.

Every DC/AC motor assembled in C.F.R. conforms to the directives:

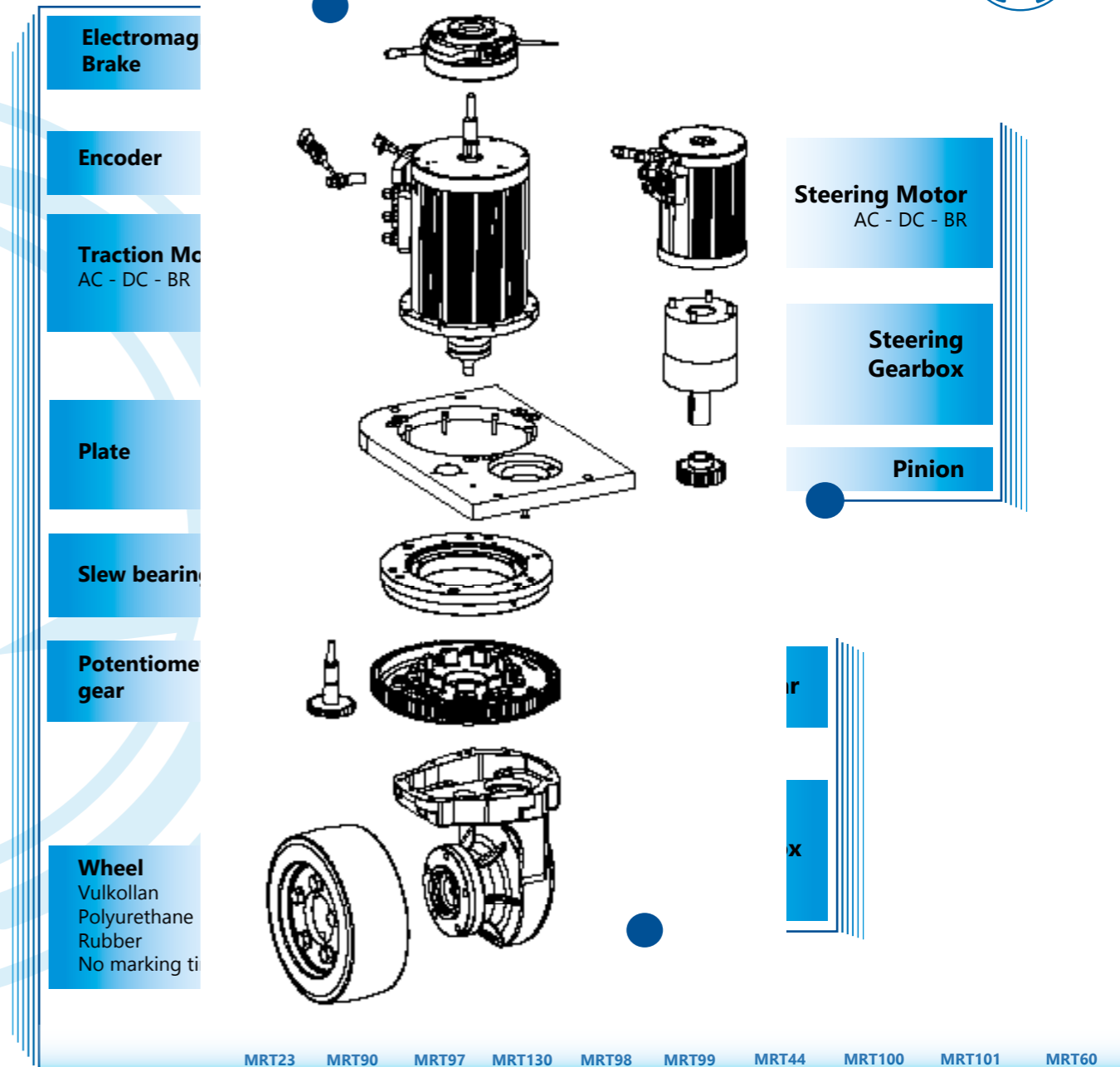
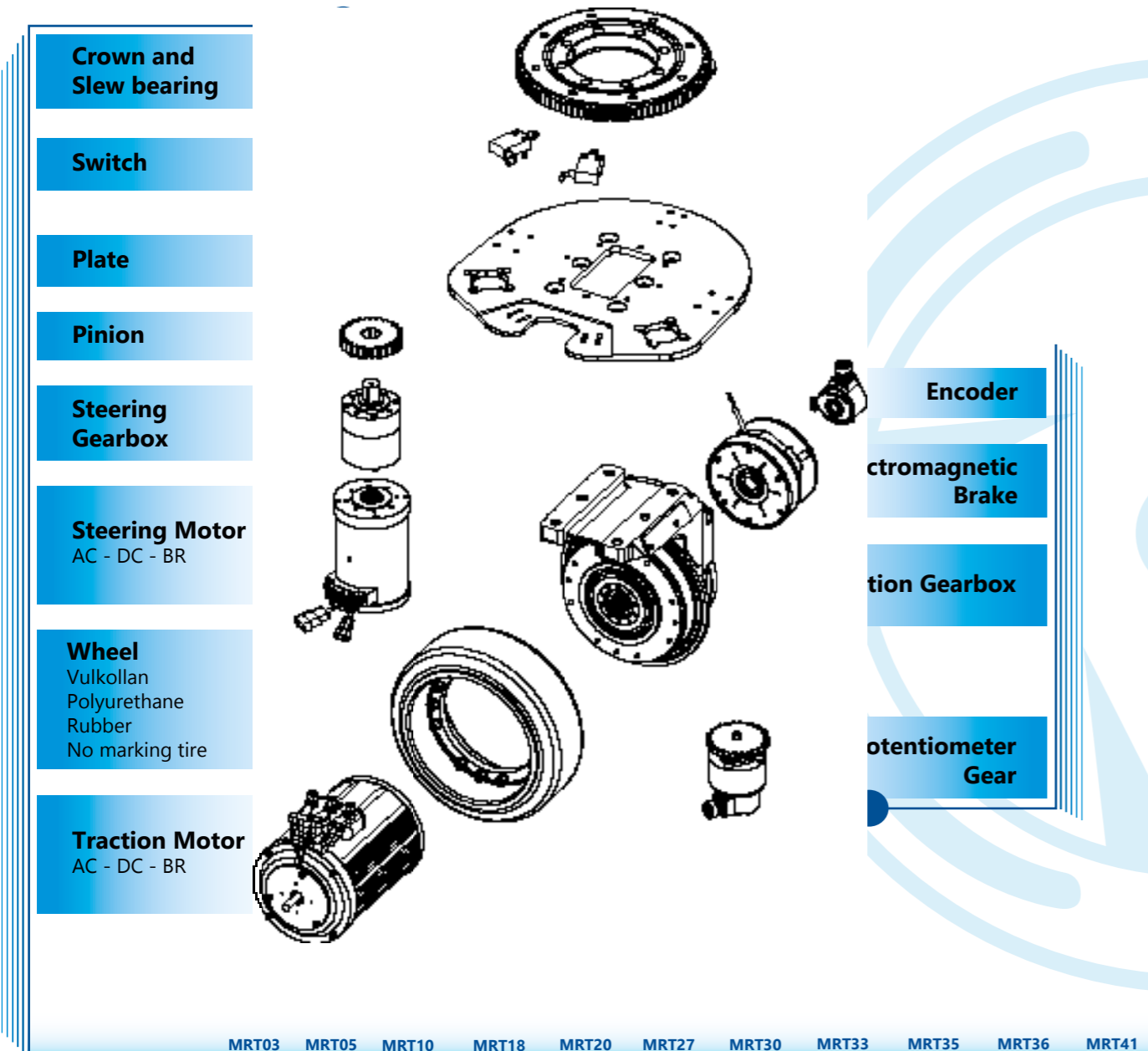
- 2014/35/UE (Low Voltage)
- 2014/30/UE (Electromagnetic Compatibility)
- 2006/42/CE (Machine Directive) Limitation applicable on the safety requirements and the ability to be incorporated in a machine.

The electric motors are also following the technical standards:

- CEI EN 60034-1** Rating and operation;
- CEI EN 60034-5** Degree of protection of rotating electrical machines (project basis);
- CEI EN 60034-7** Classification types of construction, installation types, location of the terminal.

Horizontal Drive Wheel

Vertical Drive Wheel

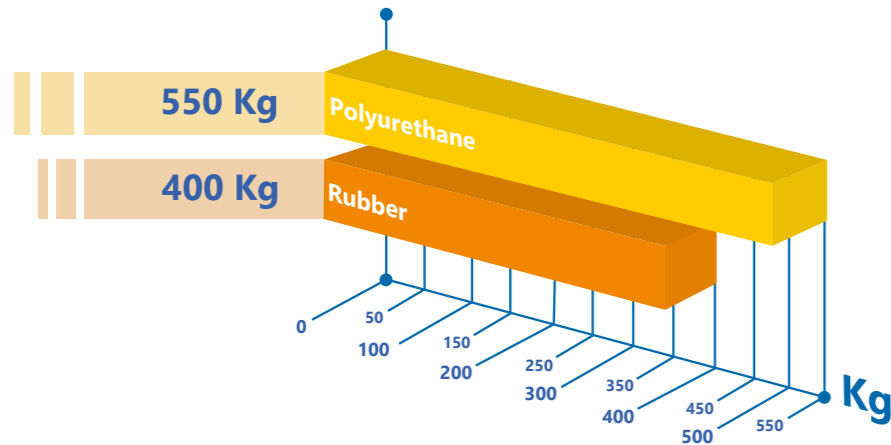
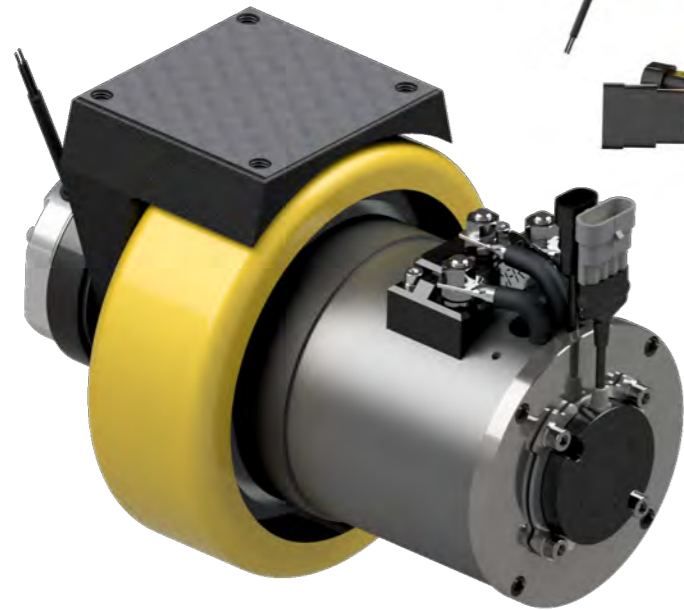


	MRT03	MRT05	MRT10	MRT18	MRT20	MRT27	MRT30	MRT33	MRT35	MRT36	MRT41
Nominal motor power [W]	200-500	200-500	300-600	500-1000	600-1400	800-1800	600-1400	1000-2500	1000-2500	2000-4000	3000-6000
Max wheel load [Kg]	500	550	600	1000	1000	1300	1100	1800	1800	2200	3200
Max wheel torque [Nm]	90	180	230	280	280	500	280	600	600	1200	2100
Nominal wheel torque [Nm]	30	60	75	90	90	165	90	200	200	400	700
Max vehicle speed [Km/h]	7.2	5.5	6	7.2	7.2	7.2	9	7.2	8	7.2	8
Tire diameter [mm]	154	198	220	250	250	270	297	300	350	353	410
Lubrication	oil							●	●		
	grease	●	●	●	●	●	●	●	●	●	●
Available Gearbox [i]	1:13,8	1:21	1:20,8	1:20,1	1:20,1	1:22,9	1:20,1	1:29,3	1:29,3	1:24,7	1:24,7
Ratio		1:30,9	1:32,7	1:28,3	1:28,3	1:28,2	1:28,3			1:34,5	1:29,2
				1:34,6	1:34,6			1:34,6			

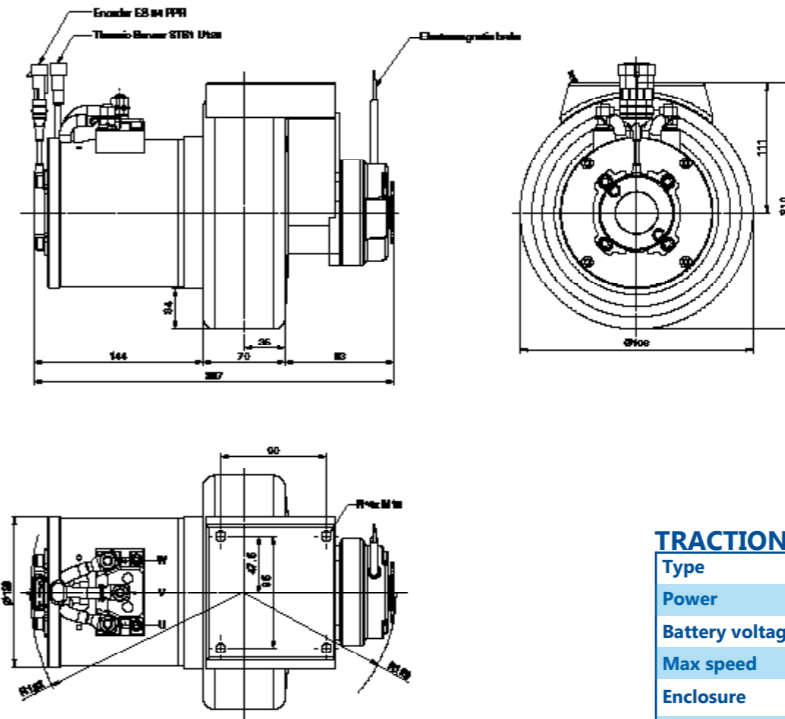
	MRT23	MRT90	MRT97	MRT130	MRT98	MRT99	MRT44	MRT100	MRT101	MRT60
Nominal motor power [W]	500-2000	500-1500	1000-3000	1000-2300	2000-6000	4000-6000	4000-10000	4000-6000	4000-6000	5000-15000
Max wheel load [Kg]	1000	1000	1500	1000	2600	2600	4300	1650	3500	6000
Max wheel torque [Nm]	500	365	750	500	1400	1400	2600	1400	1400	3150
Nominal wheel torque [Nm]	170	120	250	170	465	465	865	465	465	1050
Max vehicle speed [Km/h]	8	6	10	12	8	9	12	15	15	9
Tire diameter [mm]	230	230	254	300	310	343	406	448	457	500
Lubrication	oil	●	●	●	●	●	●	●	●	●
	grease									
Available Gearbox [i]	1:16,6	1:23,3	1:13,8	1:11	1:17,2	1:17,2	1:20	1:17,2	1:17,2	1:29,8
Ratio	1:27,8	1:28,9	1:16,1	1:16,5	1:20,3	1:20,3	1:24,4	1:20,3	1:20,3	
			1:18,9	1:25,4	1:25,6	1:25,6		1:25,6	1:25,6	
			1:21,8	1:28,4						
			1:25,6							

MRT05

Horizontal Drive Wheel

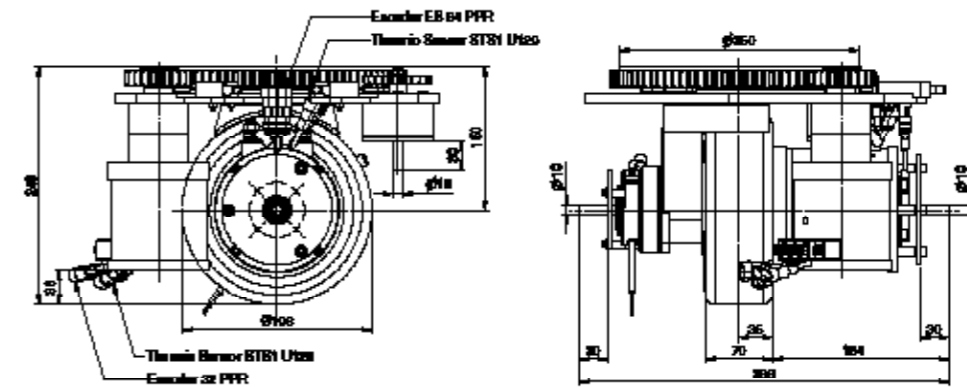


WITHOUT STEERING

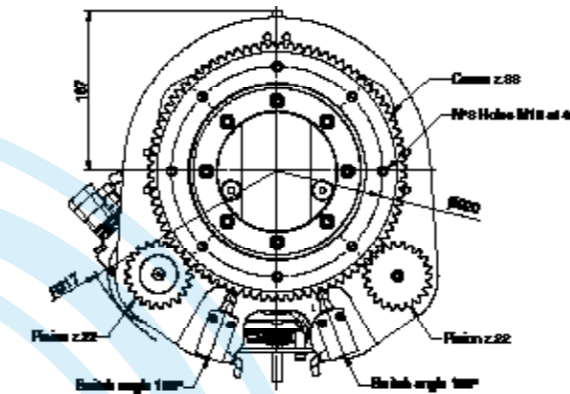


TRACTION MOTOR DATA	
Type	AC / DC / PMAC
Power	[W] 200 - 500
Battery voltage	[V] 24 - 144
Max speed	[Rpm] 3300
Enclosure	IP 20 - 65
Brake torque	[Nm] 4

WITH STEERING SYSTEM



STEERING MOTOR DATA	
Type	AC / DC / PMAC
Power	[W] 100 - 150
Battery voltage	[V] 24 - 144
Speed	[Rpm] 3000
Enclosure	IP 20 - 65
Gear ratio	[i] 1:45,56



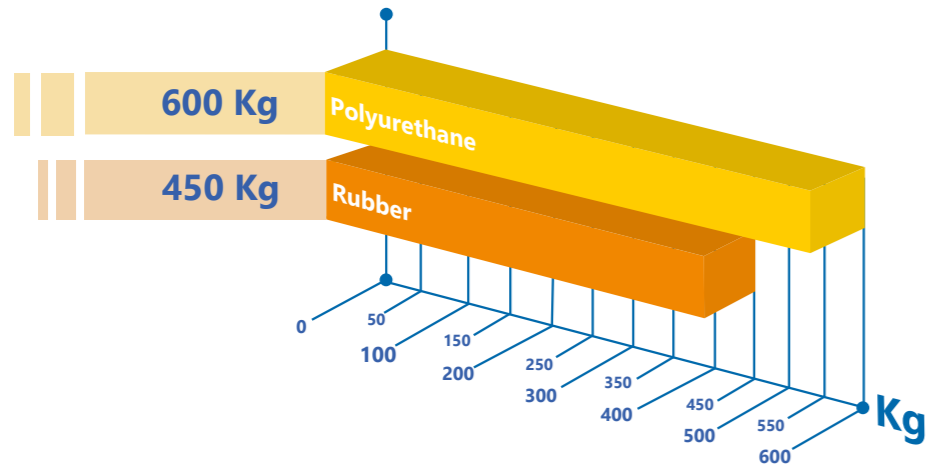
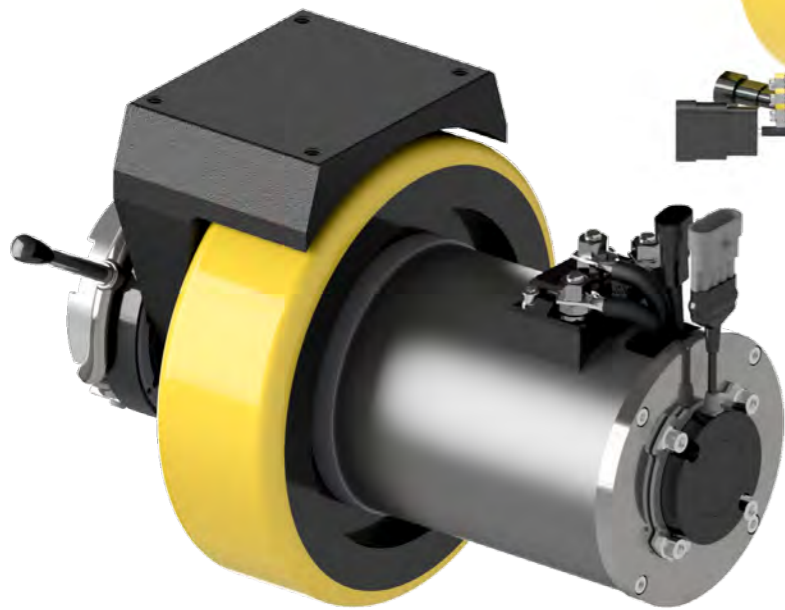
GEARBOX DATA			
Ratio	[i]	1:21	1:30,9
Max output	[Nm]	180	
Lubrication	-	Grease	
Tire size	[mm]	198x70	



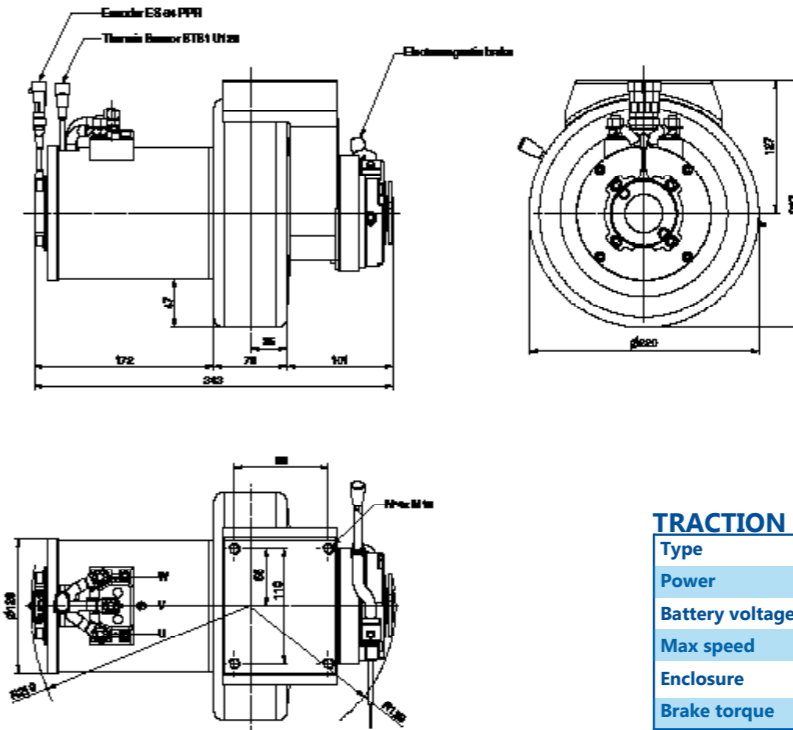
All data in this catalog are indicative. For detailed information, please contact us.

MRT10

Horizontal Drive Wheel

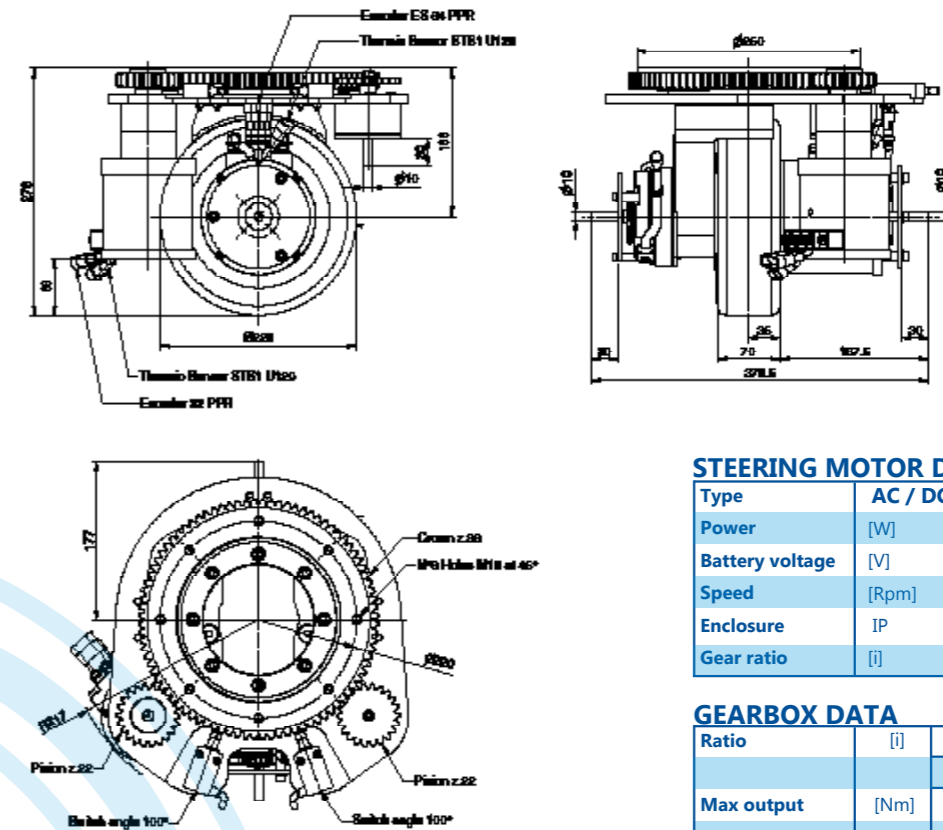


WITHOUT STEERING



TRACTION MOTOR DATA		
Type	AC / DC / PMAC	
Power	[W]	300 - 600
Battery voltage	[V]	24 - 144
Max speed	[Rpm]	3300
Enclosure	IP	20 - 65
Brake torque	[Nm]	8

WITH STEERING SYSTEM



STEERING MOTOR DATA		
Type	AC / DC / PMAC	
Power	[W]	100 - 150
Battery voltage	[V]	24 - 144
Speed	[Rpm]	3000
Enclosure	IP	20 - 65
Gear ratio	[i]	1:45,56

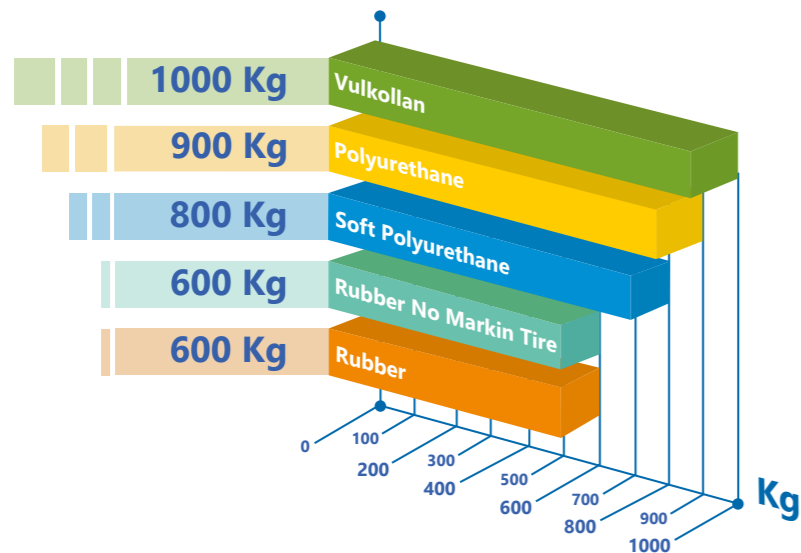
GEARBOX DATA		
Ratio	[i]	1:20,8 1:32,7
Max output	[Nm]	230
Lubrication	-	Grease
Tire size	[mm]	220x70



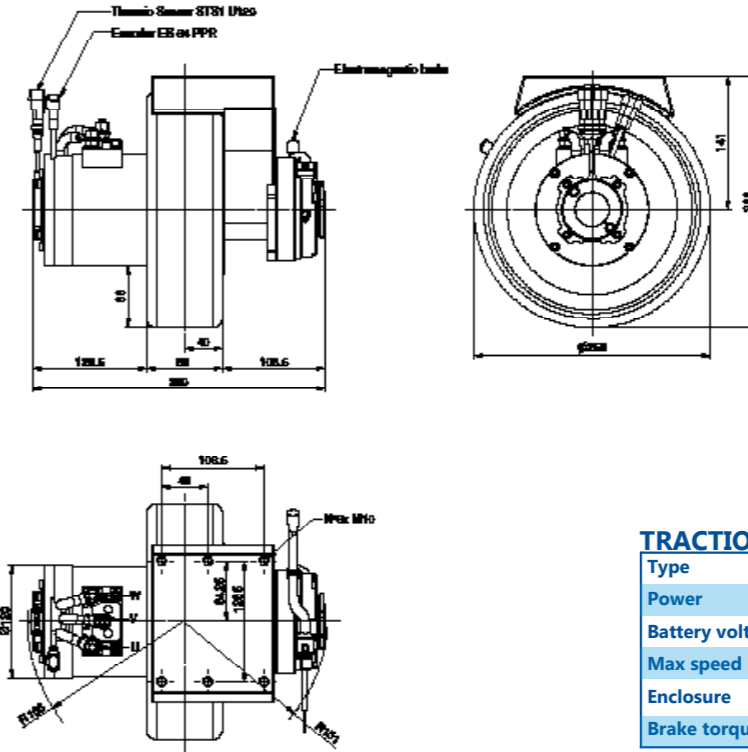
All data in this catalog are indicative.
For detailed information, please contact us.

MRT18

Horizontal Drive Wheel

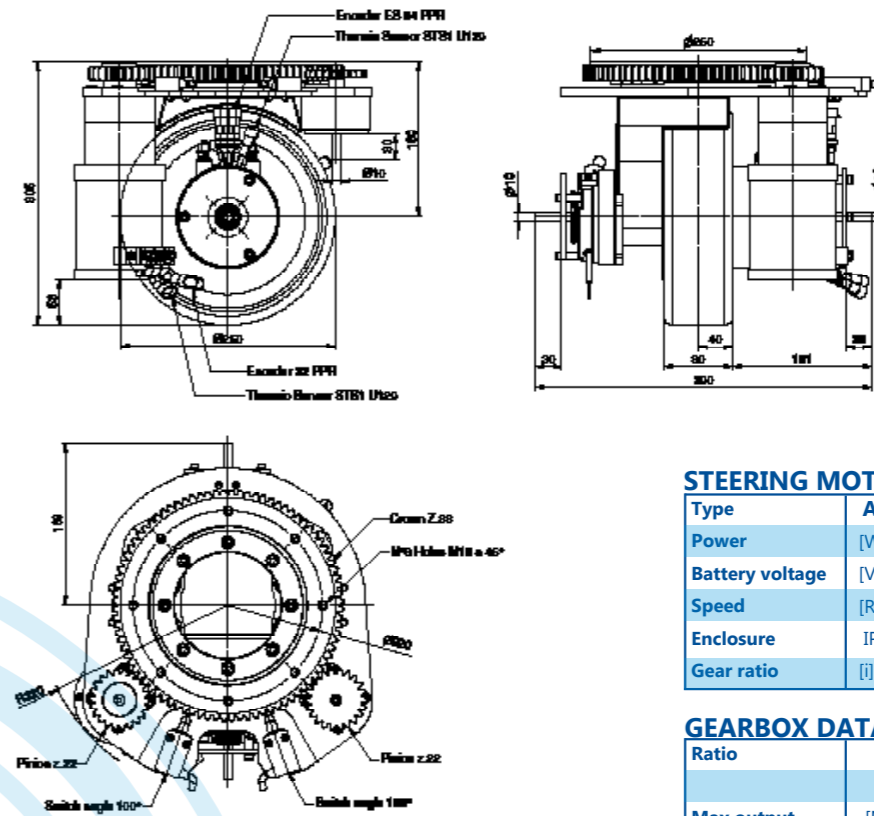


WITHOUT STEERING



TRACTION MOTOR DATA	
Type	AC / DC / PMAC
Power	[W] 500 - 1000
Battery voltage	[V] 24 - 144
Max speed	[Rpm] 3300
Enclosure	IP 20 - 65
Brake torque	[Nm] 8

WITH STEERING SYSTEM



STEERING MOTOR DATA	
Type	AC / DC / PMAC
Power	[W] 100 - 300
Battery voltage	[V] 24 - 144
Speed	[Rpm] 1500 - 3000
Enclosure	IP 20 - 65
Gear ratio	[i] 1:45,56

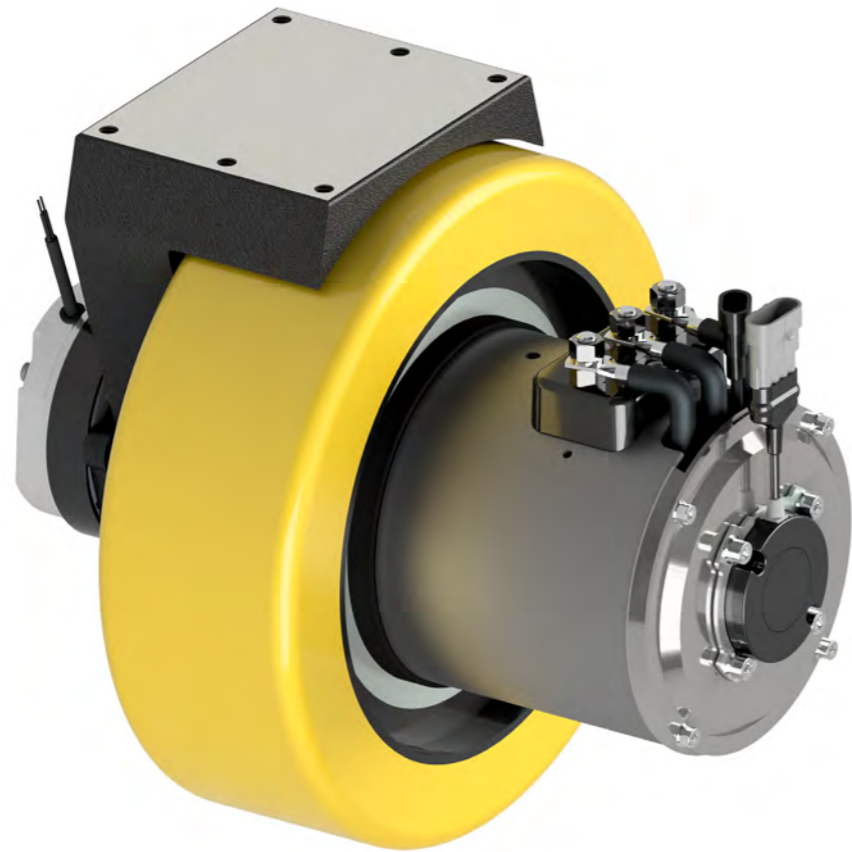
GEARBOX DATA			
Ratio	[i]	1:20,1	1:28,3
Max output	[Nm]	280	
Lubrication	-	Grease	
Tire size	[mm]	250x80	



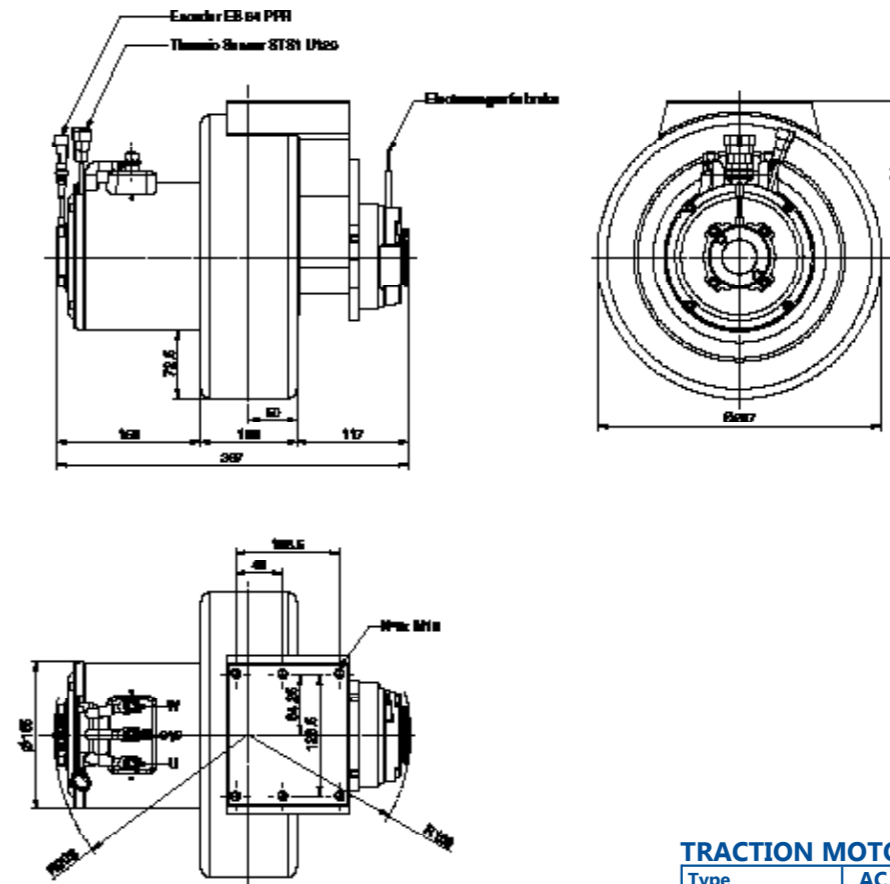
All data in this catalog are indicative. For detailed information, please contact us.

MRT30

Horizontal Drive Wheel



WITHOUT STEERING

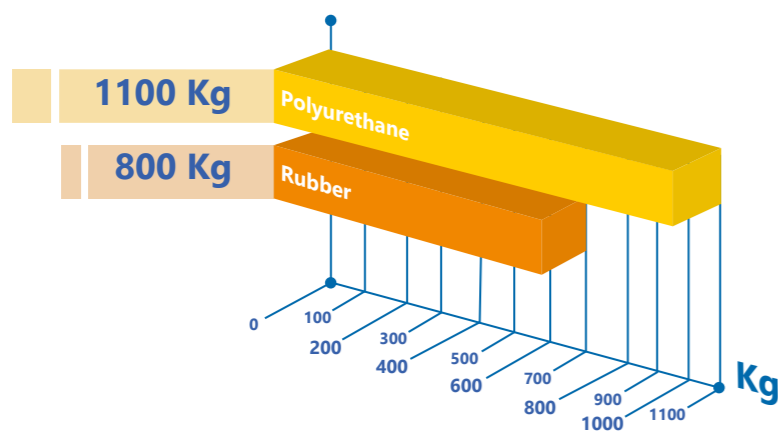


TRACTION MOTOR DATA

Type	AC / DC / PMAC	
Power	[W]	600 - 1400
Battery voltage	[V]	24 - 144
Max speed	[Rpm]	3300
Enclosure	IP	20 - 65
Brake torque	[Nm]	8

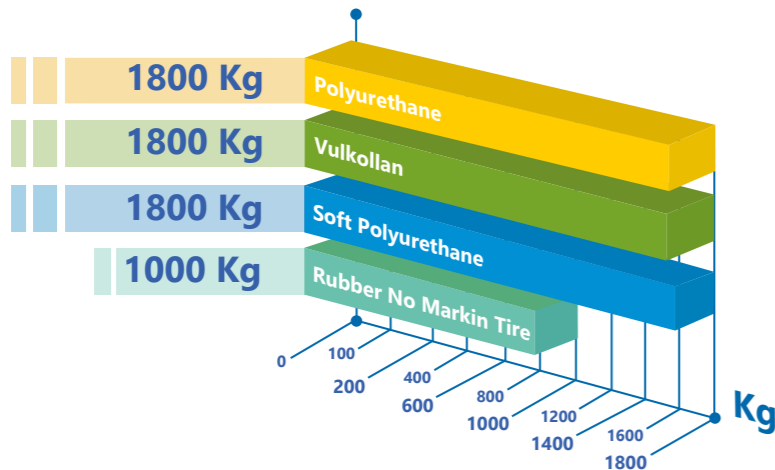
GEARBOX DATA

Ratio	[i]	1:20,1	1:28,3
		1:34,6	
Max output	[Nm]	280	
Lubrication	-	Grease	
Tire size	[mm]	297x100	

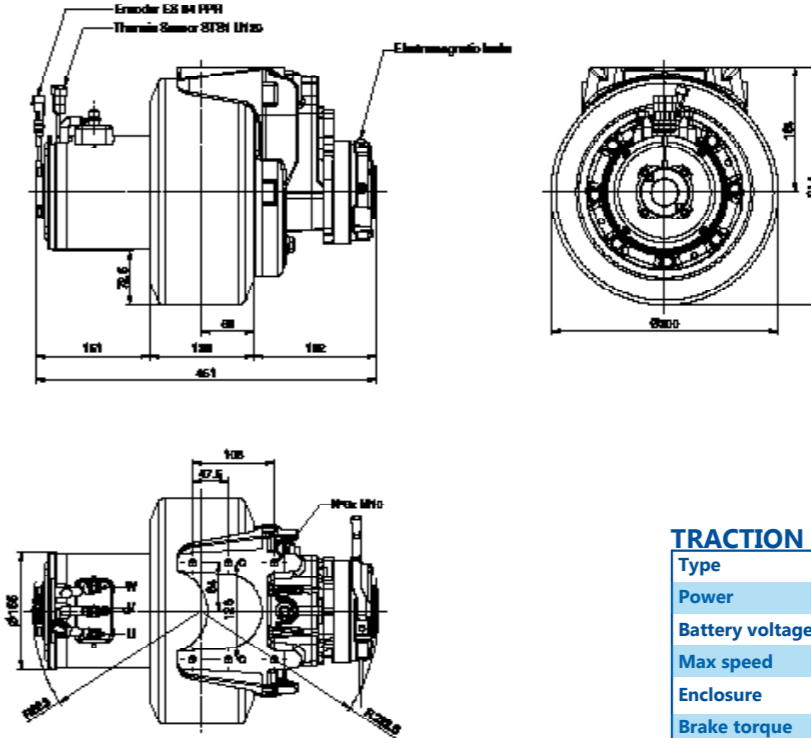


MRT33

Horizontal Drive Wheel

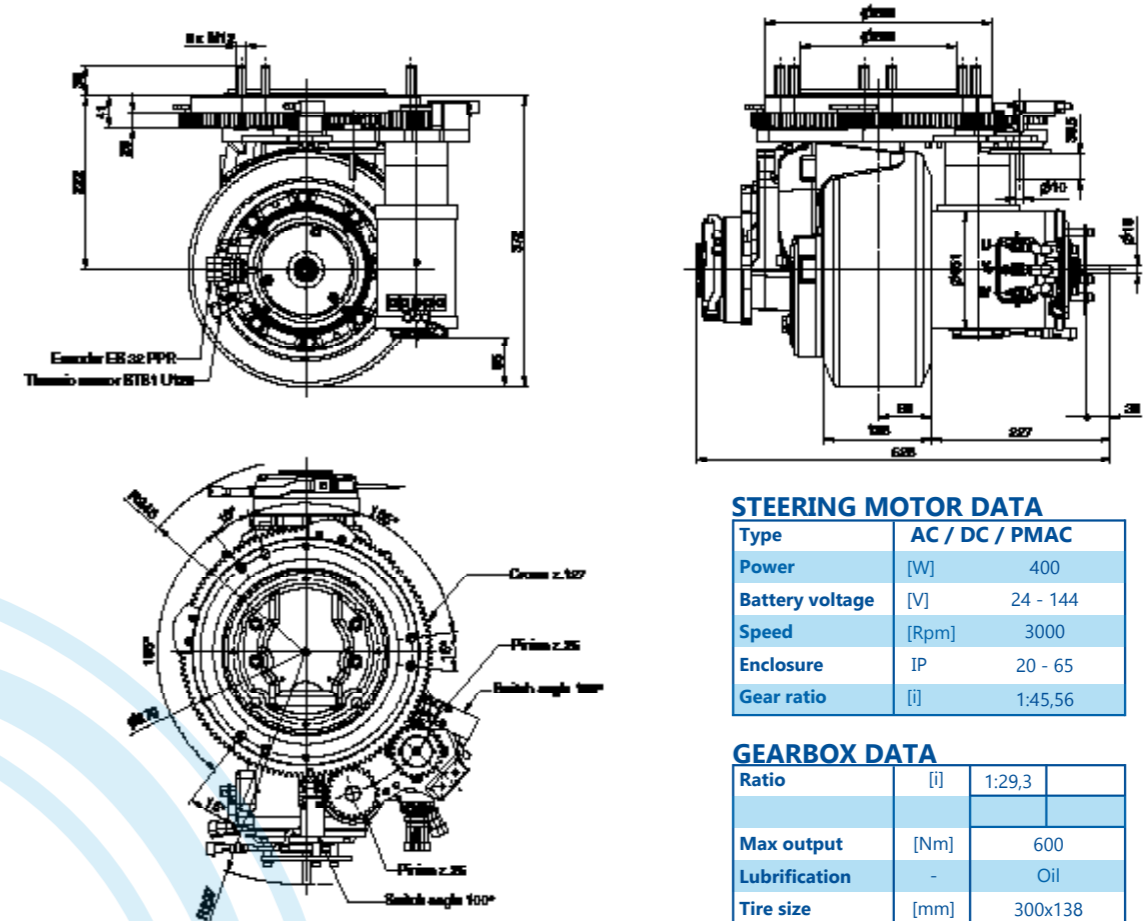


WITHOUT STEERING



Type	AC / DC / PMAC
Power	[W] 1000 - 2500
Battery voltage	[V] 24 - 144
Max speed	[Rpm] 3300
Enclosure	IP 20 - 65
Brake torque	[Nm] 16

WITH STEERING SYSTEM



Type	AC / DC / PMAC
Power	[W] 400
Battery voltage	[V] 24 - 144
Speed	[Rpm] 3000
Enclosure	IP 20 - 65
Gear ratio	[i] 1:45,56

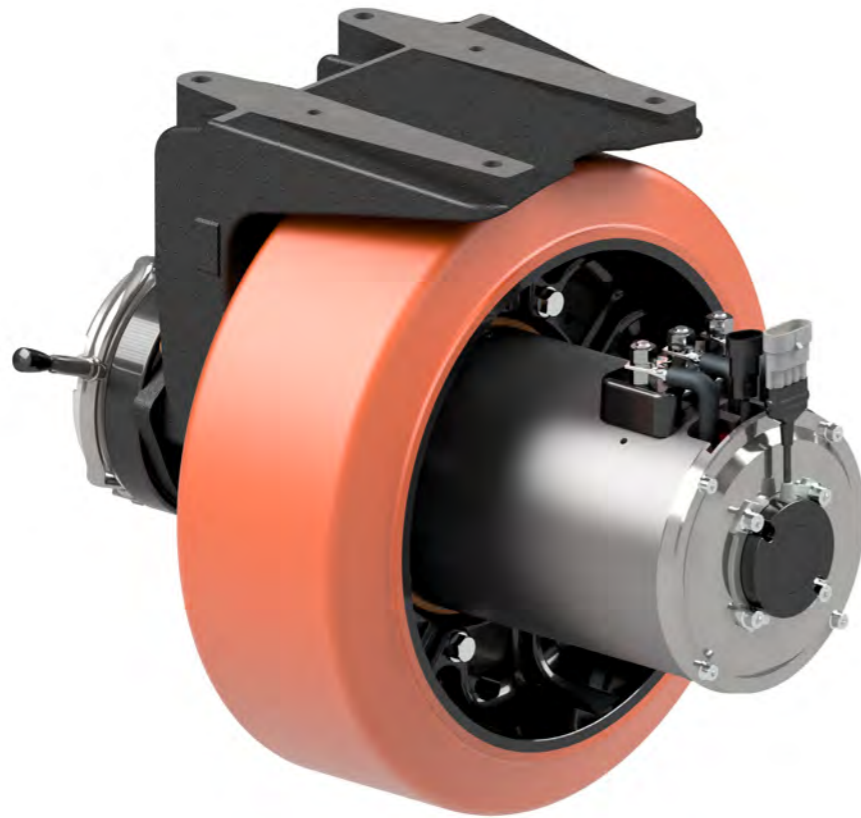
Ratio	[i]	1:29,3
Max output	[Nm]	600
Lubrication	-	Oil
Tire size	[mm]	300x138



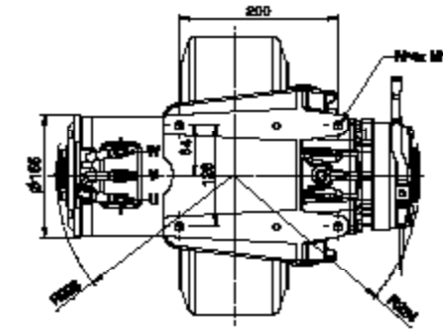
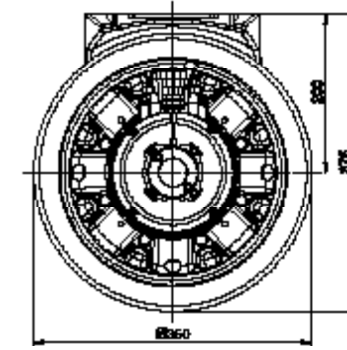
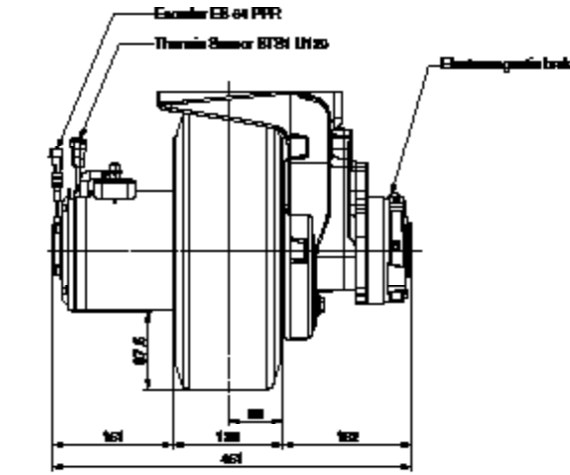
All data in this catalog are indicative. For detailed information, please contact us.

MRT35

Horizontal Drive Wheel



WITHOUT STEERING

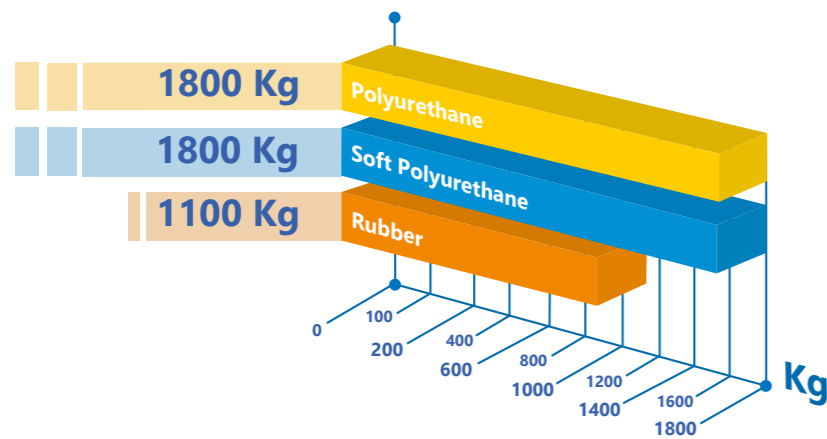


TRACTION MOTOR DATA

Type	AC / DC / PMAC	
Power	[W]	1000 - 2500
Battery voltage	[V]	24 - 144
Max speed	[Rpm]	3300
Enclosure	IP	20 - 65
Brake torque	[Nm]	16

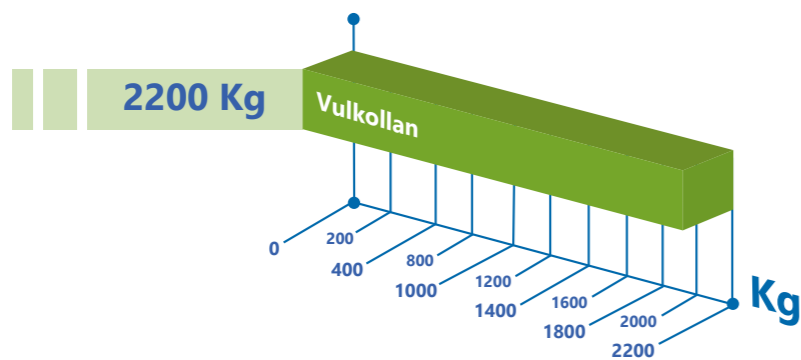
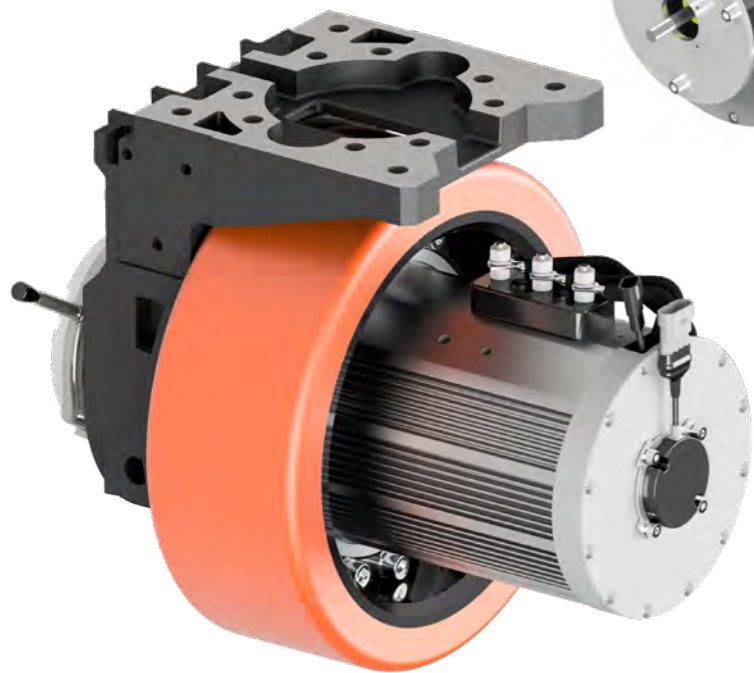
GEARBOX DATA

Ratio	[i]	1:29,3
Max output	[Nm]	280
Lubrication	-	Oil
Tire size	[mm]	350x138

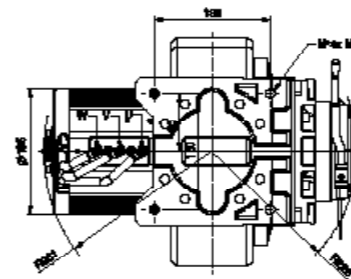
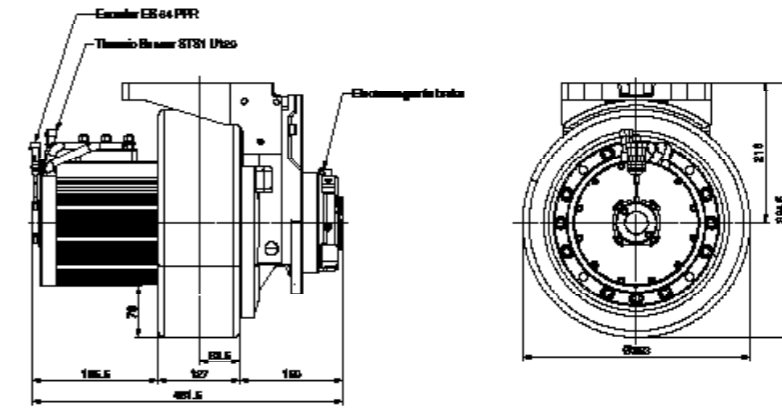


MRT36

Horizontal Drive Wheel



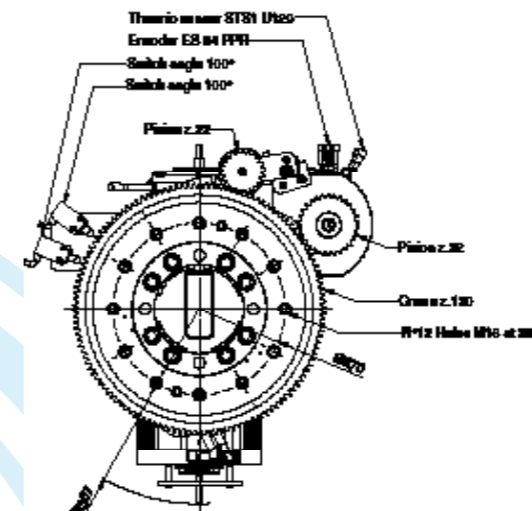
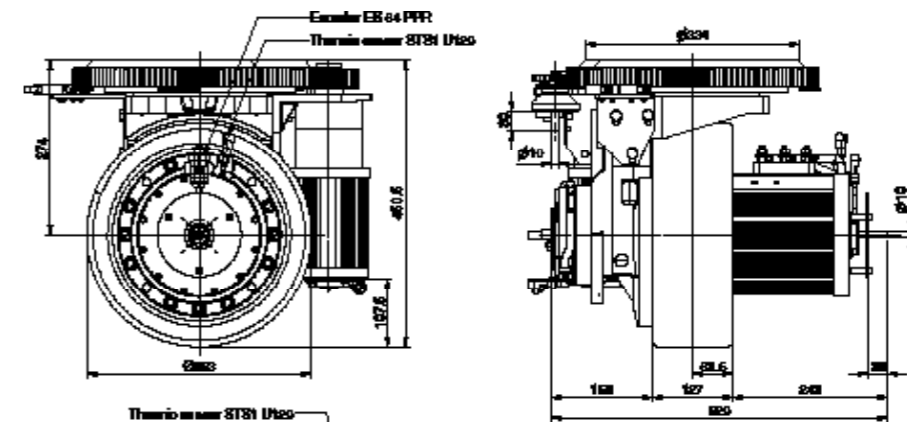
WITHOUT STEERING



TRACTION MOTOR DATA

Type	AC / DC / PMAC
Power	[W] 2000 - 4000
Battery voltage	[V] 24 - 144
Max speed	[Rpm] 2500
Enclosure	IP 20 - 65
Brake torque	[Nm] 32

WITH STEERING SYSTEM



TA PMAC

600 - 800
24 - 144
3000
20 - 65
1:45,56

1:24,7 1:34,5

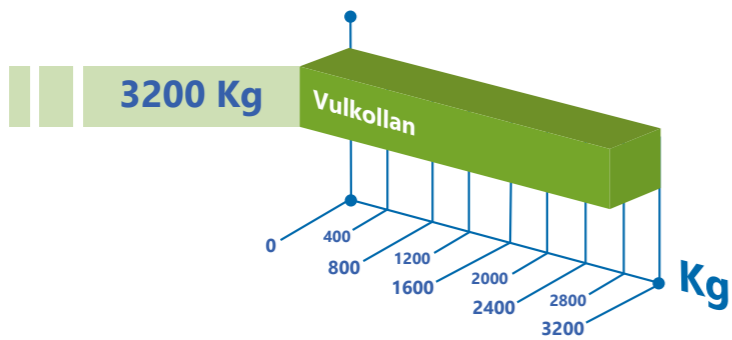
1200
Grease
353x127



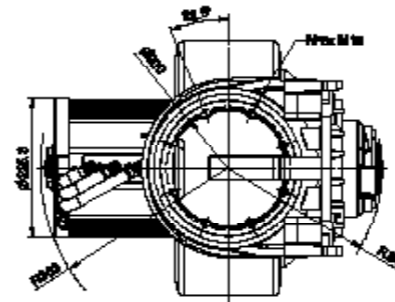
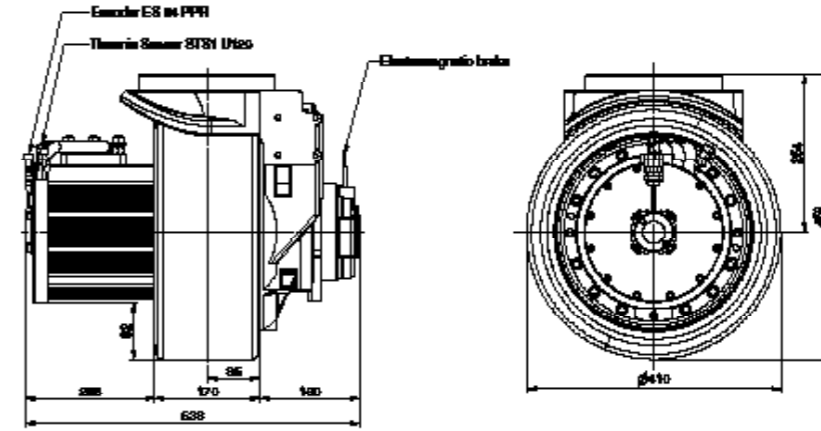
All data in this catalog are indicative.
For detailed information, please contact us.

MRT41

Horizontal Drive Wheel



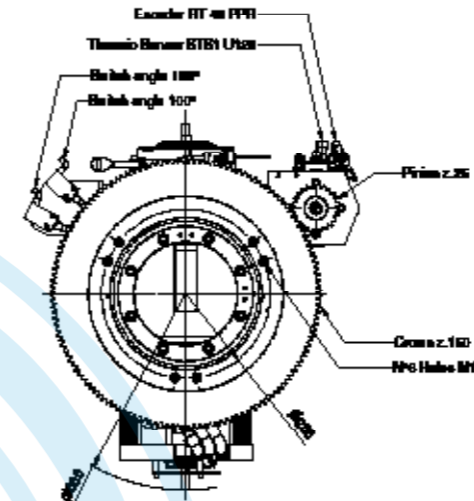
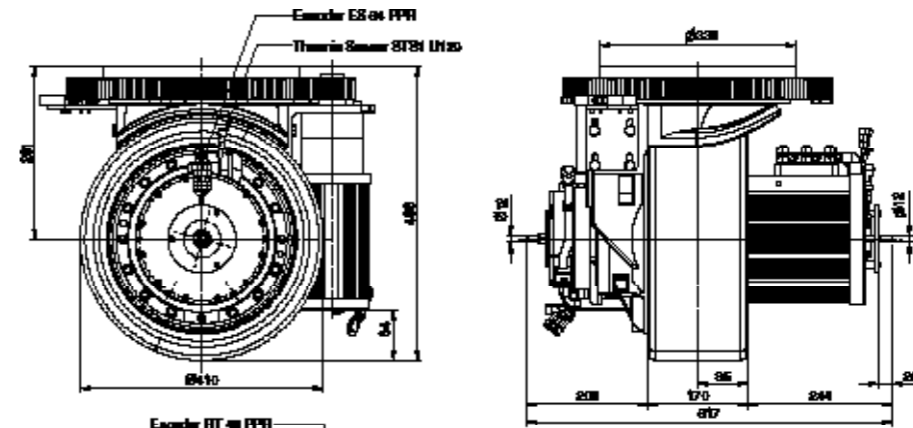
WITHOUT STEERING



TRACTION MOTOR DATA

Type	AC / DC / PMAC
Power	[W] 3000 - 6000
Battery voltage	[V] 24 - 144
Max speed	[Rpm] 2500
Enclosure	IP 20 - 65
Brake torque	[Nm] 32 - 60

WITH STEERING SYSTEM



STEERING MOTOR DATA

Type	AC / DC / PMAC
Power	[W] 600 - 1000
Battery voltage	[V] 24 - 144
Speed	[Rpm] 3000
Enclosure	IP 20 - 65
Gear ratio	[i] 1:45,56

GEARBOX DATA

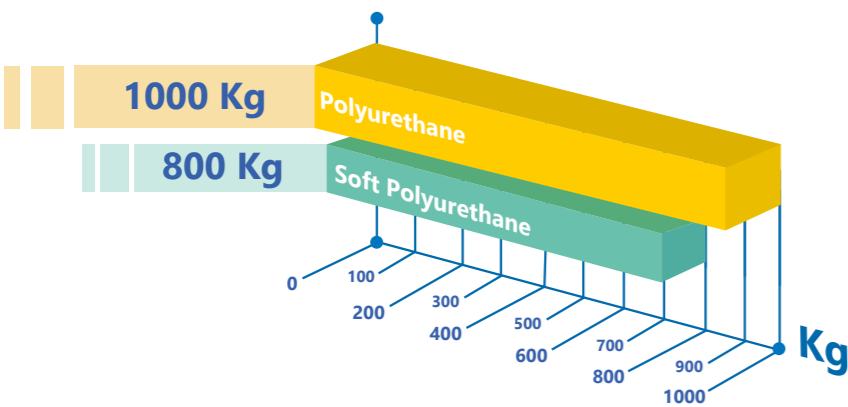
Ratio	[i]	1:24,7	1:29,2
Max output	[Nm]	2100	
Lubrication	-	Grease	
Tire size	[mm]	410x170	



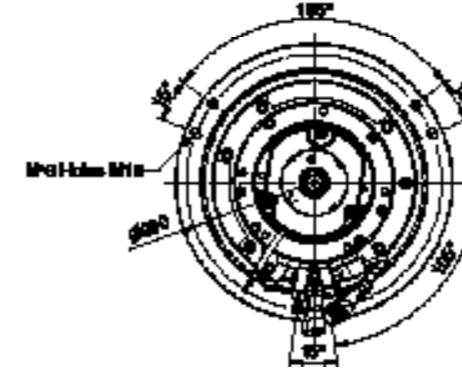
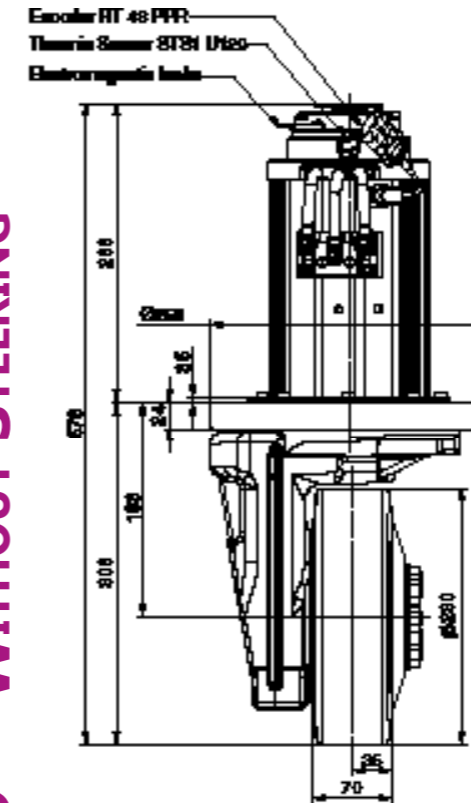
All data in this catalog are indicative.
For detailed information, please contact us.

MRT23

Vertical Drive Wheel



WITHOUT STEERING



STEERING MOTOR DATA

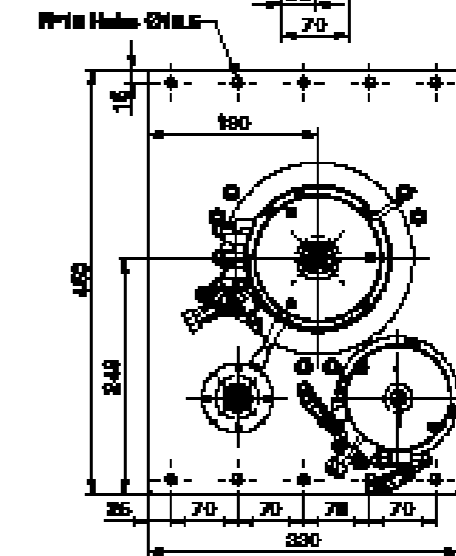
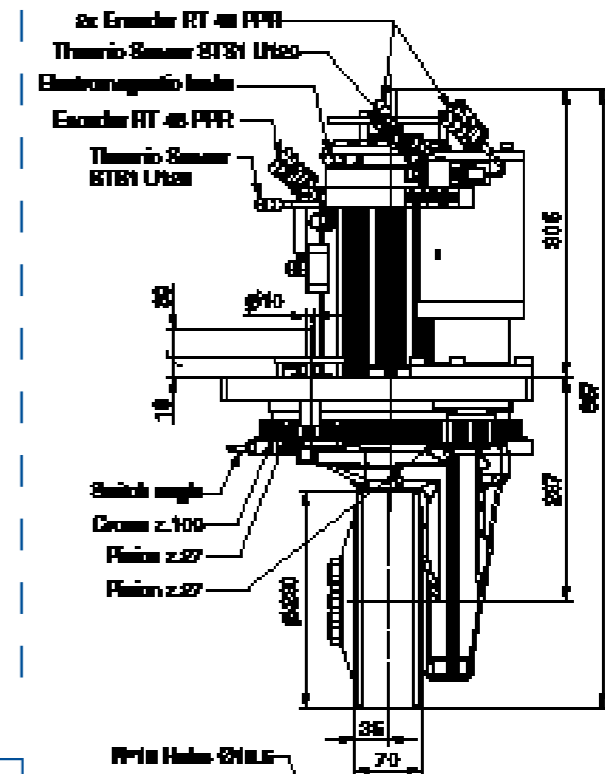
Type	AC / DC / PMAC
Power	[W] 400
Battery voltage	[V] 24 - 144
Speed	[Rpm] 3000
Enclosure	IP 20 - 65
Gear ratio	[i] 1:45,56

TRACTION MOTOR DATA

Type	AC / DC / PMAC
Power	[W] 500 - 2000
Battery voltage	[V] 24 - 144
Max speed	[Rpm] 3300
Enclosure	IP 20 - 65
Brake torque	[Nm] 8 - 16

GEARBOX DATA

Ratio	[i]	1:27,8	1:16,6
Max output	[Nm]	500	
Lubrication	-	Oil	
Tire size	[mm]	230x70	



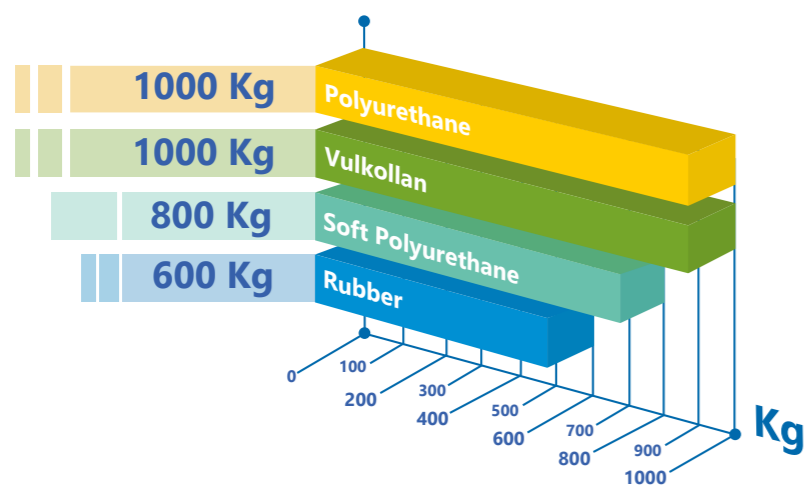
WITH STEERING SYSTEM



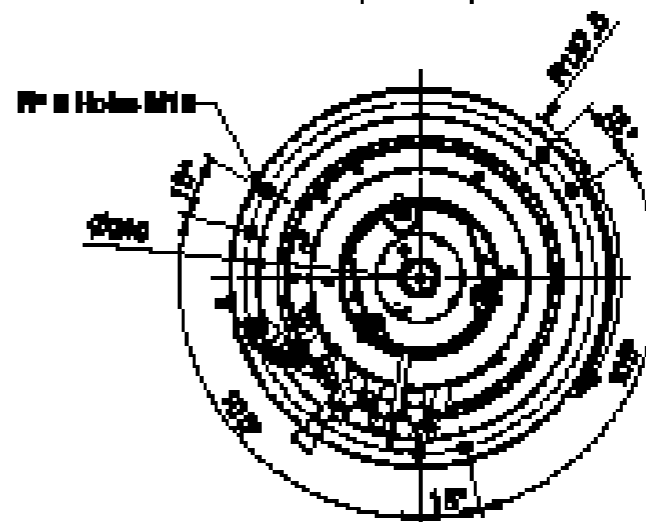
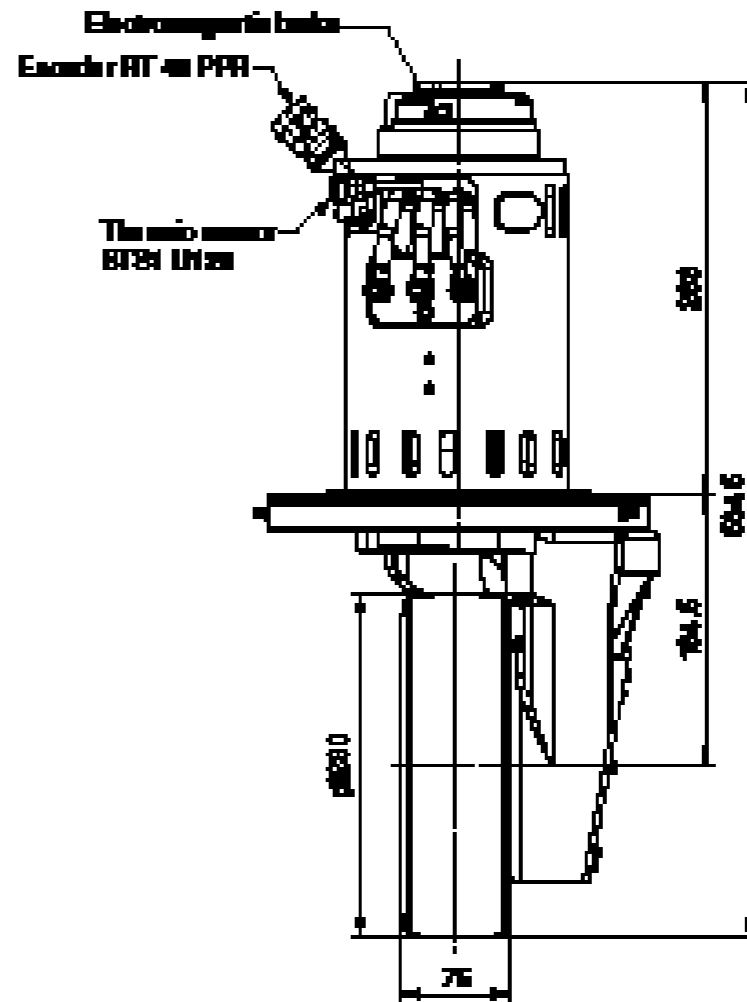
All data in this catalog are indicative.
For detailed information, please contact us.

MRT90

Vertical Drive Wheel



WITHOUT STEERING



TRACTION MOTOR DATA

Type	AC / DC / PMAC	
Power	[W]	500 - 1500
Battery voltage	[V]	24 - 144
Max speed	[Rpm]	3300
Enclosure	IP	20 - 65
Brake torque	[Nm]	8 - 16

GEARBOX DATA

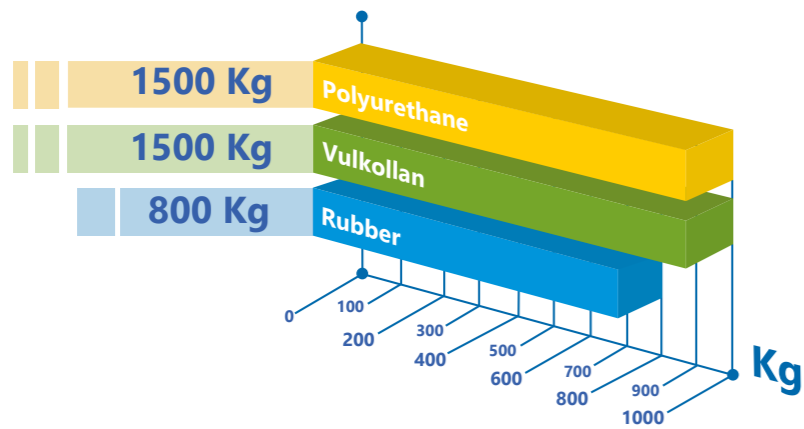
Ratio	[i]	1:23,3	1:28,9
Max output	[Nm]	365	
Lubrication	-	Oil	
Tire size	[mm]	230x75	



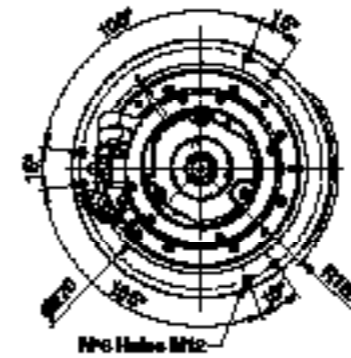
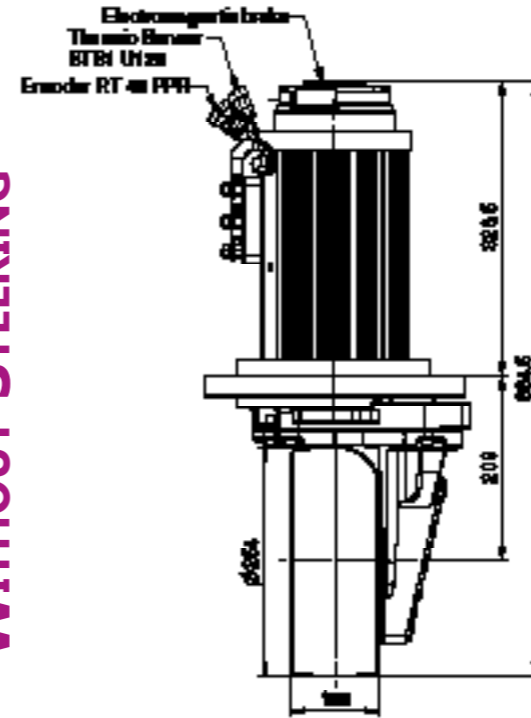
All data in this catalog are indicative.
For detailed information, please contact us.

MRT97

Vertical Drive Wheel



WITHOUT STEERING

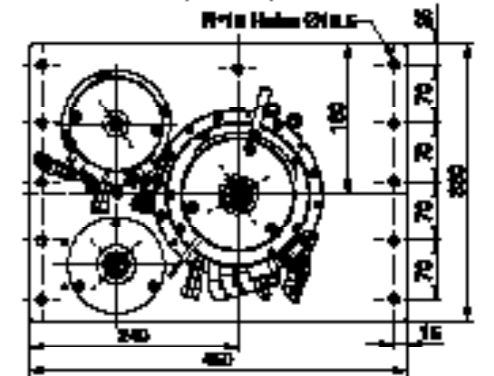
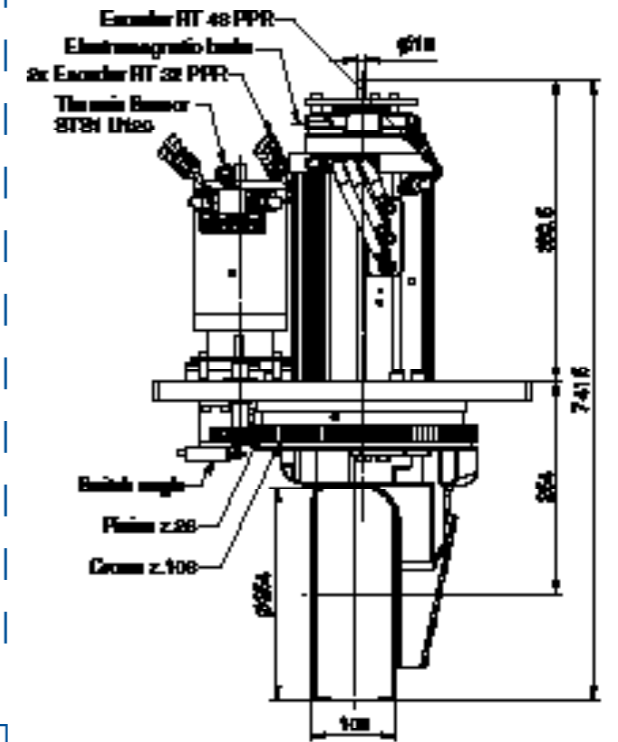


TRACTION MOTOR DATA

Type	AC / DC / PMAC
Power	[W] 1000 - 3000
Battery voltage	[V] 24 - 144
Max speed	[Rpm] 3300
Enclosure	IP 20 - 65
Brake torque	[Nm] 16 - 32

GEARBOX DATA

Ratio	[i]	1:13,8	1:16,1	1:18,6
Max output	[Nm]	750		
Lubrication	-	Oil		
Tire size	[mm]	254x100		



STEERING MOTOR DATA

Type	AC / DC / PMAC
Power	[W] 400 - 600
Battery voltage	[V] 24 - 144
Speed	[Rpm] 3000
Enclosure	IP 20 - 65
Gear ratio	[i] 1:45,56

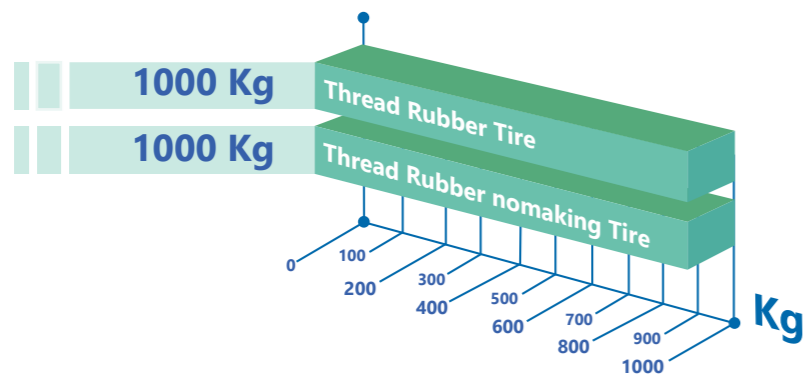
WITH STEERING SYSTEM



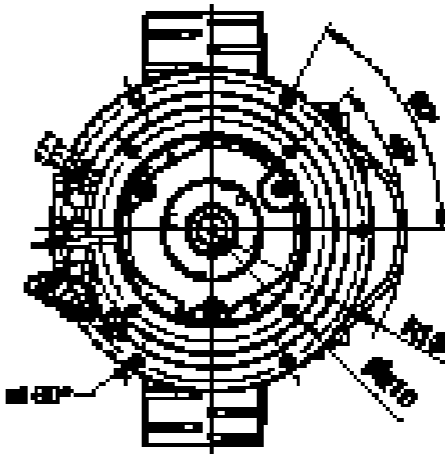
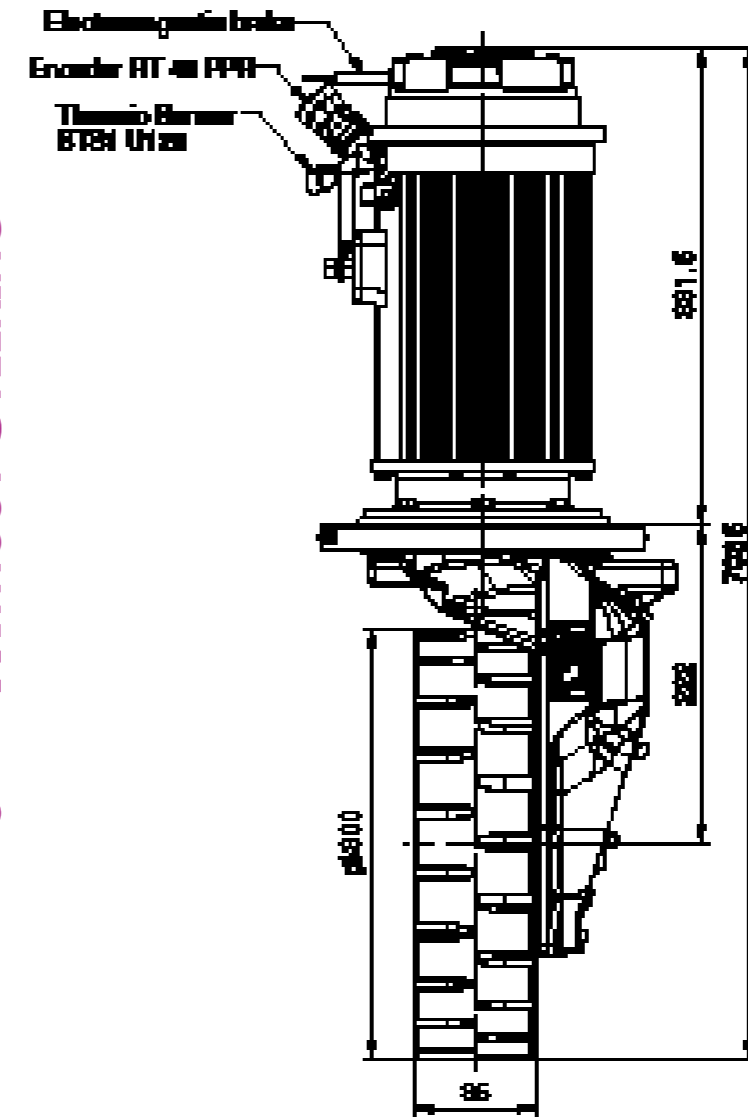
All data in this catalog are indicative.
For detailed information, please contact us.

MRT130

Vertical Drive Wheel



WITHOUT STEERING



TRACTION MOTOR DATA

Type	AC / DC / PMAC
Power	[W] 1000 - 2300
Battery voltage	[V] 24 - 144
Max speed	[Rpm] 3300
Enclosure	IP 20 - 65
Brake torque	[Nm] 8 - 16

GEARBOX DATA

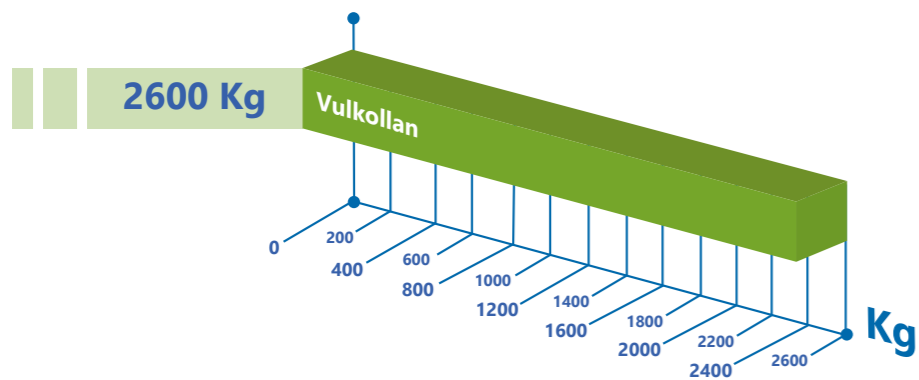
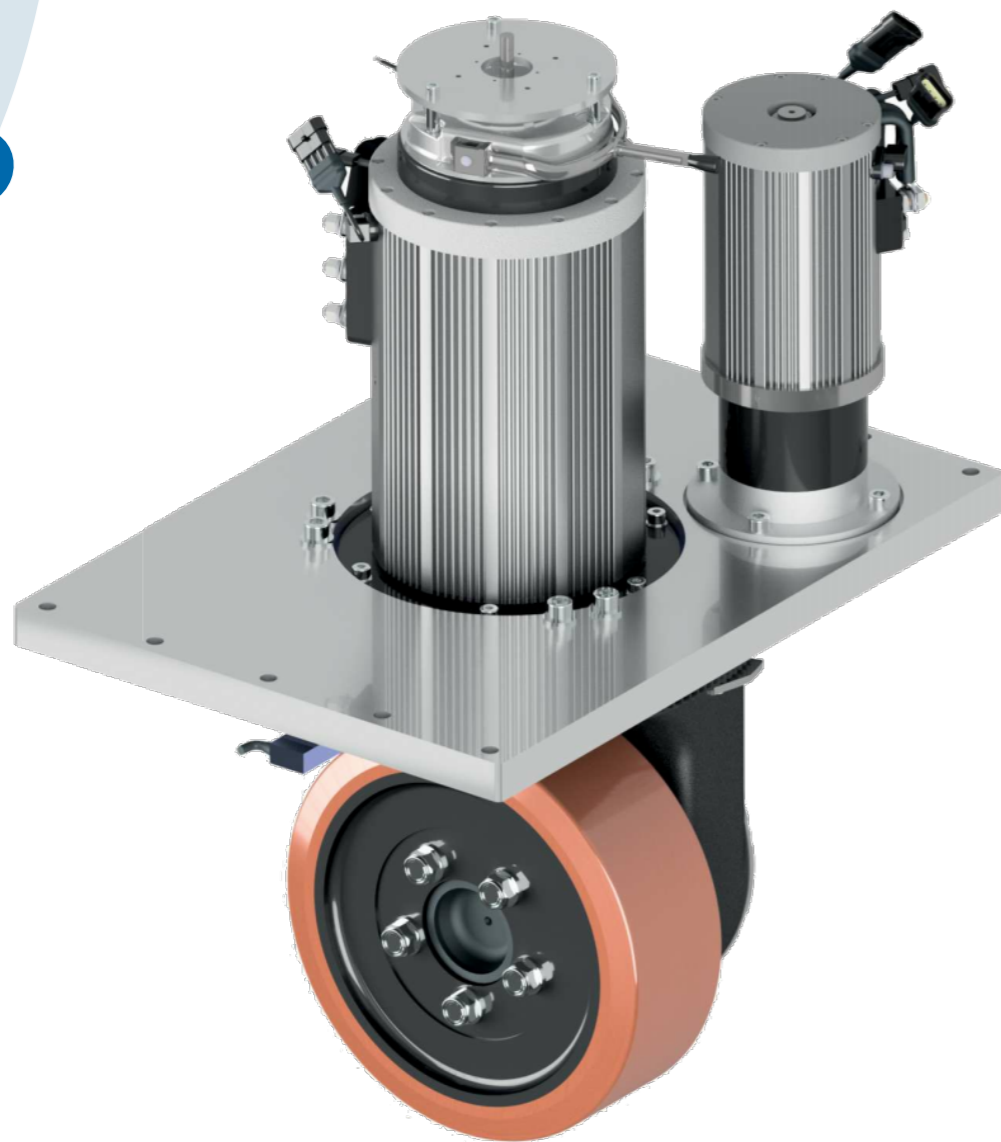
Ratio	(i)	1:11	1:16,5
		1:25,4	1:28,4
Max output	[Nm]	88	
Lubrication	-	Oil	
Tire size	[mm]	1000 - 2300	



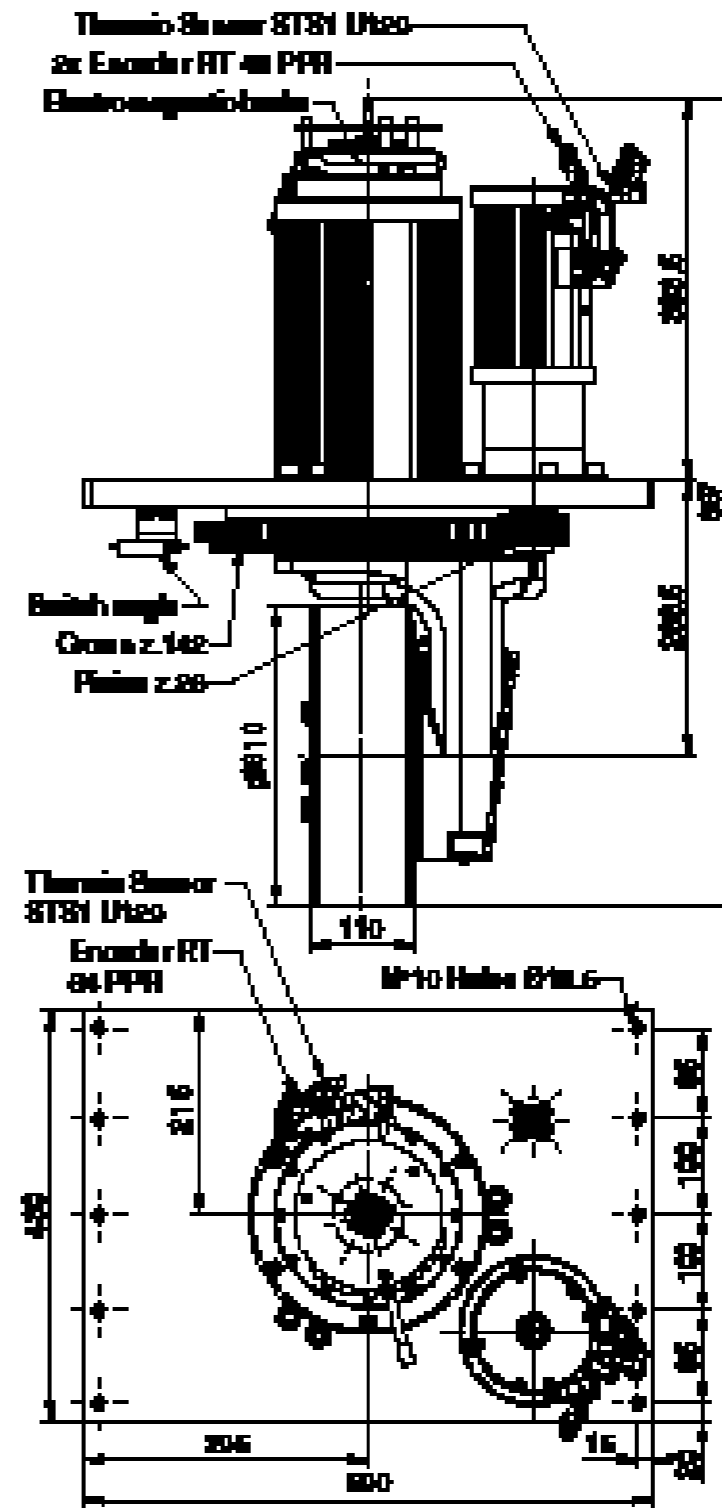
All data in this catalog are indicative.
For detailed information, please contact us.

MRT98

Vertical Drive Wheel



WITH STEERING SYSTEM



TRACTION MOTOR DATA

Type	AC / DC / PMAC	
Power	[W]	2000 - 6000
Battery voltage	[V]	24 - 144
Max speed	[Rpm]	3300
Enclosure	IP	20 - 65
Brake torque	[Nm]	32 - 60

STEERING MOTOR DATA

Type	AC / DC / PMAC	
Power	[W]	400 - 800
Battery voltage	[V]	24 - 144
Speed	[Rpm]	3000
Enclosure	IP	20 - 65
Gear ratio	[i]	1:45,56

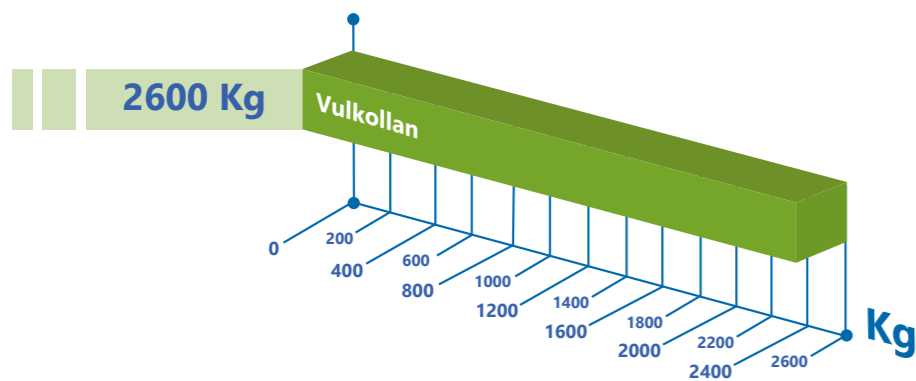
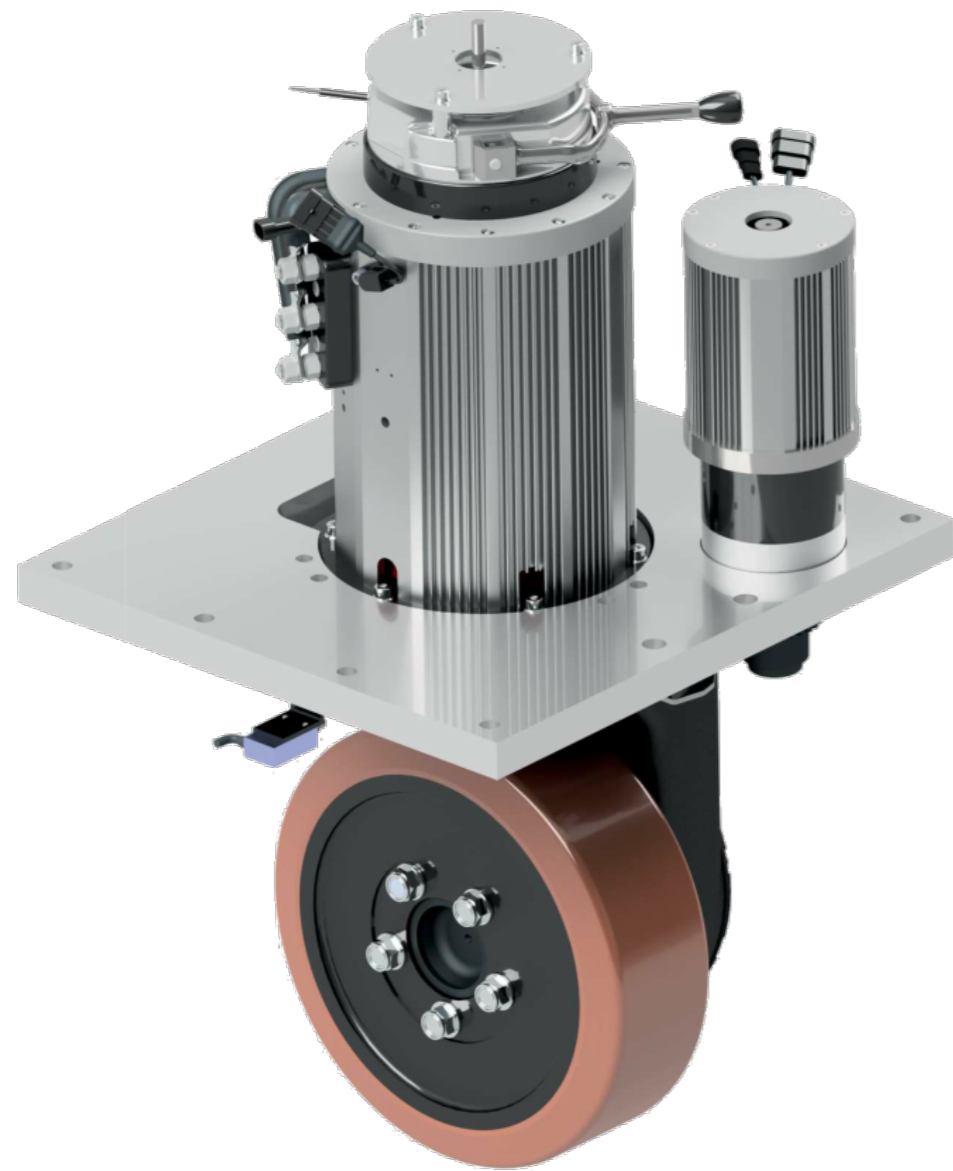
GEARBOX DATA

Ratio	[i]	1:17,2	1:20,3
			1:25,6
Max output	[Nm]	1400	
Lubrication	-	Oil	
Tire size	[mm]	310x110	

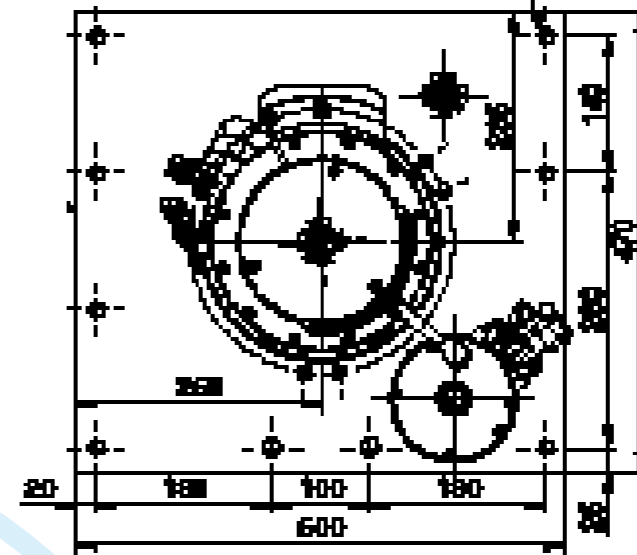
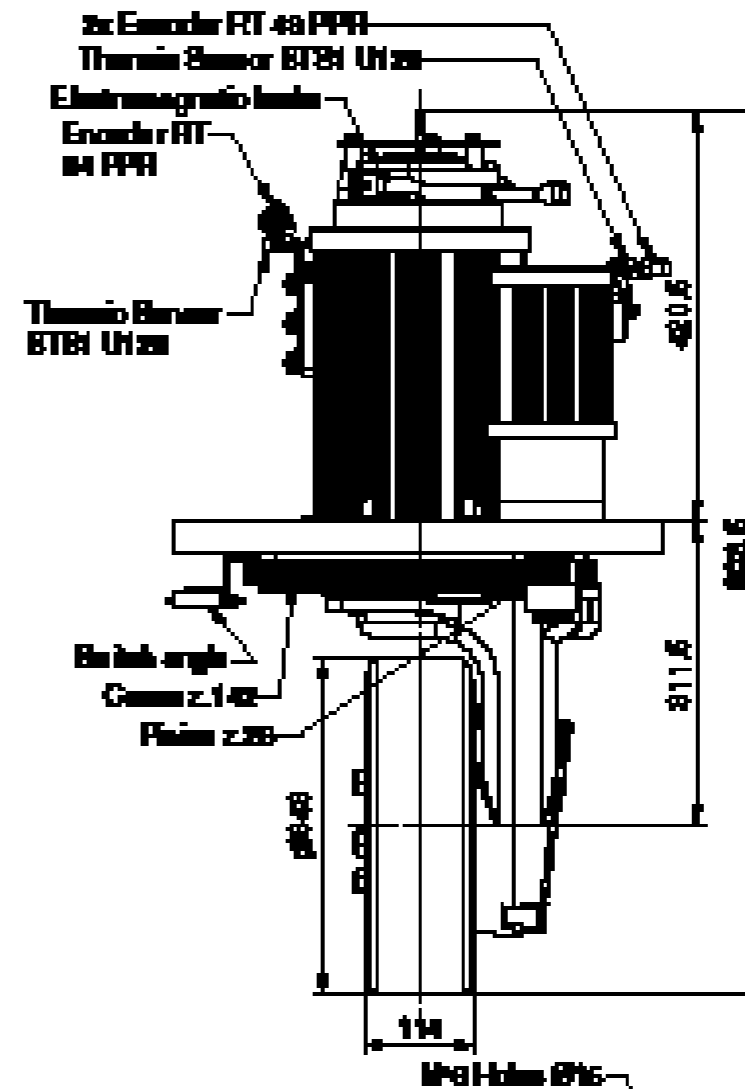


MRT99

Vertical Drive Wheel



WITH STEERING SYSTEM



TRACTION MOTOR DATA

Type	AC / DC / PMAC	
Power	[W]	4000 - 6000
Battery voltage	[V]	24 - 144
Max speed	[Rpm]	3300
Enclosure	IP	20 - 65
Brake torque	[Nm]	32 - 60

STEERING MOTOR DATA

Type	AC / DC / PMAC	
Power	[W]	400 - 800
Battery voltage	[V]	24 - 144
Speed	[Rpm]	3000
Enclosure	IP	20 - 65
Gear ratio	[i]	1:45,56

GEARBOX DATA

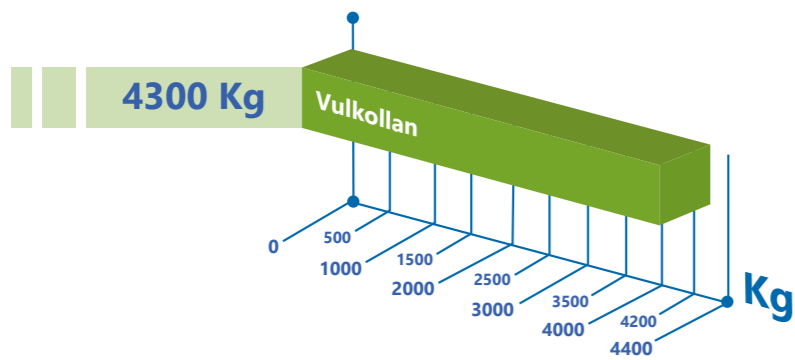
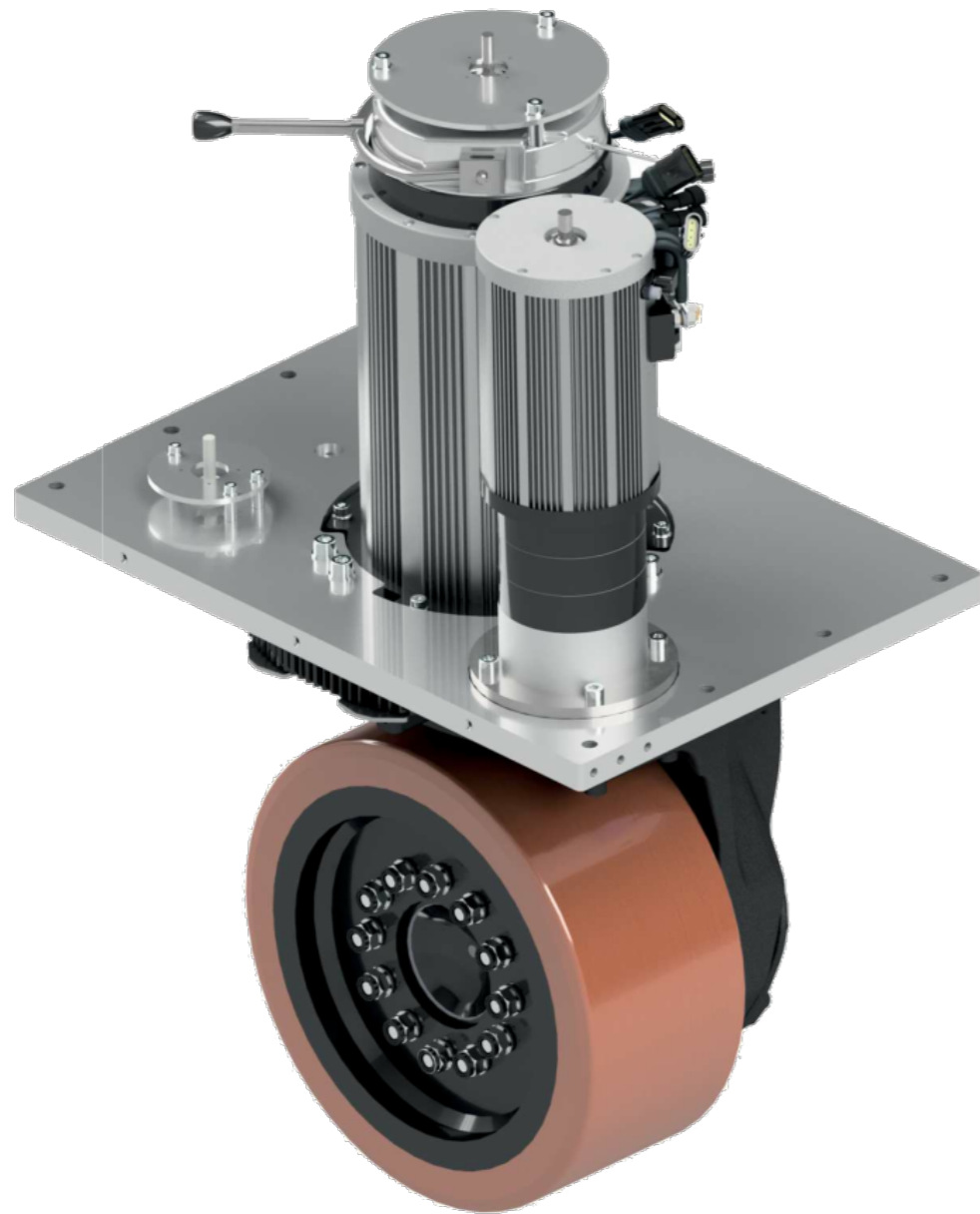
Ratio	[i]	1:17,2	1:20,3
		1:25,6	
Max output	[Nm]	1400	
Lubrication	-	Oil	
Tire size	[mm]	343x114	



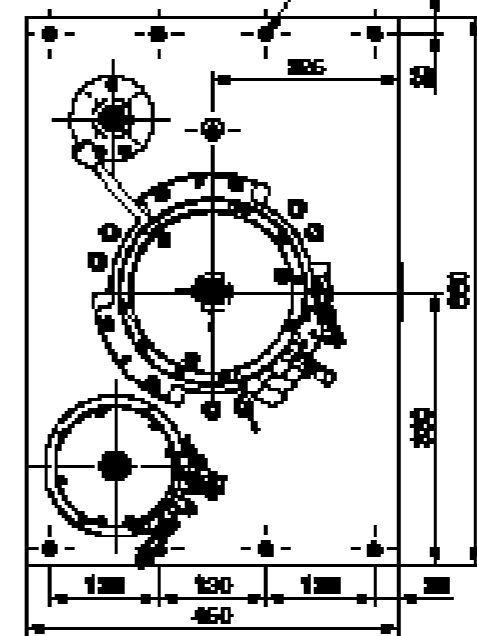
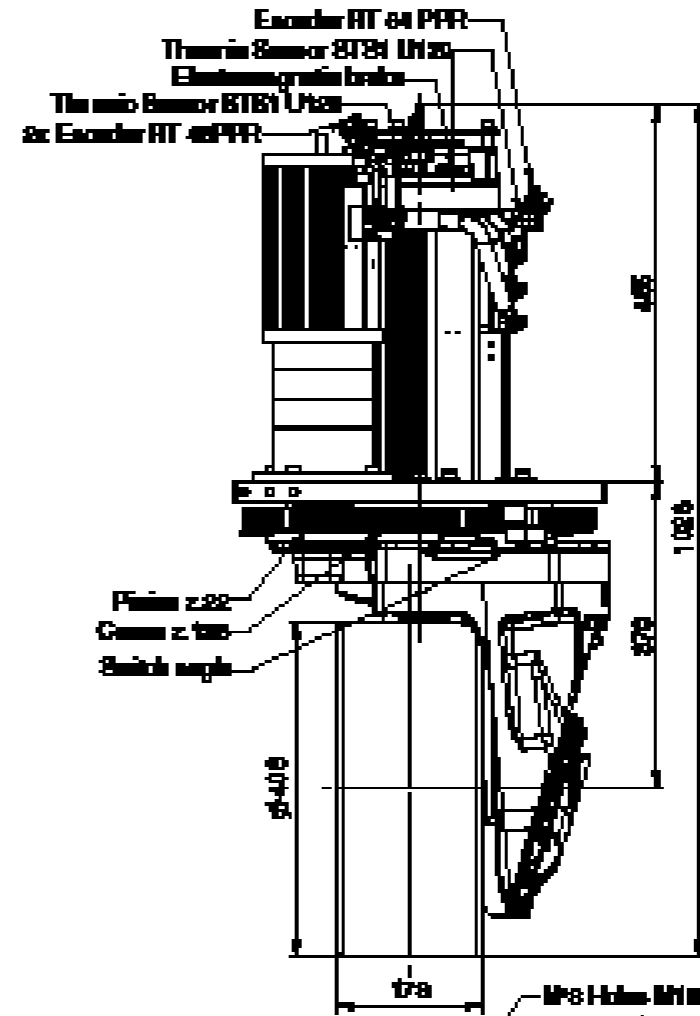
All data in this catalog are indicative.
For detailed information, please contact us.

MRT44

Vertical Drive Wheel



WITH STEERING SYSTEM



TRACTION MOTOR DATA

Type	AC / DC / PMAC	
Power	[W]	4000 - 10000
Battery voltage	[V]	24 - 144
Max speed	[Rpm]	3300
Enclosure	IP	20 - 65
Brake torque	[Nm]	60 - 100

STEERING MOTOR DATA

Type	AC / DC / PMAC	
Power	[W]	800 - 1400
Battery voltage	[V]	24 - 144
Speed	[Rpm]	3000
Enclosure	IP	20 - 65
Gear ratio	[i]	1:45,56

GEARBOX DATA

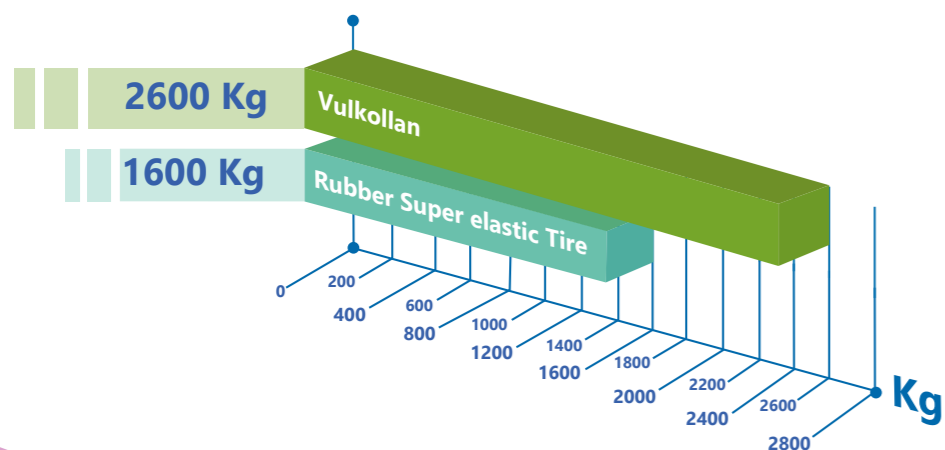
Ratio	[i]	1:20	1:24,4
Max output	[Nm]	2600	
Lubrication	-	Oil	
Tire size	[mm]	406x178	



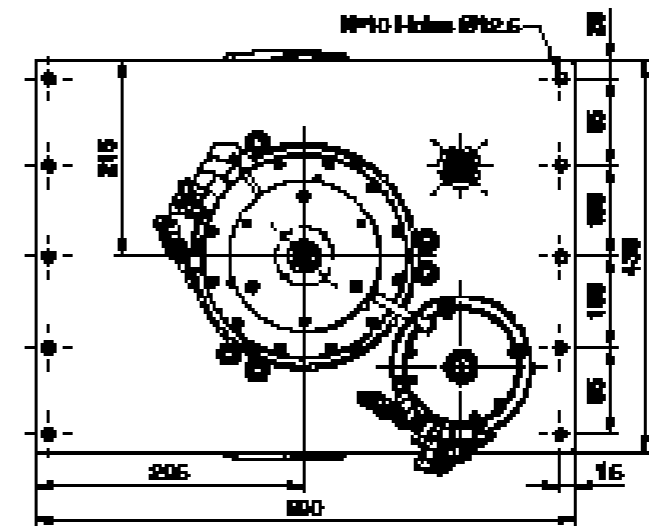
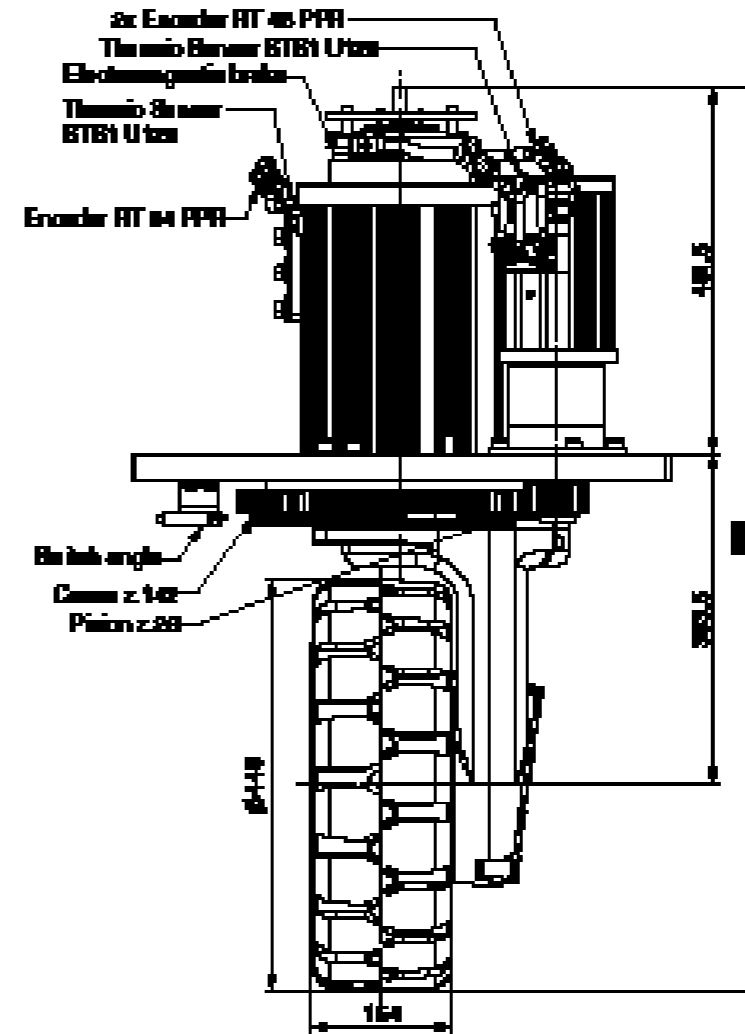
All data in this catalog are indicative.
For detailed information, please contact us.

MRT100

Vertical Drive Wheel



WITH STEERING SYSTEM



ACTION MOTOR DATA

Parameter	AC / DC / PMAC
Power	[W] 4000 - 6000
Battery voltage	[V] 24 - 144
Max speed	[Rpm] 3300
IP closure	IP 20 - 65
Max torque	[Nm] 32 - 80

STEERING MOTOR DATA

Parameter	AC / DC / PMAC
Power	[W] 800 - 1200
Battery voltage	[V] 24 - 144
Max speed	[Rpm] 3000
IP closure	IP 20 - 65
Gear ratio	[i] 1:45,56

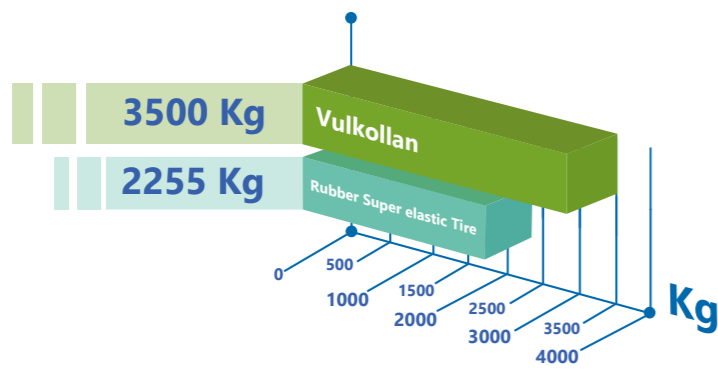
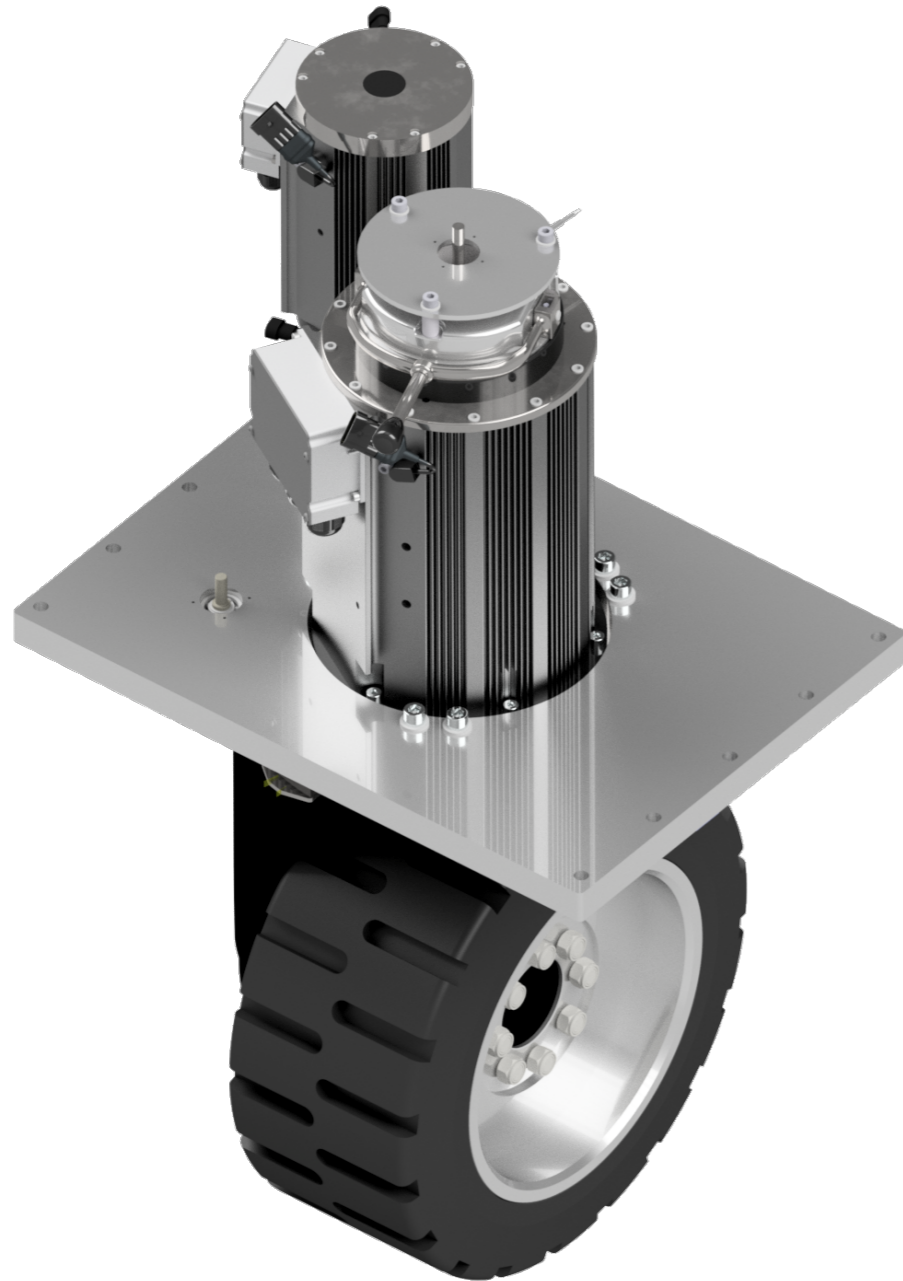
DRYBOX DATA

Parameter	[i]	1:17	1:20,3
Ratio		1:25,6	
Max output	[Nm]	1400	
Lubrication	-	Oil	
Tire size	[mm]	448x154	

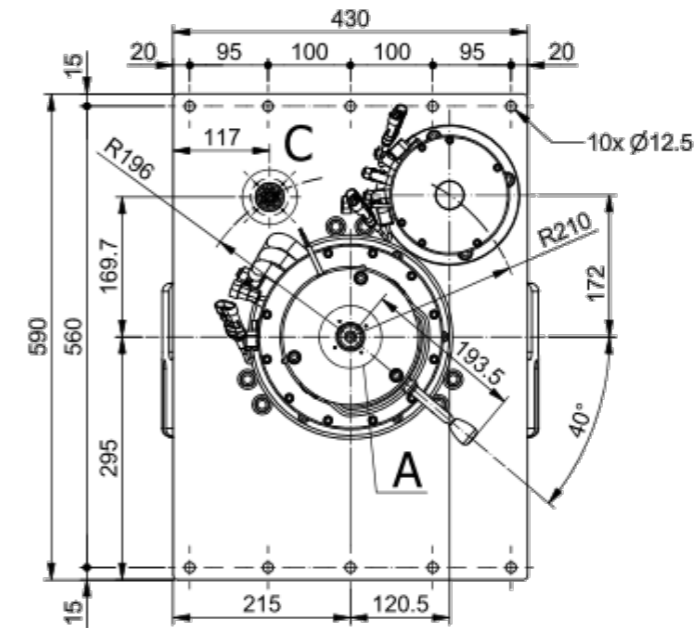
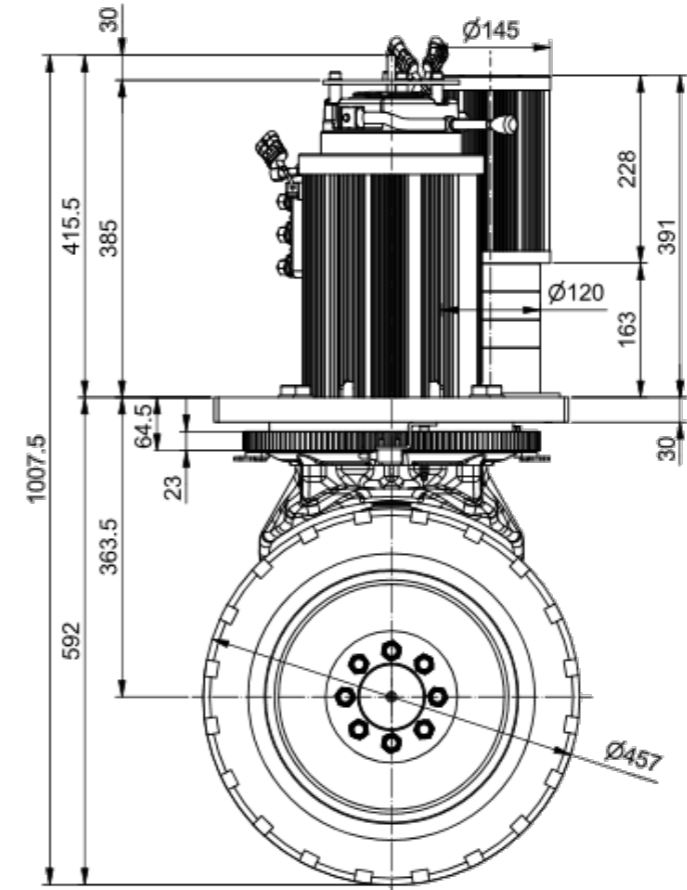


MRT101

Vertical Drive Wheel



WITH STEERING SYSTEM



TRACTION MOTOR DATA

Type	AC / DC / PMAC	
Power	[W]	4000 - 6000
Battery voltage	[V]	24 - 144
Max speed	[Rpm]	3300
Enclosure	IP	20 - 65
Brake torque	[Nm]	32 - 80

STEERING MOTOR DATA

Type	AC / DC / PMAC	
Power	[W]	1200 - 1500
Battery voltage	[V]	24 - 144
Speed	[Rpm]	3000
Enclosure	IP	20 - 65
Gear ratio	[i]	1:50,89

GEARBOX DATA

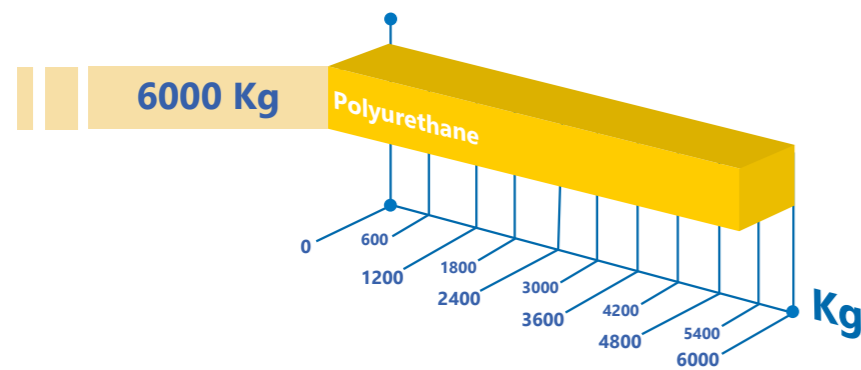
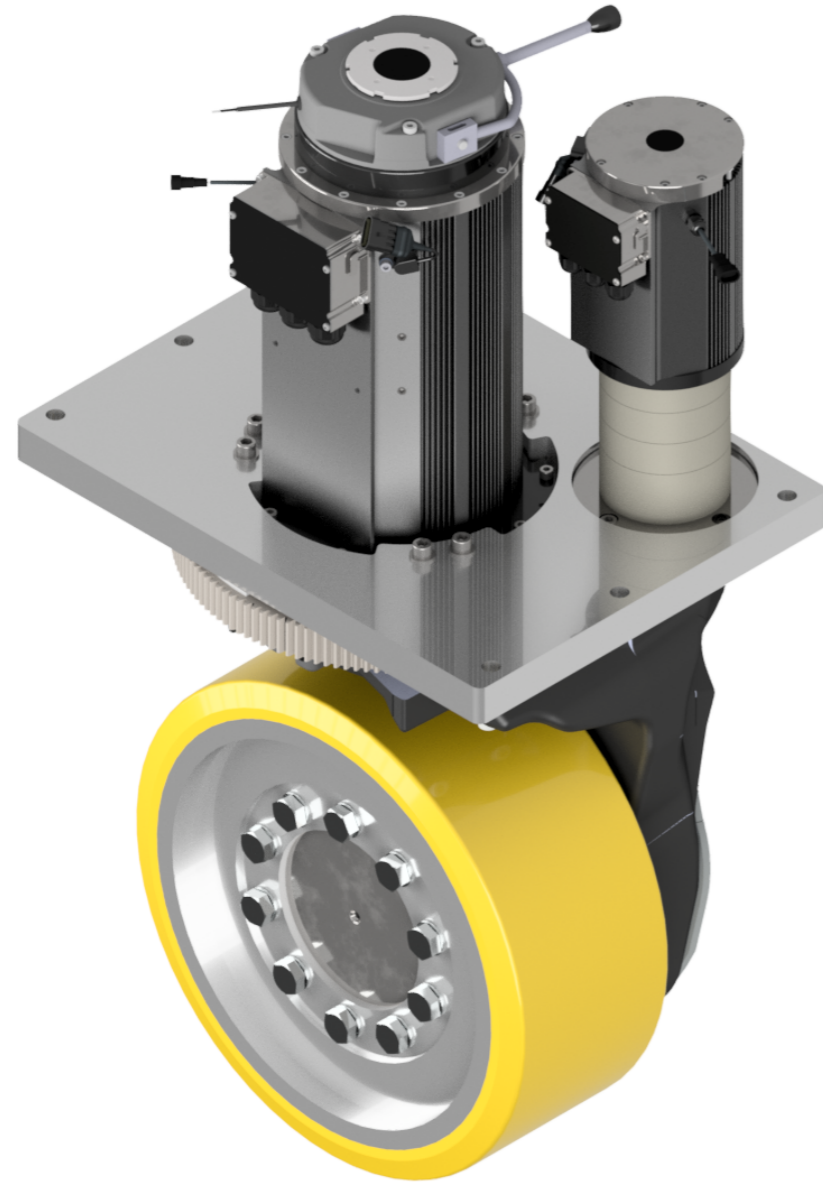
Ratio	[i]	1:17	1:20,3
			1:25,6
Max output	[Nm]	1400	
Lubrication	-	Oil	
Tire size	[mm]	457x203	



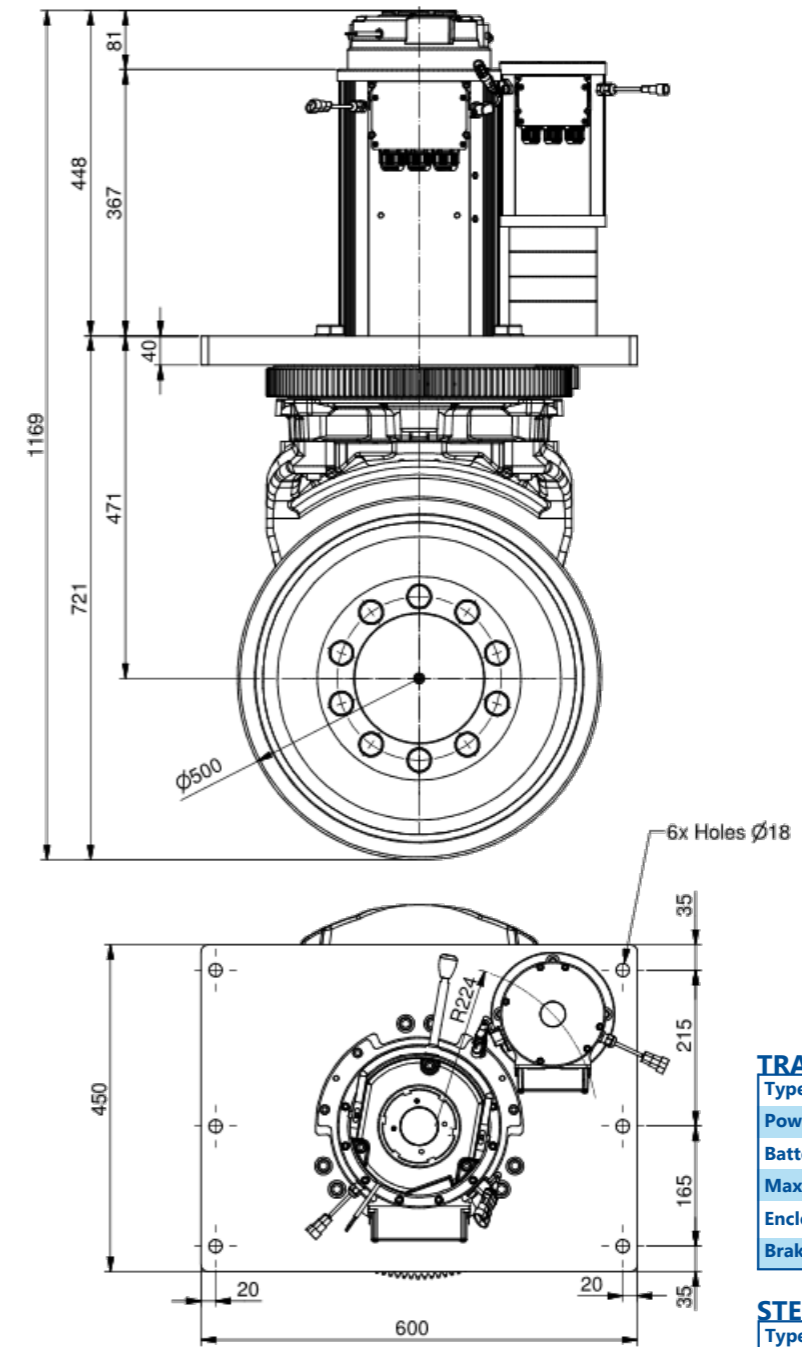
All data in this catalog are indicative.
For detailed information, please contact us.

MRT60

Vertical Drive Wheel



WITH STEERING SYSTEM



TRACTION MOTOR DATA

Type	AC / DC / PMAC	
Power	[W]	5000 - 15000
Battery voltage	[V]	24 - 144
Max speed	[Rpm]	3200
Enclosure	IP	20 - 65
Brake torque	[Nm]	80 - 100

STEERING MOTOR DATA

Type	AC / DC / PMAC	
Power	[W]	1200 - 1500
Battery voltage	[V]	24 - 144
Speed	[Rpm]	3000
Enclosure	IP	20 - 65
Gear ratio	[i]	1:50,89

GEARBOX DATA

Ratio	[i]	1:29,8
Max output	[Nm]	3150
Lubrication	-	Oil
Tire size	[mm]	500x200



All data in this catalog are indicative.
For detailed information, please contact us.

DUAL DRIVE TECHNICAL DETAILS

RE e-Hub Line

TT e-Parallel Line

LL e-Narrow Line

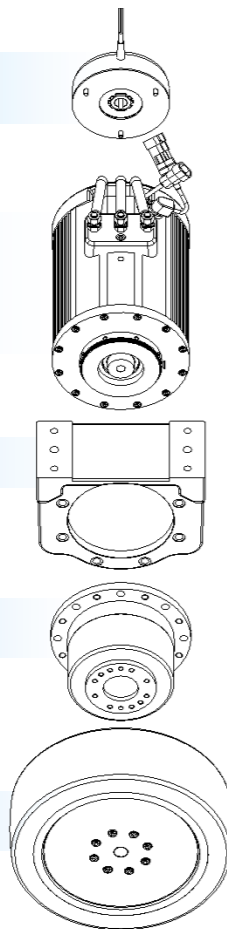
Electromagnetic Brake

Traction Motor
AC - DC - BR

Plate

Traction Gearbox

Wheel



	RE44	RE120	RE260	RE900	RE1000	RE3000	RE9000
Nominal motor power [W]	200-700	500-1500	1000-2500	600-3000	1500-8000	4000-10000	4000-15000
Max wheel load [Kg]	250	470	750	1500	1500	4500	7000
Max wheel torque [Nm]	44	120	260	900	1000	3000	9000
Nominal wheel torque [Nm]	30	85	180	600	600	2000	5000
Max vehicle speed [Km/h]	7,2	7,2	7,2	-	-	-	-
Tire diameter [mm]	160	200	250	>300	>350	>300	>400
Lubrication	oil			●	●	●	●
	grease ●	●	●				
Available Gearbox [i]	1:15	1:20	1:20	1:52,3	1:13,6	1:14	1:55,3
Ratio	1:20	1:32	1:32		1:25	1:23	1:29,2

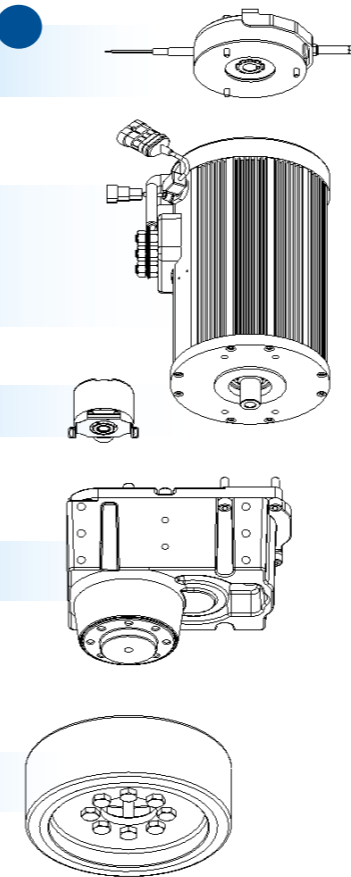
Electromagnetic Brake

Traction Motor
AC - DC - BR

Encoder

Traction Gearbox

Wheel



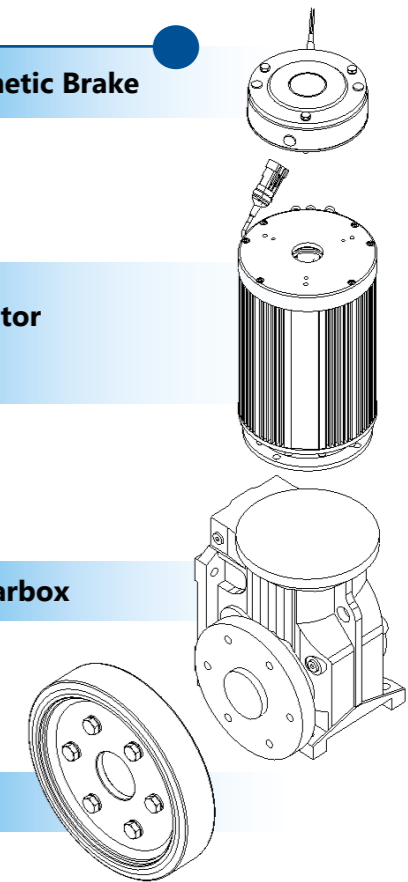
	TT16	TT20
Nominal motor power [W]	400-2500	400-2500
Max wheel load [Kg]	500	800
Max wheel torque [Nm]	300	300
Nominal wheel torque [Nm]	150	150
Max vehicle speed [Km/h]	7,2	9
Tire diameter [mm]	160	200
Lubrication	oil ●	●
	grease	
Available Gearbox [i]	1:12,5	1:12,5
Ratio	1:25,5	1:25,5

Electromagnetic Brake

Traction Motor
AC - DC - BR

Traction Gearbox

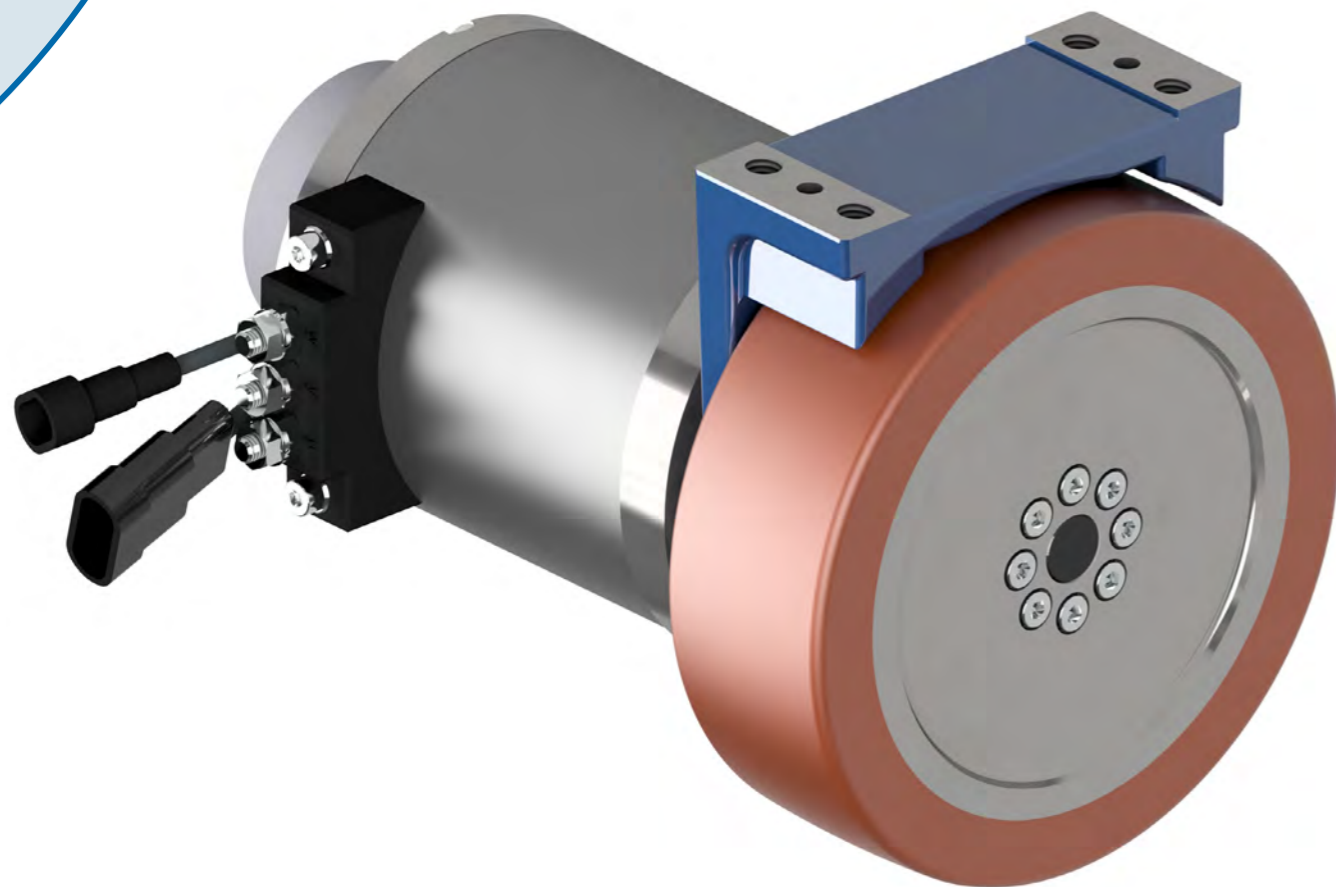
Wheel



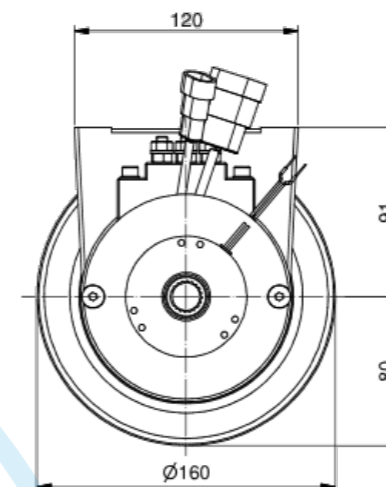
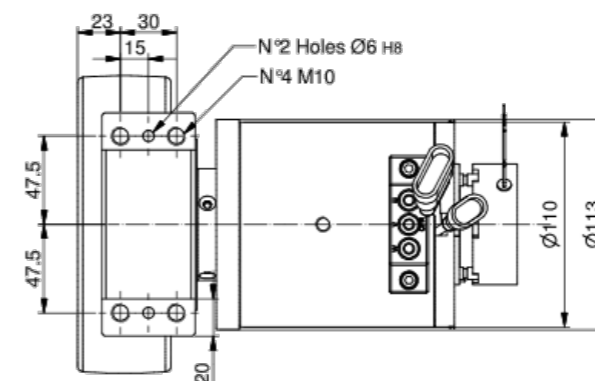
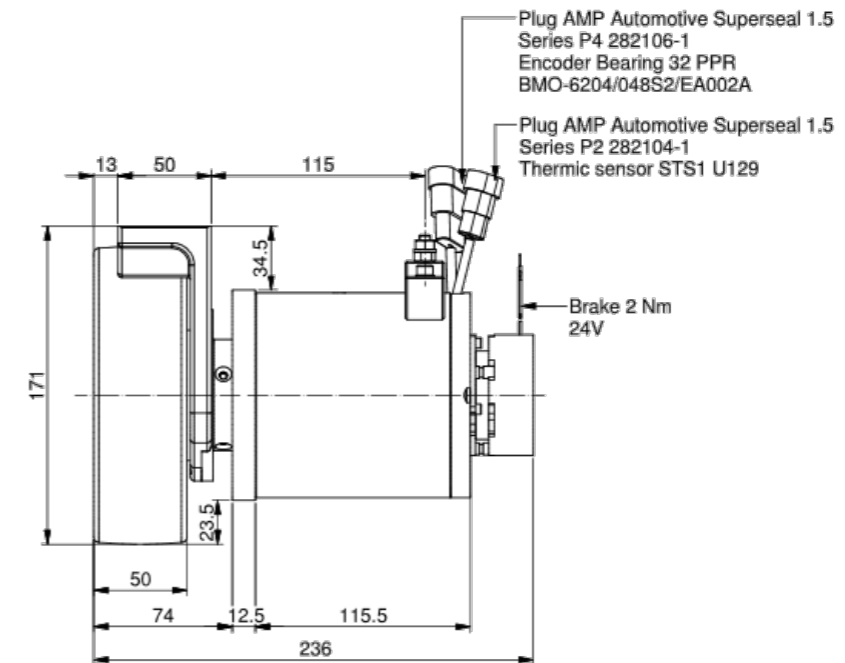
	LL20	LL25
Nominal motor power [W]	400-1200	800-2500
Max wheel load [Kg]	250	600
Max wheel torque [Nm]	120	300
Nominal wheel torque [Nm]	60	150
Max vehicle speed [Km/h]	7,2	7,2
Tire diameter [mm]	200	250
Lubrication	oil ●	●
	grease	
Available Gearbox [i]	1:12	1:15,6
Ratio	1:20	1:25,9

RE44

e-Hub Drive Wheel



TECHNICAL SPECIFICATION

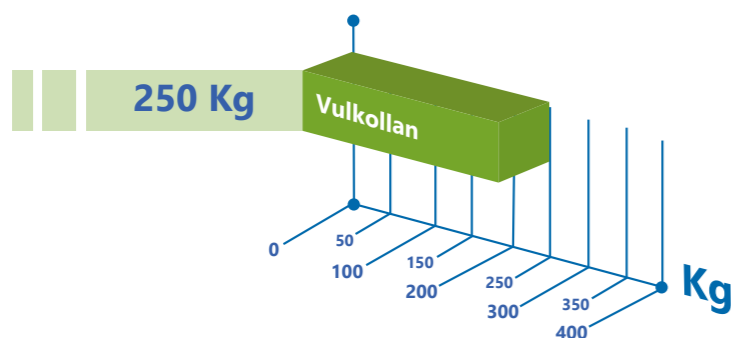


TRACTION MOTOR DATA

Type	AC / DC / PMAC	
Power	[W]	200 - 700
Battery voltage	[V]	12 - 144
Max speed	[Rpm]	3500
Enclosure	IP	20 - 65
Brake torque	[Nm]	2

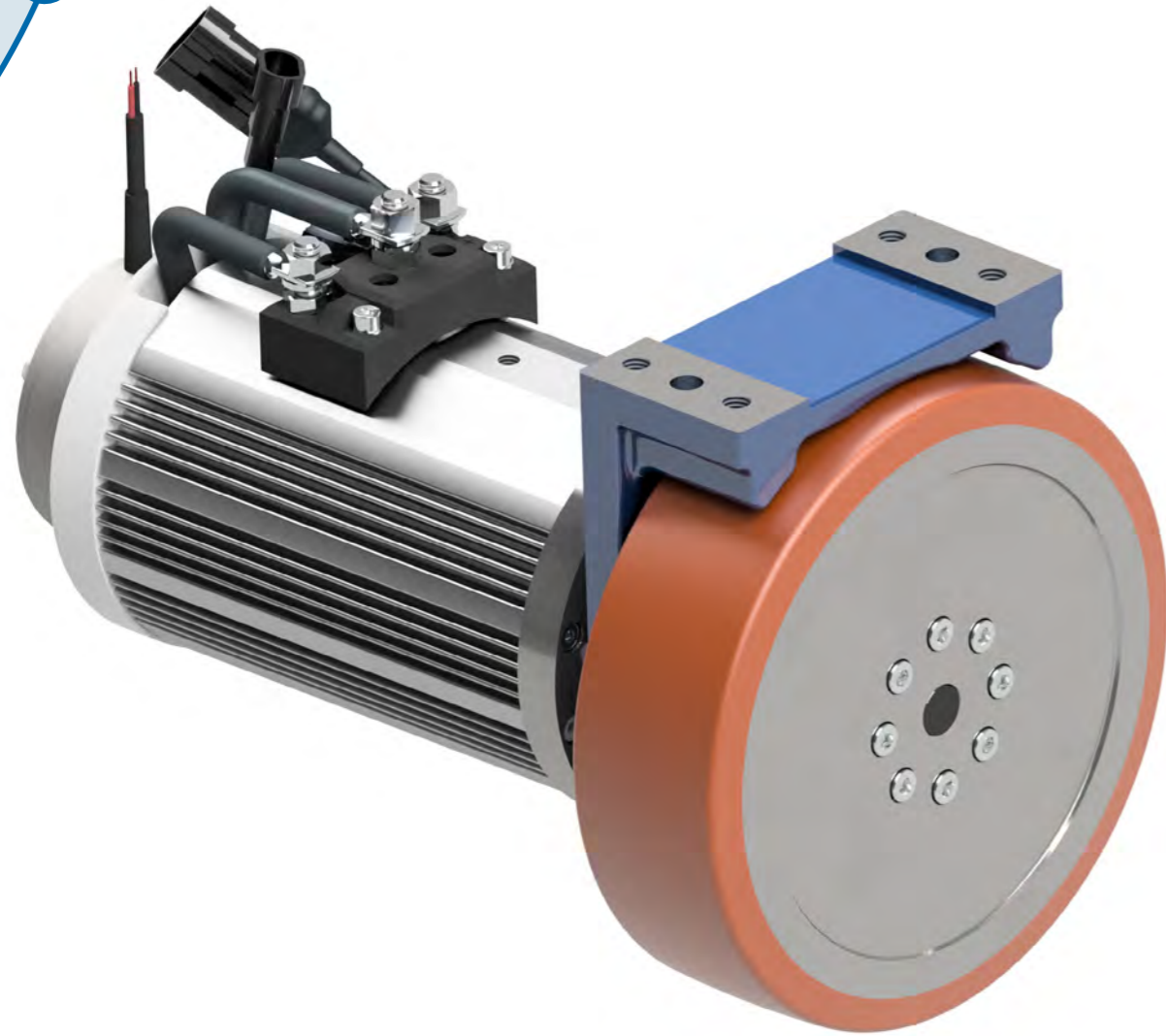
GEARBOX DATA

Ratio	[i]	1:15	1:20
Max Wheel Torque	[Nm]	44	
Lubrication	-	Grease	
Wheel Diameter	[mm]	160	
Max Wheel Load	[Kg]	250	
Max Vehicle Speed	[Km/h]	7,2	

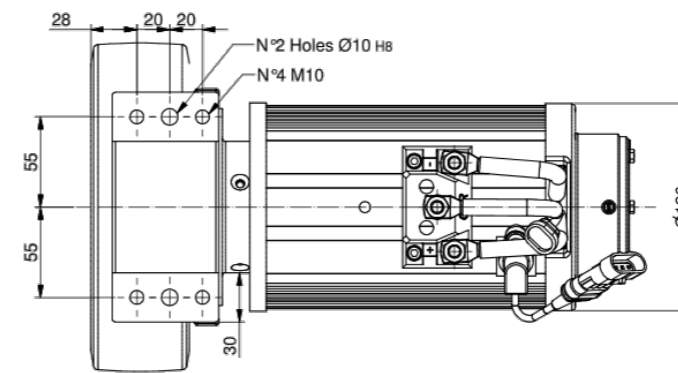
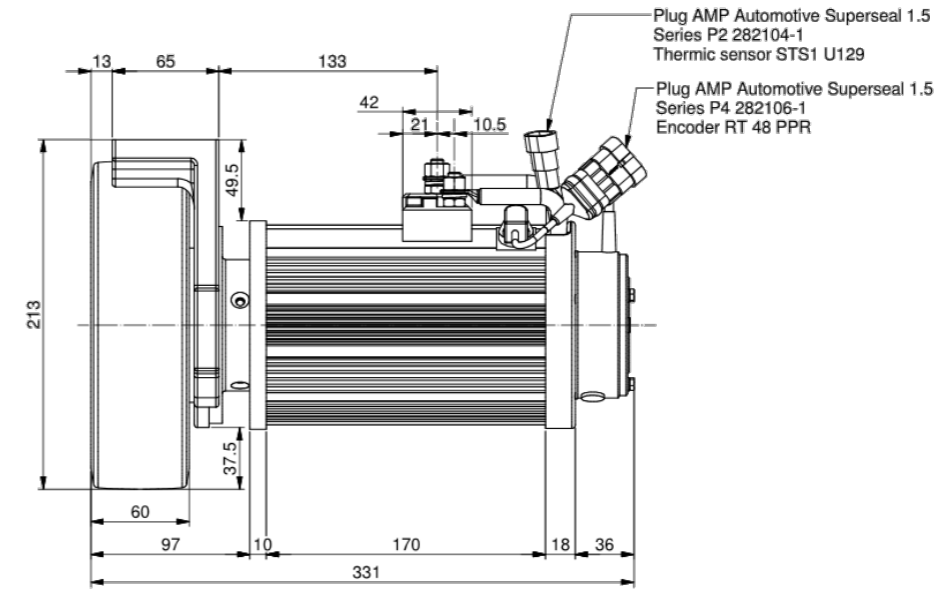


RE120

e-Hub Drive Wheel



TECHNICAL SPECIFICATION

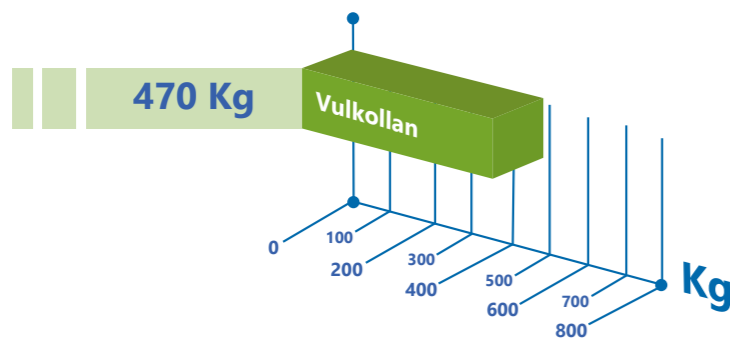
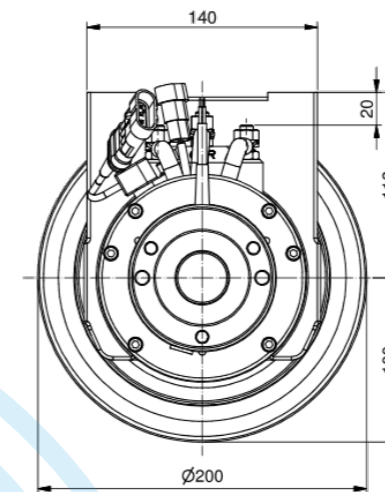


TRACTION MOTOR DATA

Type	AC / DC / PMAC	
Power	[W]	500 - 1500
Battery voltage	[V]	12 - 144
Max speed	[Rpm]	3500
Enclosure	IP	20 - 65
Brake torque	[Nm]	5

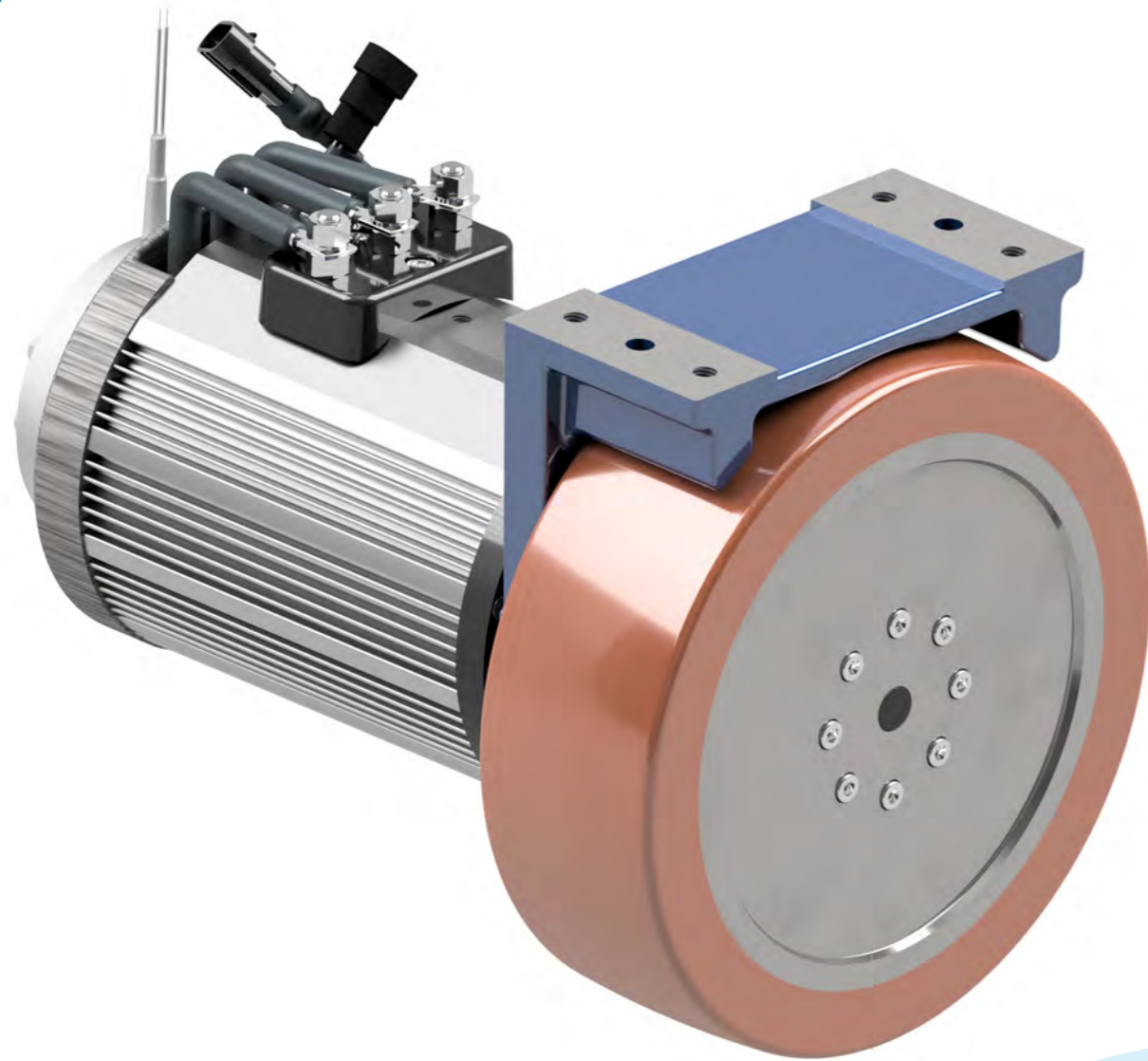
GEARBOX DATA

Ratio	[i]	
	1:20	1:32
Max Wheel Torque	[Nm]	120
Lubrication	-	Grease
Wheel Diameter	[mm]	200
Max Wheel Load	[Kg]	470
Max Vehicle Speed	[Km/h]	7,2

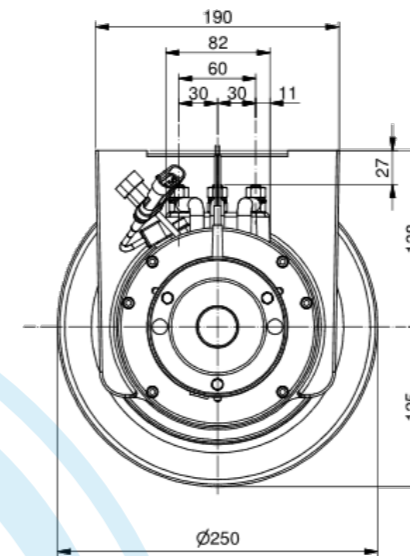
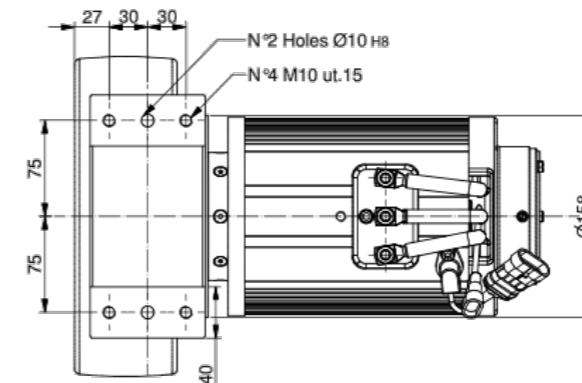
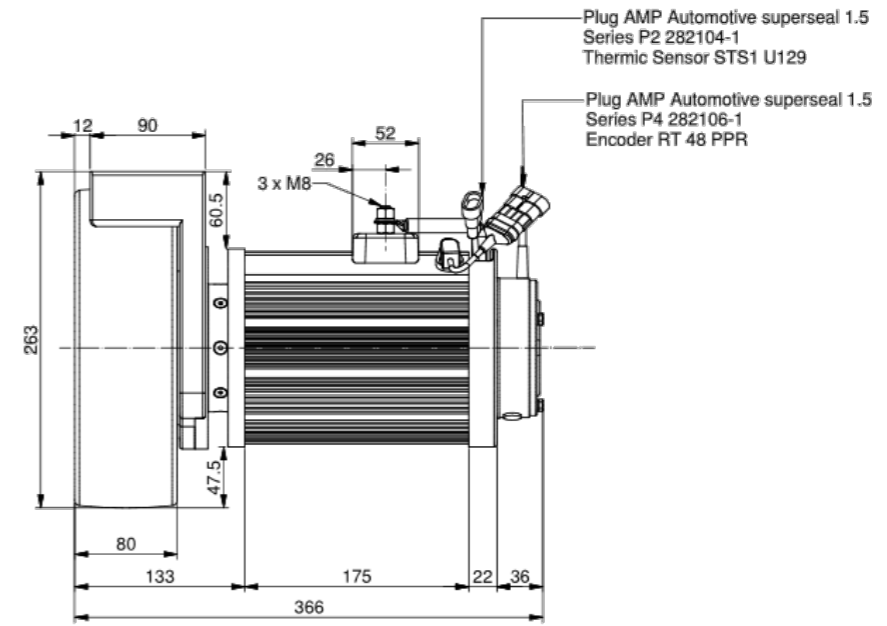


RE260

e-Hub Drive Wheel



TECHNICAL SPECIFICATION

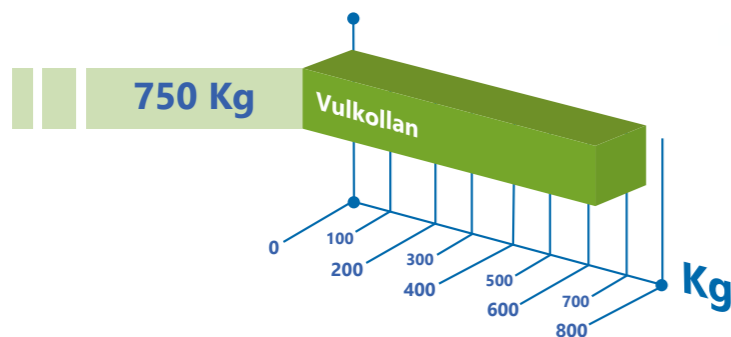


TRACTION MOTOR DATA

Type	AC / DC / PMAC	
Power	[W]	1000 - 2500
Battery voltage	[V]	12 - 144
Max speed	[Rpm]	3000
Enclosure	IP	20 - 65
Brake torque	[Nm]	10

GEARBOX DATA

Ratio	[i]	1:20	1:32
Max Wheel Torque	[Nm]	260	
Lubrication	-	Grease	
Wheel Diameter	[mm]	250	
Max Wheel Load	[Kg]	750	
Max Vehicle Speed	[Km/h]	7,2	

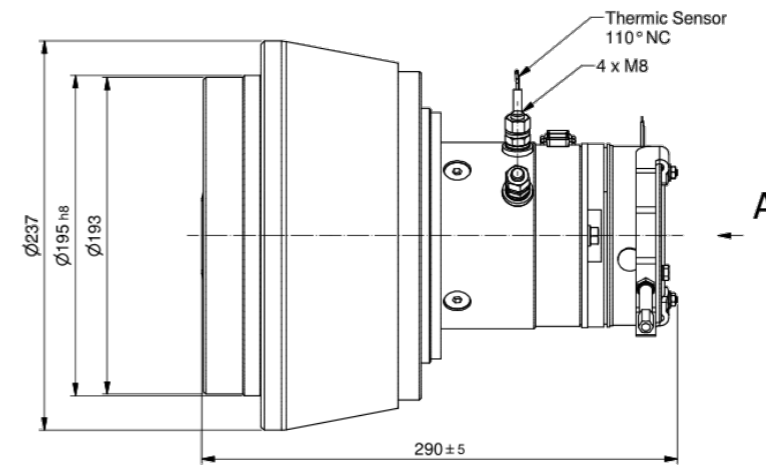


RE900

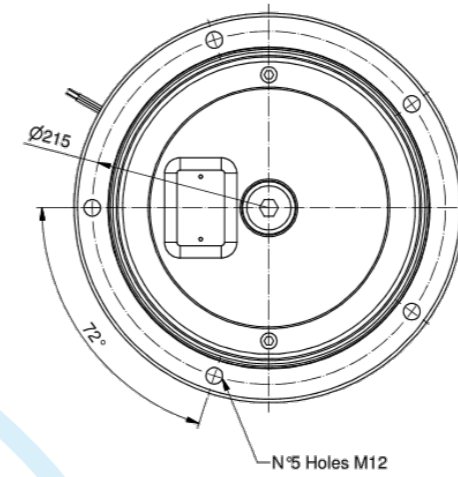
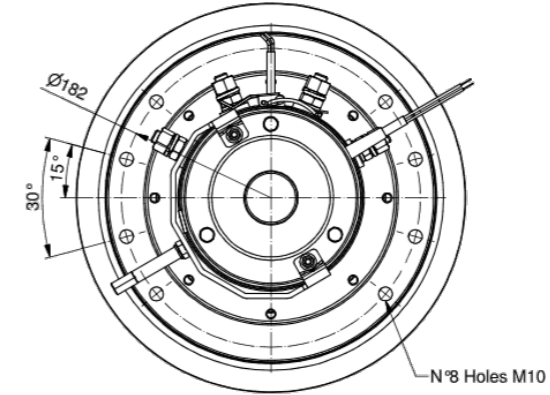
e-Hub Drive Wheel



TECHNICAL SPECIFICATION



View A
Scale (1:3)

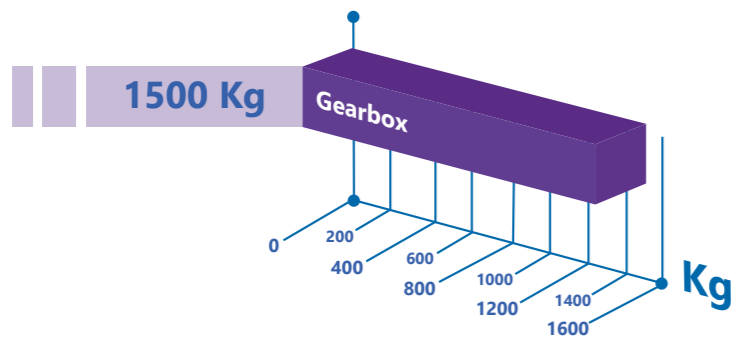


TRACTION MOTOR DATA

Type	AC / DC / PMAC	
Power	[W]	600 - 3000
Battery voltage	[V]	12 - 144
Max speed	[Rpm]	2000
Enclosure	IP	20 - 67
Brake torque	[Nm]	20

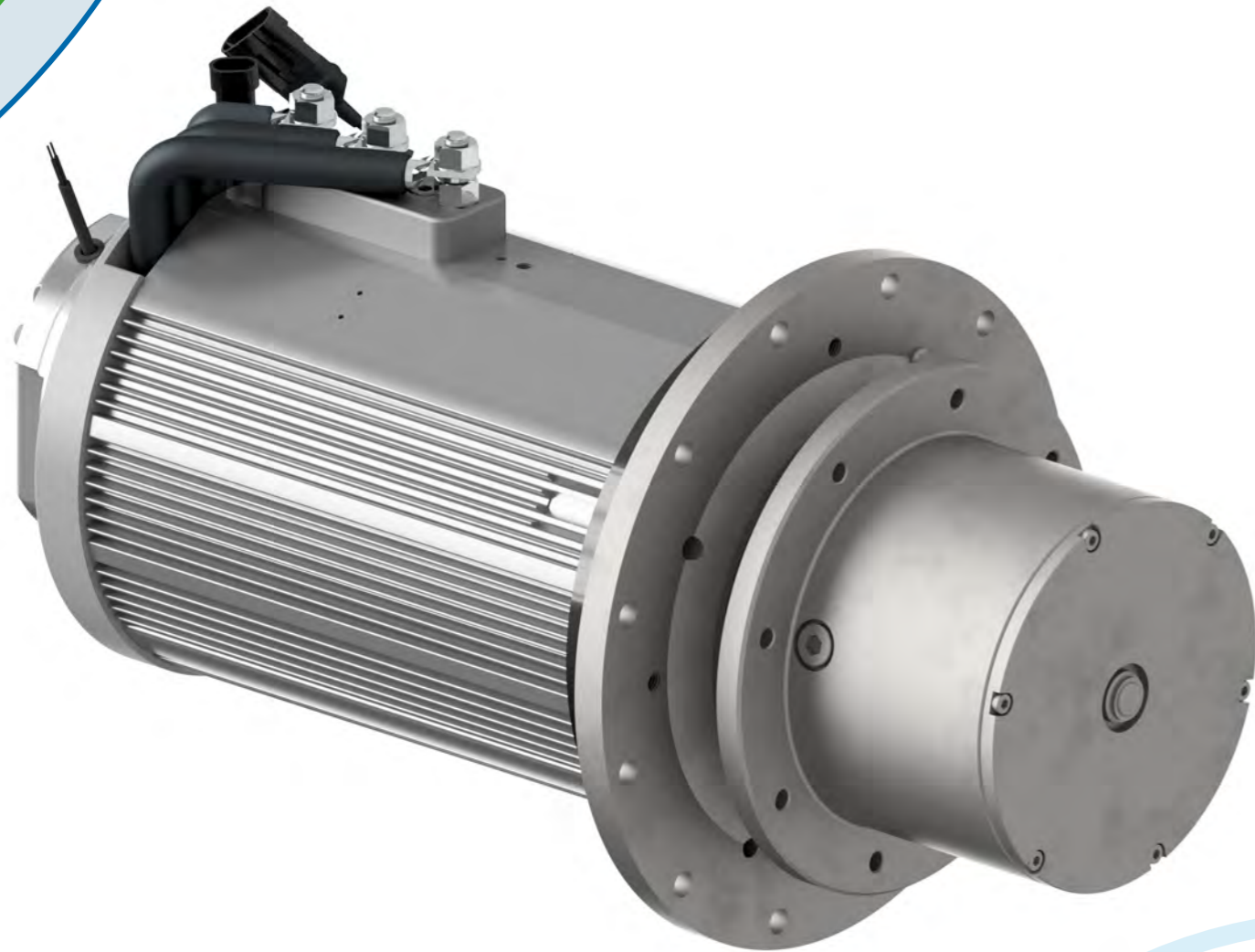
GEARBOX DATA

Ratio	[i]	1:52,3	
Max Wheel Torque	[Nm]	900	
Lubrication	-	Oil	
Wheel Diameter	[mm]	>300	
Max Wheel Load	[Kg]	1500	

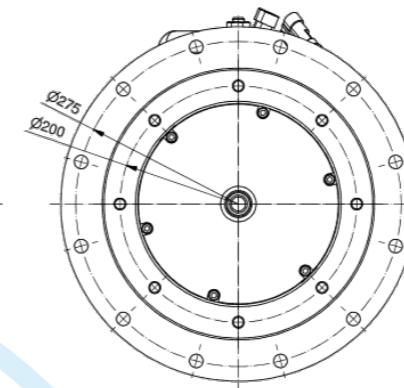
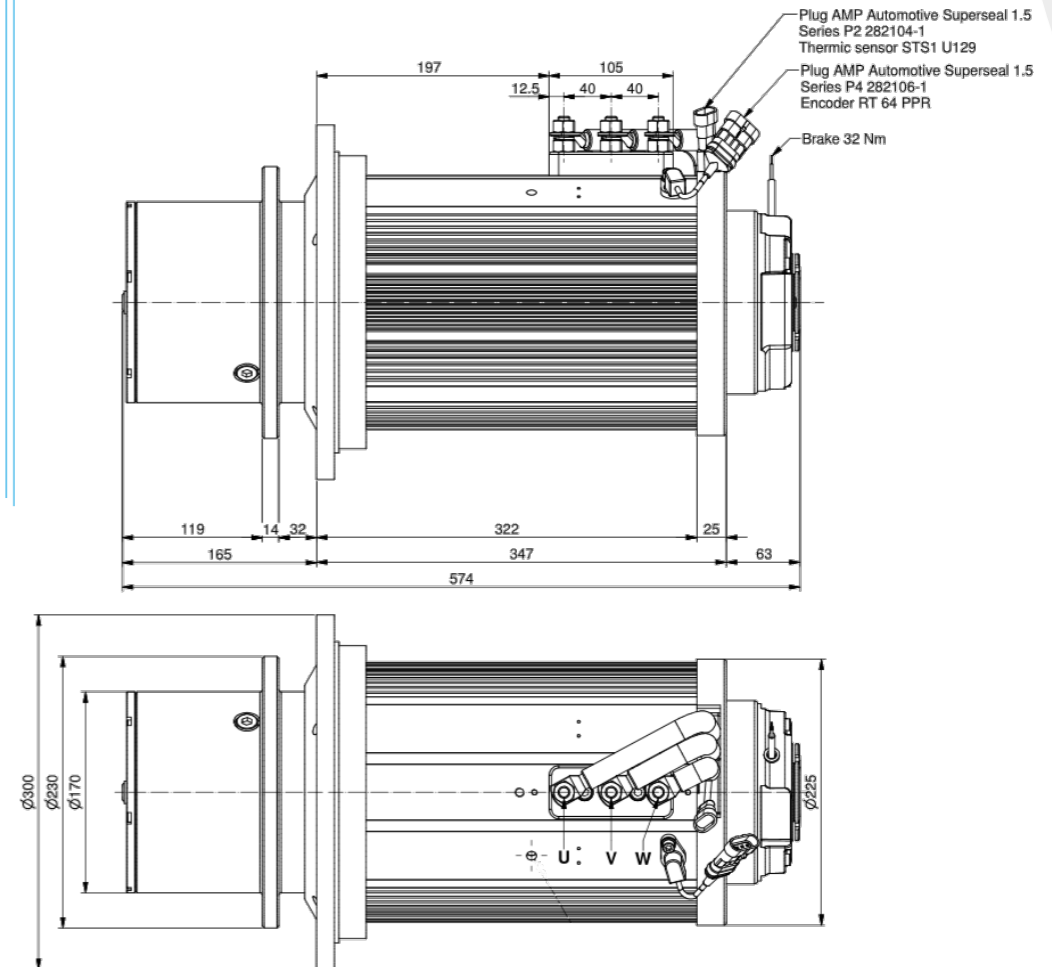


RE1000

e-Hub Drive Wheel



TECHNICAL SPECIFICATION

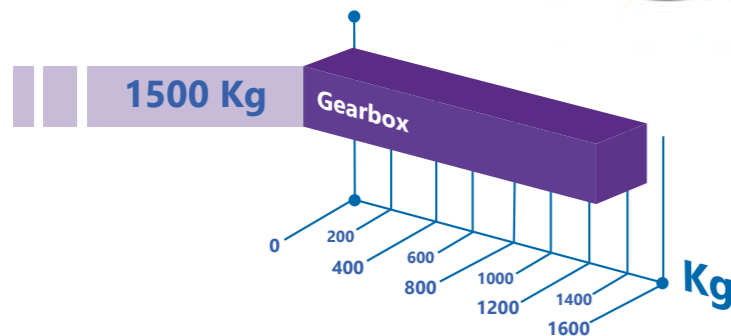


TRACTION MOTOR DATA

Type	AC / DC / PMAC	
Power	[W]	1500 - 8000
Battery voltage	[V]	12 - 144
Max speed	[Rpm]	2000
Enclosure	IP	20 - 67
Brake torque	[Nm]	20 - 60

GEARBOX DATA

Ratio	[i]	1:13,6	1:25
Max Wheel Torque	[Nm]	1000	
Lubrication	-	Oil	
Wheel Diameter	[mm]	>350	
Max Wheel Load	[Kg]	1500	

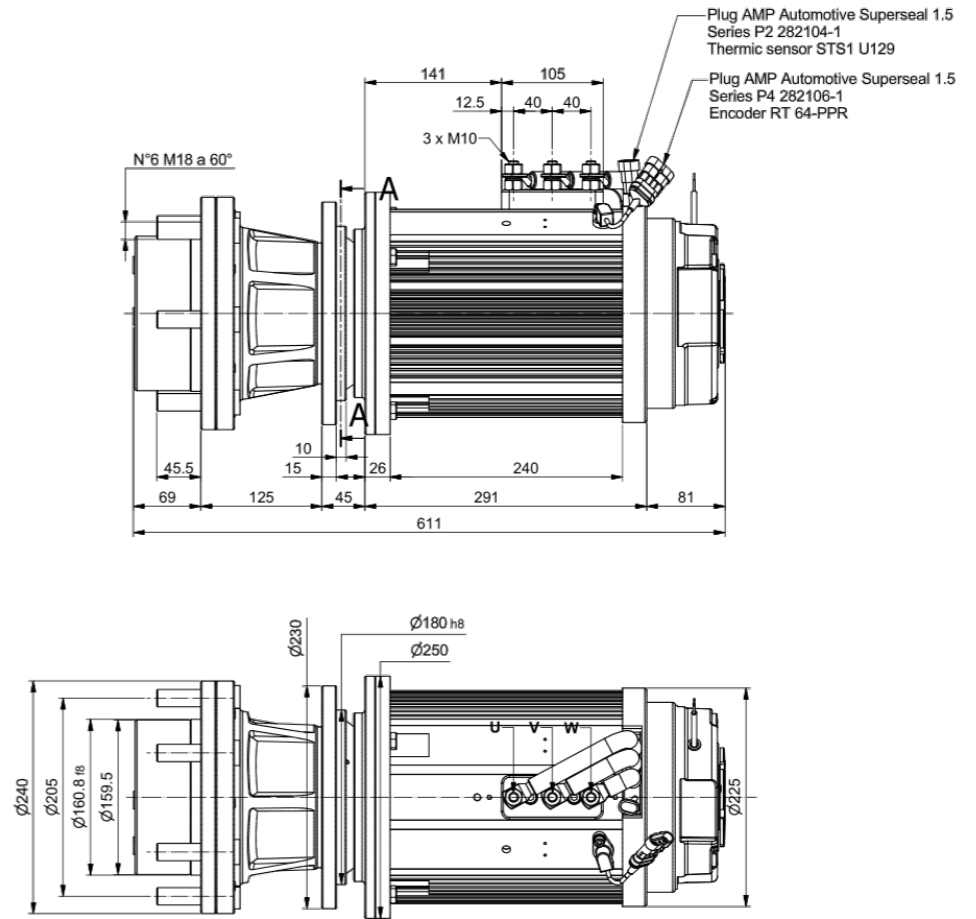


RE3000

e-Hub Drive Wheel



TECHNICAL SPECIFICATION

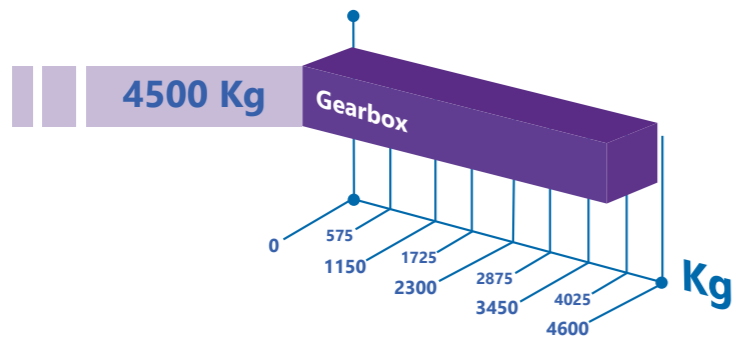


TRACTION MOTOR DATA

Type	AC / DC / PMAC	
Power	[W]	4000 - 10000
Battery voltage	[V]	12 - 144
Max speed	[Rpm]	1500
Enclosure	IP	20 - 67
Brake torque	[Nm]	60 - 100

GEARBOX DATA

Ratio	[i]	1:14	1:23
		1:29,2	
Max Wheel Torque	[Nm]	3000	
Lubrication	-	Oil	
Wheel Diameter	[mm]	>300	
Max Wheel Load	[Kg]	4500	

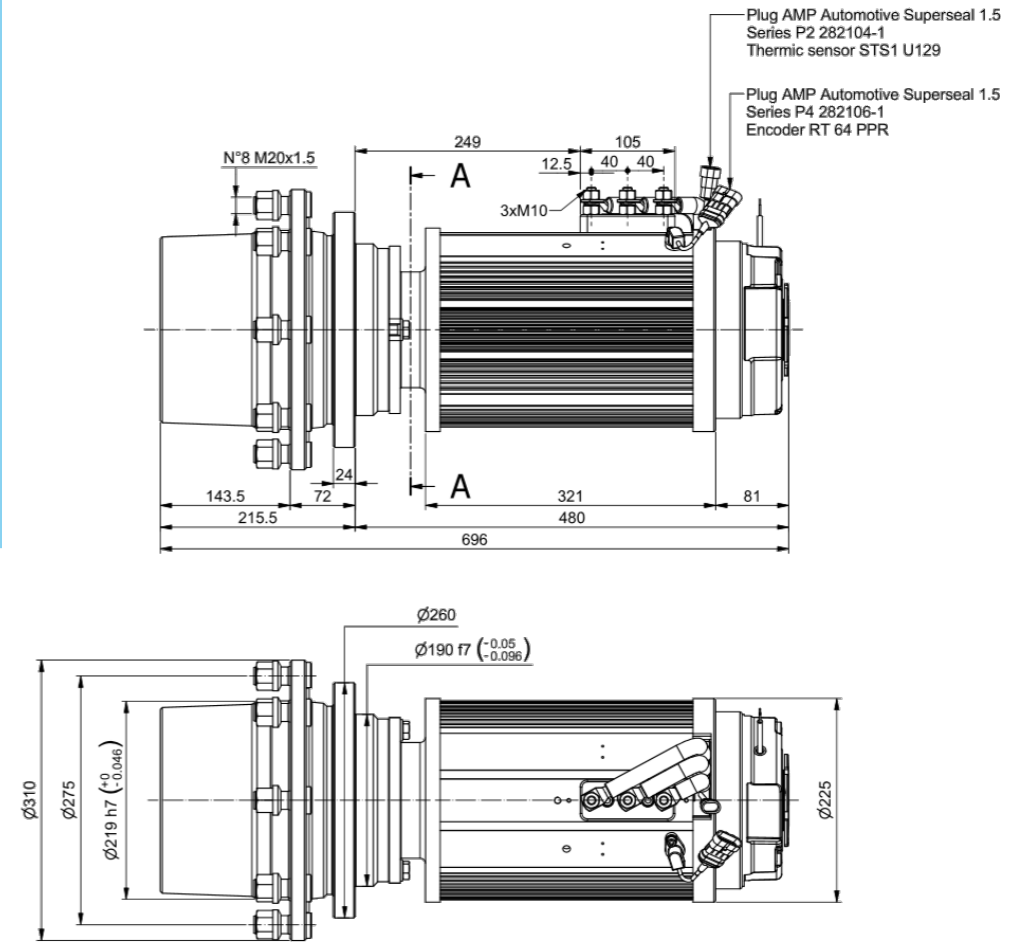


RE9000

e-Hub Drive Wheel



TECHNICAL SPECIFICATION

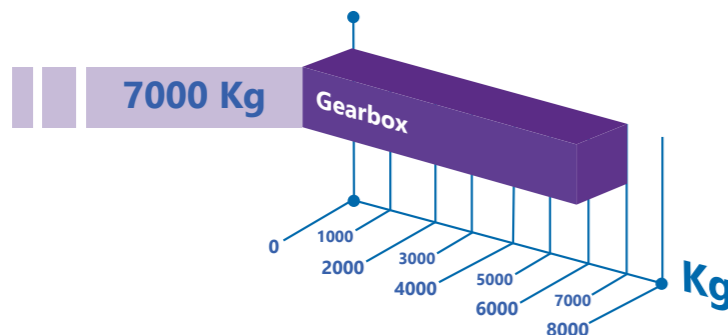


TRACTION MOTOR DATA

Type	AC / DC / PMAC	
Power	[W]	4000 - 15000
Battery voltage	[V]	12 - 144
Max speed	[Rpm]	2000
Enclosure	IP	20 - 67
Brake torque	[Nm]	60 - 125

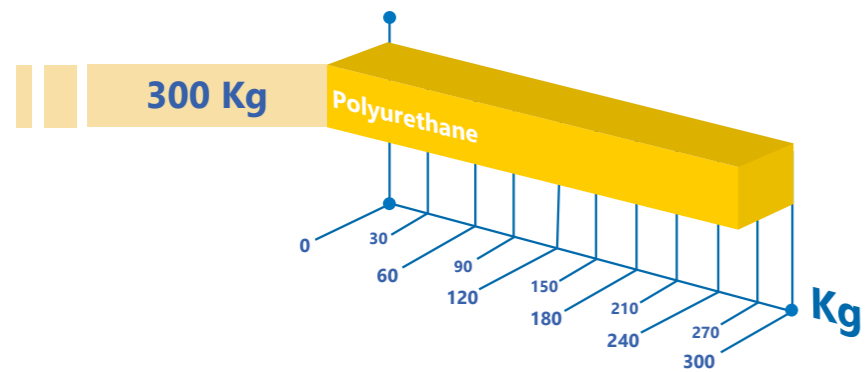
GEARBOX DATA

Ratio	[i]	1:55,3
Max Wheel Torque	[Nm]	9000
Lubrication	-	Oil
Wheel Diameter	[mm]	>400
Max Wheel Load	[Kg]	7000

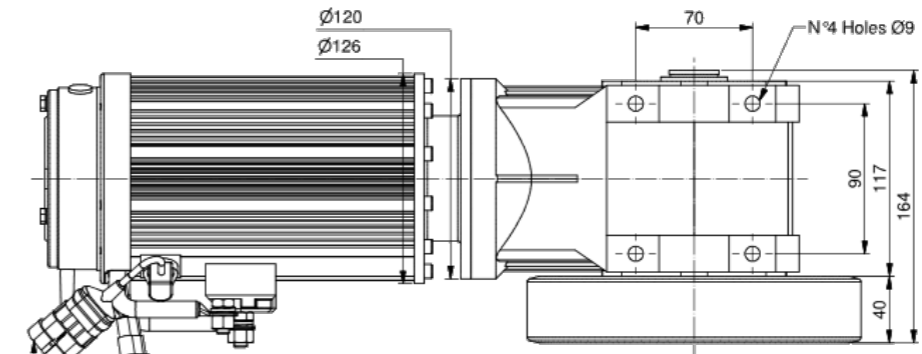
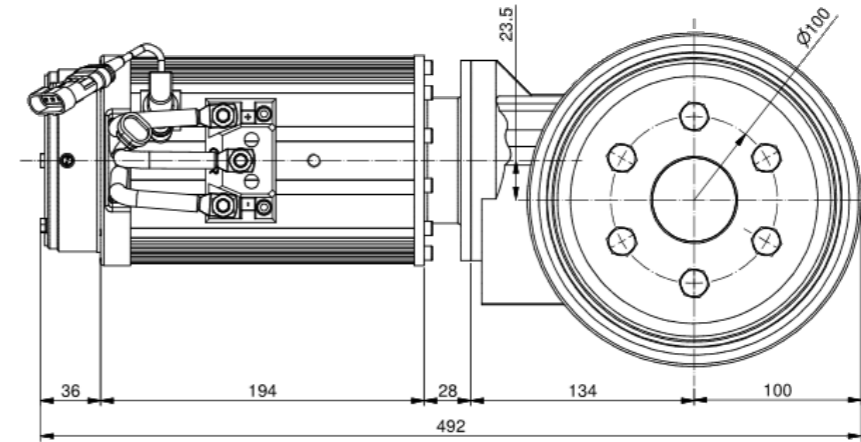


LL20

e-Narrow Drive Wheel

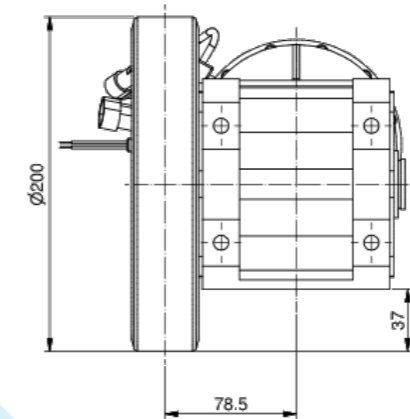


TECHNICAL SPECIFICATION



Plug AMP Automotive Superseal 1.5
Series P2 282104-1
Thermic sensor STS1 U129

Plug AMP Automotive Superseal 1.5
Series P4 282106-1
Encoder RT 48 PPR



TRACTION MOTOR DATA

Type	AC / DC / PMAC	
Power	[W]	400 - 1200
Battery voltage	[V]	12 - 144
Max speed	[Rpm]	2500
Enclosure	IP	20 - 67
Brake torque	[Nm]	5 - 10

GEARBOX DATA

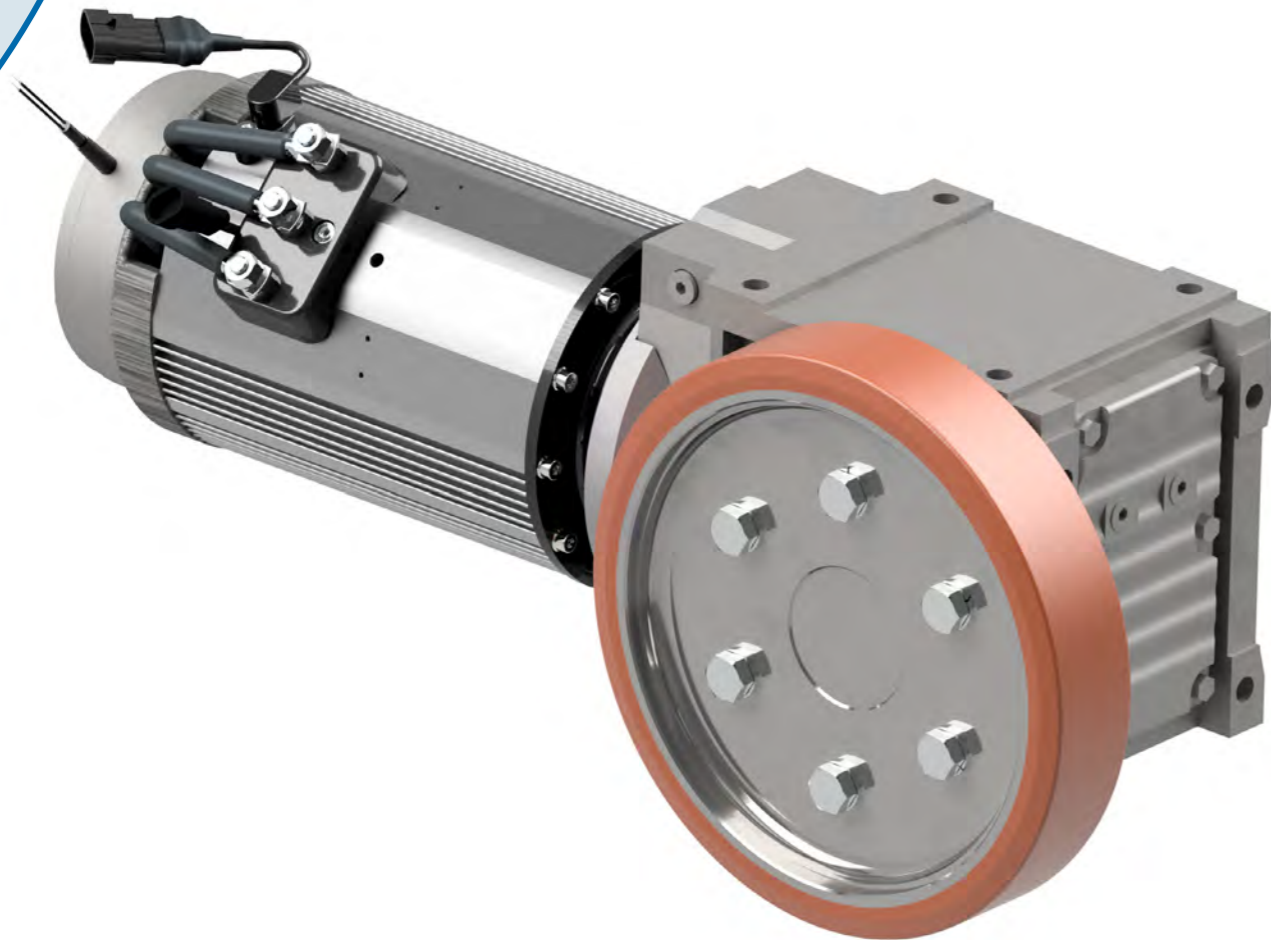
Ratio	[i]	from 1:5 to 1:55 standard 1:12 / 1:20
Max Wheel Torque	[Nm]	120
Lubrication	-	Oil
Wheel Diameter	[mm]	200
Max Wheel Load	[Kg]	300
Max Vehicle Speed	[Km/h]	7,2



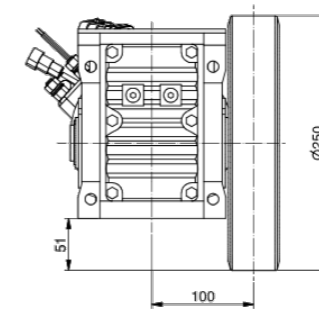
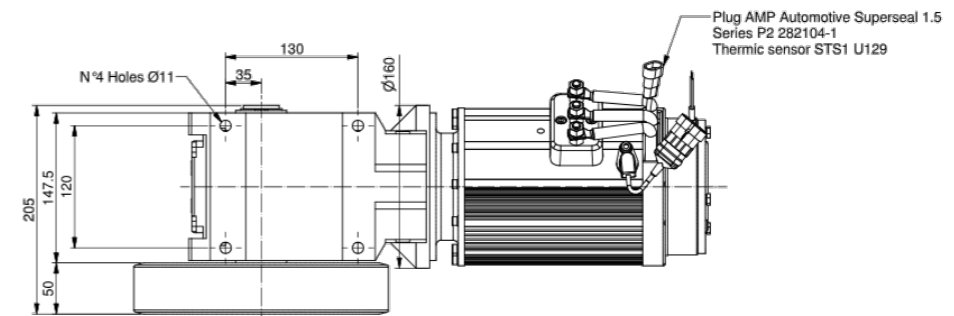
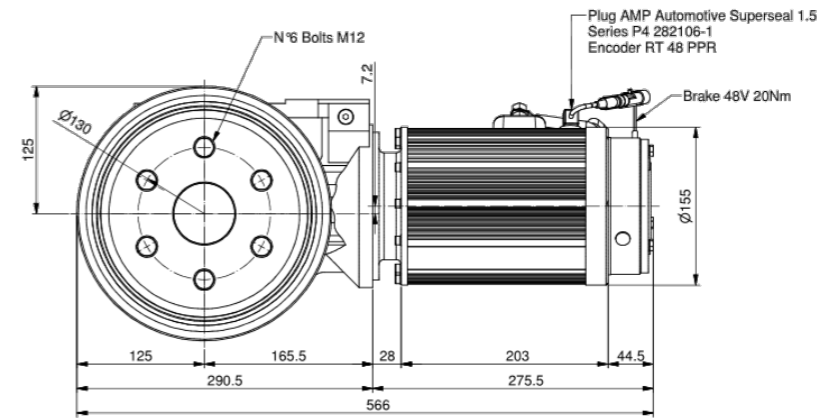
All data in this catalog are indicative.
For detailed information, please contact us.

LL25

e-Narrow Drive Wheel



TECHNICAL SPECIFICATION

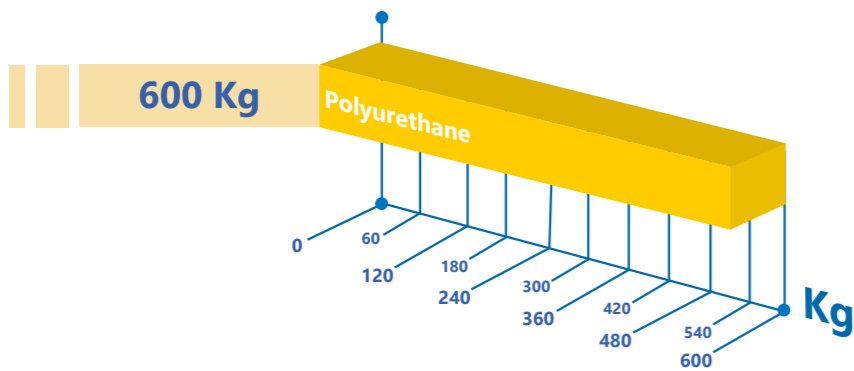


TRACTION MOTOR DATA

Type	AC / DC / PMAC	
Power	[W]	800 - 2500
Battery voltage	[V]	12 - 144
Max speed	[Rpm]	2500
Enclosure	IP	20 - 67
Brake torque	[Nm]	8 - 20

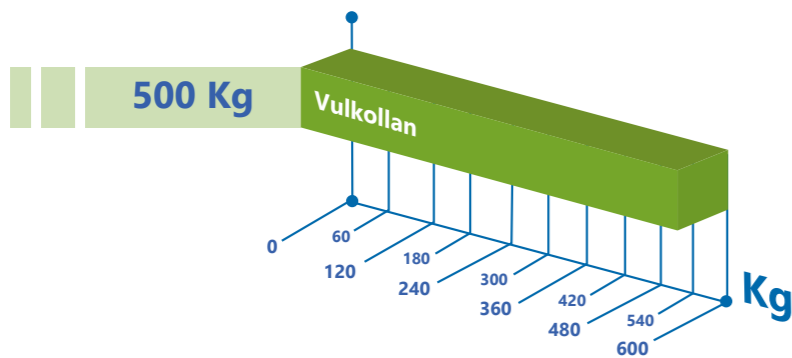
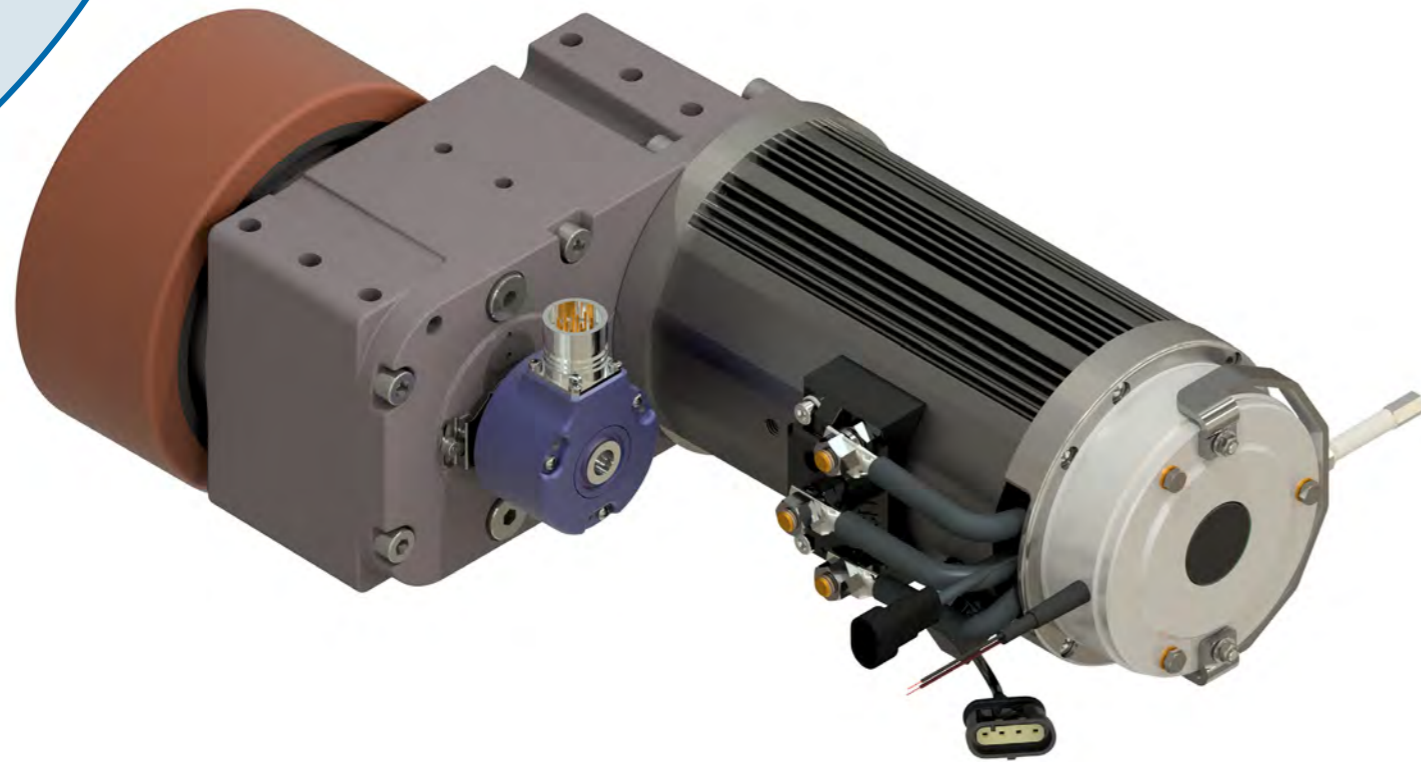
GEARBOX DATA

Ratio	[i]	from 1:5 to 1:55 standard 1:16 / 1:26
Max Wheel Torque	[Nm]	300
Lubrication	-	Oil
Wheel Diameter	[mm]	250
Max Wheel Load	[Kg]	600
Max Vehicle Speed	[Km/h]	7,2

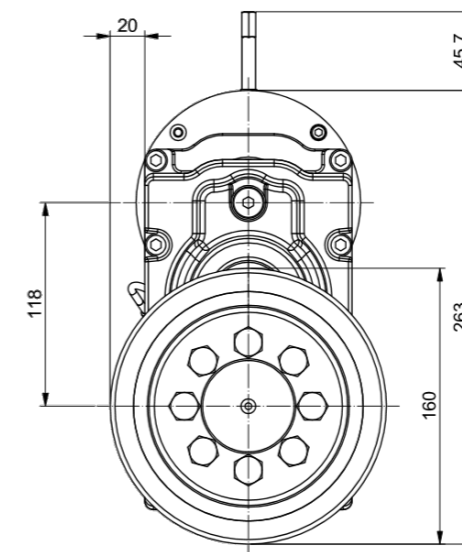
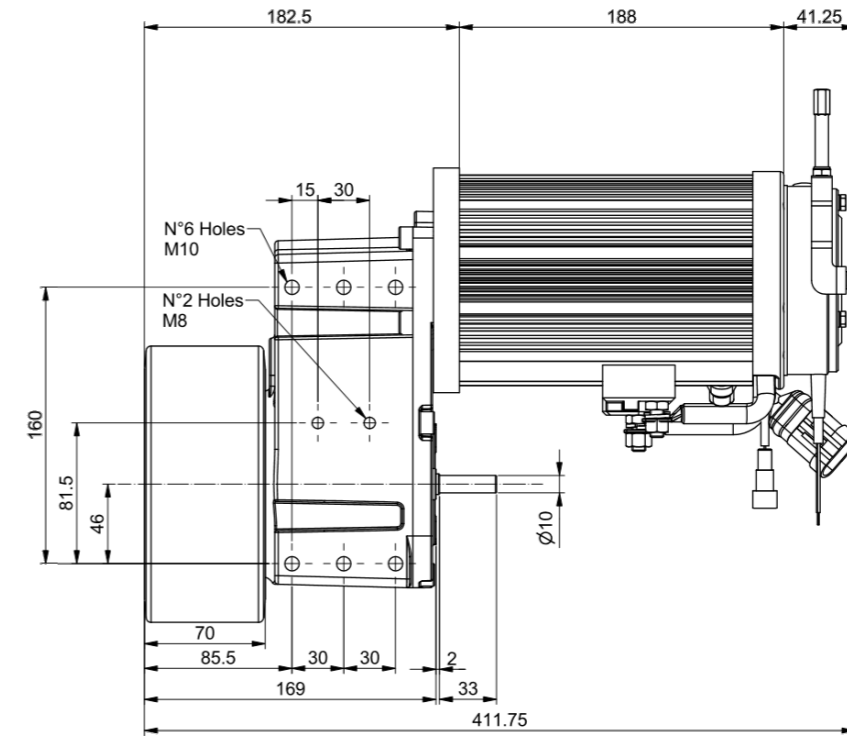


TT16

e-Parallel Drive Wheel



TECHNICAL SPECIFICATION



TRACTION MOTOR DATA

Type	AC / DC / PMAC	
Power	[W]	400 - 2500
Battery voltage	[V]	12 - 144
Max speed	[Rpm]	3000
Enclosure	IP	20 - 67
Brake torque	[Nm]	5 - 16

GEARBOX DATA

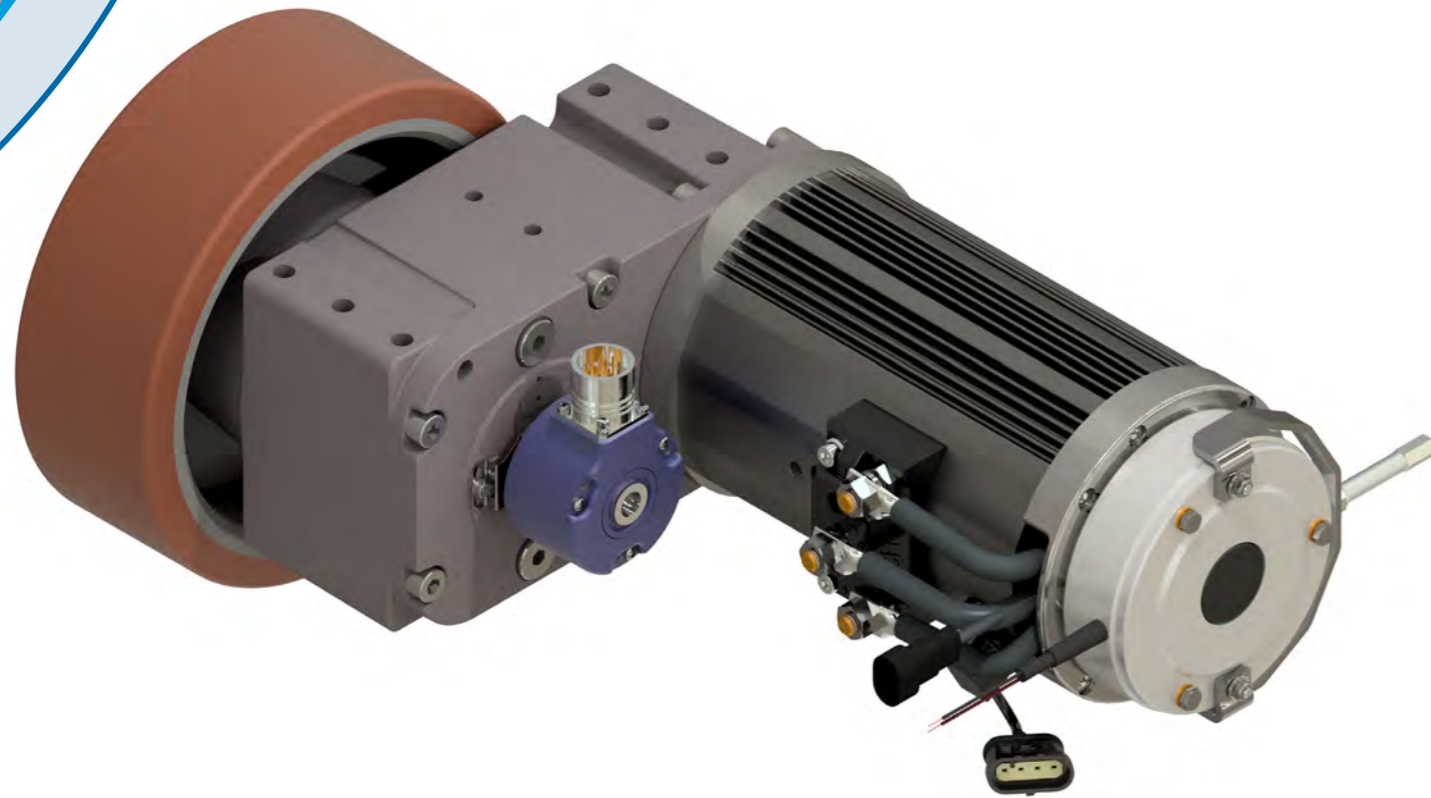
Ratio	[i]	1:12	1:25
Max Wheel Torque	[Nm]	300	
Lubrication	-	Oil	
Wheel Diameter	[mm]	160	
Max Wheel Load	[Kg]	500	
Max Vehicle Speed	[Km/h]	7,2	



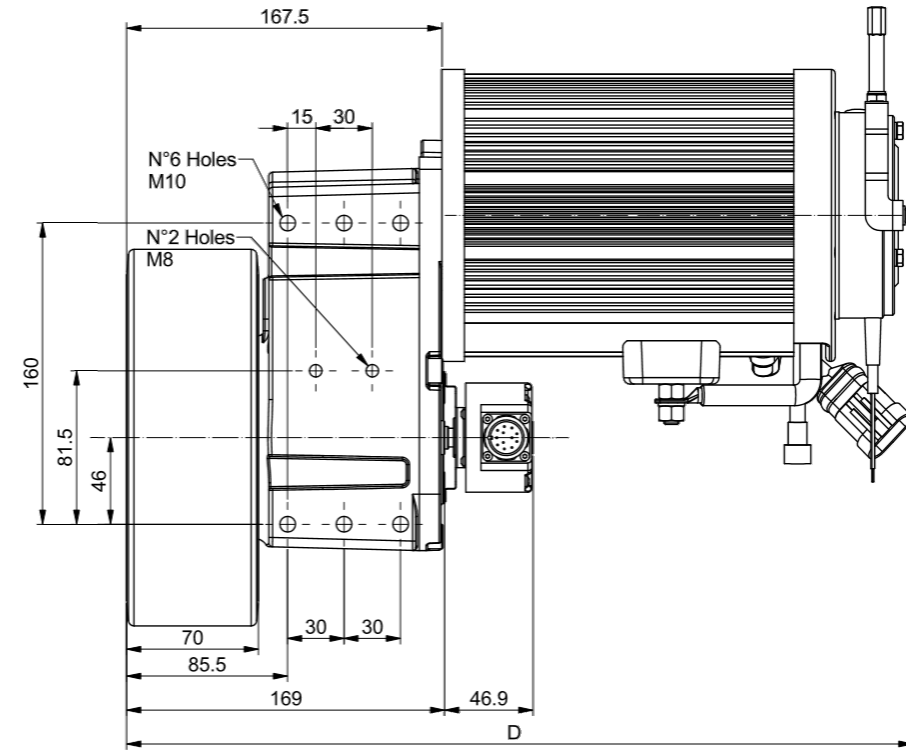
All data in this catalog are indicative.
For detailed information, please contact us.

TT20

e-Parallel Drive Wheel



TECHNICAL SPECIFICATION

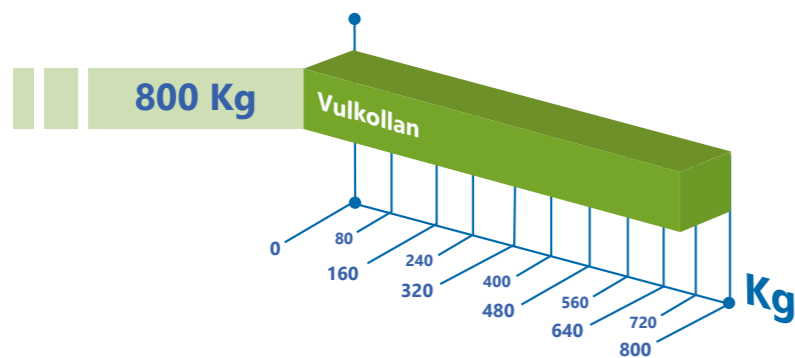
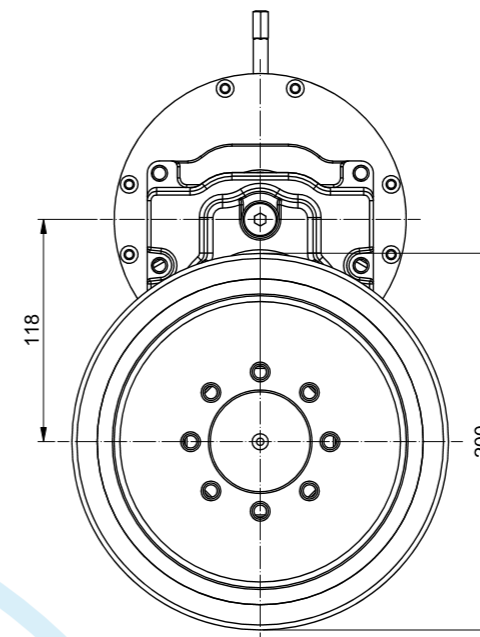


TRACTION MOTOR DATA

Type	AC / DC / PMAC	
Power	[W]	400 - 2500
Battery voltage	[V]	12 - 144
Max speed	[Rpm]	3000
Enclosure	IP	20 - 67
Brake torque	[Nm]	5 - 16

GEARBOX DATA

Ratio	[i]	1:12	1:25
Max Wheel Torque	[Nm]		300
Lubrication	-		Oil
Wheel Diameter	[mm]		200
Max Wheel Load	[Kg]		800
Max Vehicle Speed	[Km/h]		9



BONDY

INDUSTRIAL EQUIPMENT SUPPLIER



Transmission



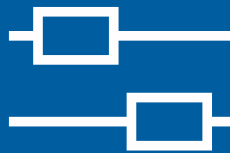
Handling



Motor & Gear



Vacuum Conveying



Linear



Support

See our products and solutions at

www.bondy.dk

For ordering and questions call (+45) 70 15 14 14