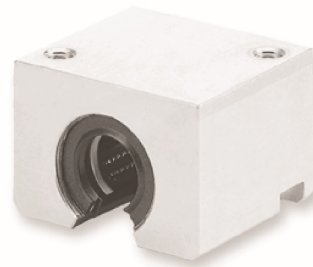
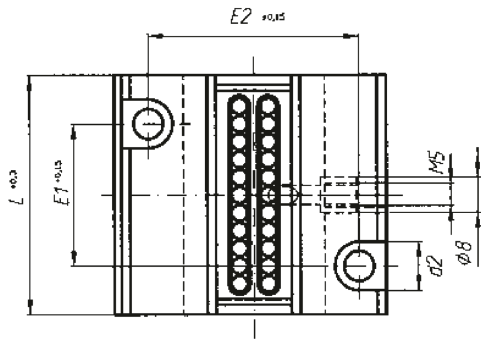
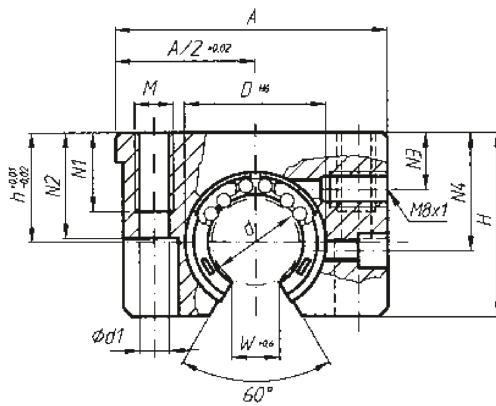


# AG-OP Linear Housing Unit



single open  
integrated wipers on both ends  
lubrication hole M8 x1



## Dimensions in mm

Part-No.	Ø d	Ø D	A	H	h	L	N1	N2	N3	N4	E1	E2	Ø d1	d2	M	W	weight (kg)
AG-OP-12	12	22	43	28	18	39	11	23,5	8	16,65	23	32	4,2	8	M5	7,0	0,11
AG-OP-16	16	26	53	35	22	43	13	30	12	22,00	26	40	5,2	10	M6	9,4	0,17
AG-OP-20	20	32	60	42	25	54	18	34	13	25,00	32	45	6,8	11	M8	10,2	0,30
AG-OP-25	25	40	78	51	30	67	22	40	15	31,50	40	60	8,6	15	M10	12,5	0,57
AG-OP-30	30	47	87	60	35	79	22	48	16	33,00	45	68	8,6	15	M10	13,9	0,86
AG-OP-40	40	62	108	77	45	91	26	60	20	43,50	58	86	10,3	18	M12	18	1,60
AG-OP-50	50	75	132	88	50	113	34	49	20	47,5	50	108	14,25	20	M16	33	2,60
AG-OP-60	60	90	178	118	69	142	40	100	-	-	90	130	17,5	26	M20	43	7,15
AG-OP-80	80	120	232	158	93	185	48	136	-	-	110	170	22	33	M24	61	17

- load ratings according to the specification of the bearing
- weight value considering the linear ball bushing, standard
- the bushings are secured in the housings by radial-axial-fixing screw
- fixing screws DIN 912 - 8.8, circlip DIN 7980

## Ordering code

AG-OP-	Ø-	S-	V
linear housing, single, open	shaft diameter	<b>S</b> linear ball bushing, self-aligning, high load capacity (refer to page 25) <b>K</b> linear ball bushing, standard (refer to p. 20) <b>V</b> linear ball bushing, all-steel (refer to page 21) <b>KS</b> linear ball bushing, standard, self-aligning (refer to page 24) <b>FM</b> linear slide bushing, self-lubricating (ref. to p. 27) <b>L</b> linear slide bushing, ceramic	external front seal