



Item no: 0210673

Suction cup F-BXT35 Silicone 1/4" NPT male, with mesh filter

- The silicone material complies with FDA 21 CFR 177.2600 and EU 1935/2004.
- Long lasting high-end silicone material.
- A low percentage metal additive (Fe) is mixed with the rubber material to make it detectable.
- The multi-bellow cup has an extra-long and extra thin lip. As a result, it will pick/lift better on the surfaces that are textured or seeded, such as seeded hard bread & lasagna plates.
- F-BXT 35 is available with Piab's fittings range used for standard/regular suction cups.
- Low vacuum level needed to collapse bellows. Reduces risk for damaging the handled food product.

General

Application	Food contact materials (FDA & EU), detectable
Suction cup shape	Multibellows
Material	SILDETFCM, ASTM316L
Suction cup model	F-BXT
Weight	12 g
Volume	6 cm ³
Suction cup model	F-BXT35
Movement, vertical max.	13.1 mm



Fitting

Fitting option	Filter mesh
Fitting size	1/4"
Fitting style	Male
Fitting type	NPT-thread

Dimension

Height	30.5 mm
Outer diameter, actuated	35.46666667 mm
Outer diameter	35 mm

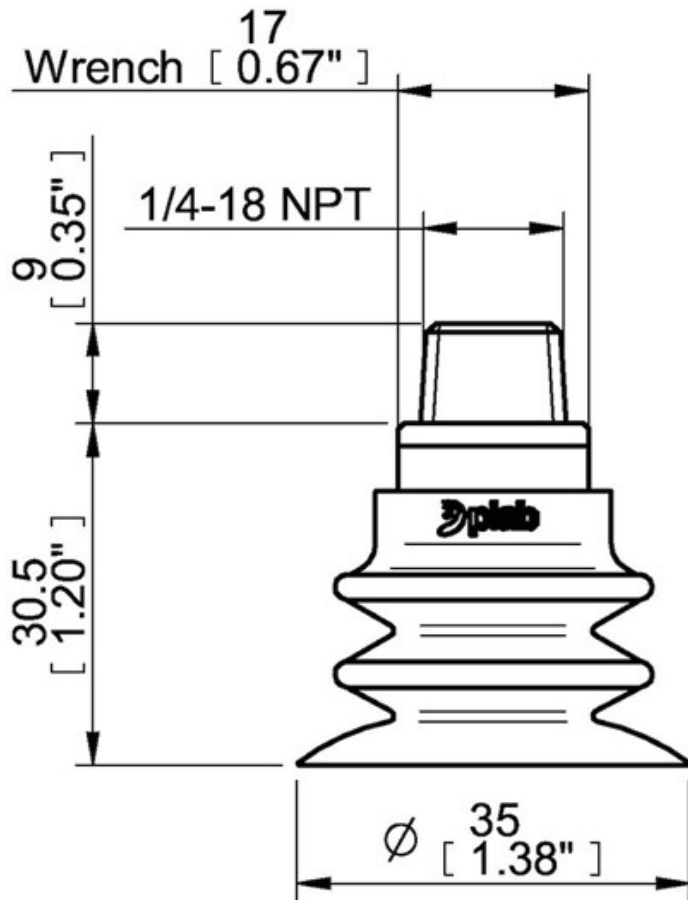
Performance - lifting forces

	F-BXT35		
10 -kPa		5.7 N	5.7 N
20 -kPa		8.3 N	8.3 N
40 -kPa		11.5 N	11.5 N

Material

Name	SILDETFCM
Colour	Blue
Temperature	-40 - 200 °C
Hardness	40 °Shore A

	SILDETFCM
Alcohol	++
Concentrated acids	-
Ethanol	n/a
Hydrolysis	+
Methanol	n/a
Oil	-
Oxidation	+++
Petrol	-
Wear resistance	++
Weather and ozone	+++



Spare parts

3250093 | Fitting 1/4" NPT male, with mesh filter