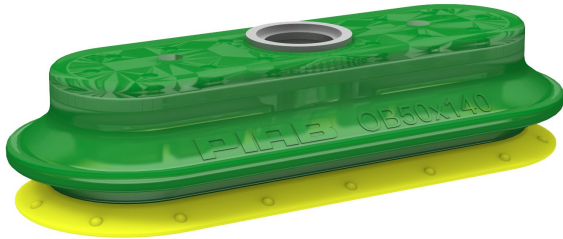


Suction cup OB50x140P Polyurethane 30/60, 0109915

- Suitable for level adjustment. Can handle objects with height differences and varying shapes, for example embossed or corrugated plates.
- Lifting movement to separate small and thin objects.
- In the two coloured suction cup, the bellows and the sealing lip are of different hardnesses, which makes the suction cup strong and stable and, at the same time, soft and flexible.
- DURAFLEX® are suction cups manufactured in a specially developed material that features the elasticity of rubber and wear resistance of polyurethane. The material does not leave any marks on the objects handled.



General

| | |
|-------------------------|--|
| Curve radius | 23 mm |
| Movement, vertical max. | 11.3 mm |
| Application | Corrugated / cardboard |
| Material | Polyurethane (PU30), Polyurethane (PU60) |
| Suction cup model | OB |
| Suction cup shape | Oval Bellows |
| Volume | 95 cm ³ |
| Weight | 129 g |

Fitting

| | |
|----------------|------|
| Fitting size | None |
| Fitting style | None |
| Fitting type | None |
| Fitting option | None |

Dimension

| | |
|----------------|---------|
| Height | 34.5 mm |
| Outer diameter | 146 mm |
| Width | 59 mm |

Performance — lifting forces

| |  |  |
|---------|---|---|
| 20 -kPa | 58 N | 110 N |
| 60 -kPa | 235 N | 260 N |
| 90 -kPa | 366 N | 349 N |

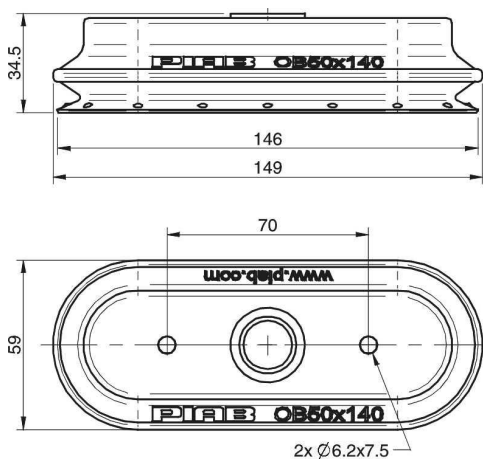
Material

| | Polyurethane (PU30) | Polyurethane (PU60) |
|-------------|---------------------|---------------------|
| Colour | Yellow | Green transparent |
| Hardness | 30 °Shore A | 60 °Shore A |
| Temperature | 10 – 50 °C | 10 – 50 °C |

Material resistance

| | Polyurethane (PU30) | Polyurethane (PU60) |
|--------------------|---------------------|---------------------|
| Alcohol | N/A | N/A |
| Concentrated acids | + | + |
| Ethanol | + | + |
| Hydrolysis | + | + |
| Methanol | - | - |
| Oil | +++ | +++ |
| Oxidation | - | - |
| Petrol | + | + |
| Wear resistance | +++ | +++ |
| Weather and ozone | +++ | +++ |

Dimensional drawings



Values specified in the data sheet are tested at:

| | |
|------------------------|--|
| Room temperature | (20°C [68°F] ± 3°C [5.5°F]) |
| Standard atmosphere | (101.3 [29.9 inHg] ± 1.0 kPa [0.3 inHg]) |
| Relative humidity | 0-100% |
| Compressed air quality | DIN ISO 8573-1 class 4 |

Accessories

| | Item no. |
|---|----------|
| Thread insert G3/8" male, with O-ring and mesh filter | 0107148 |