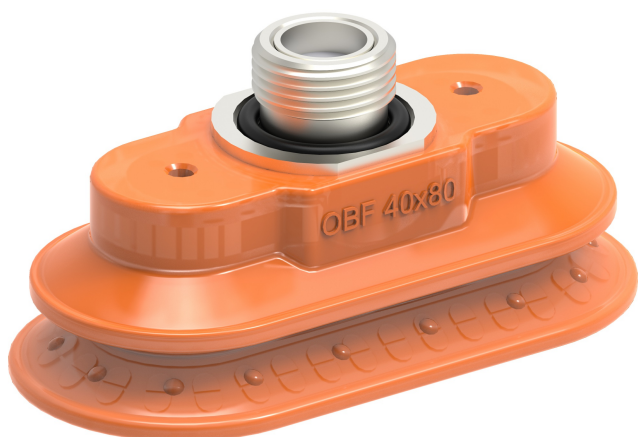


Suction cup OBF40X80P Polyurethane 60, G3/8" male, with mesh filter, 0211404



- Special designed friction cups for oily surfaces, such as sheets in metal forming processes.
- Normal wear on friction cup will not affect the long term shear force performance.
- Best choice if > 0,1g/m2 press oil is used on the sheet.
- Thanks to the strong grip on oily surfaces, the suction cups can withstand high shear forces, typically 2–4 times more than corresponding conventional suction cups.
- The "OBF" design is suitable for oblong objects with domed and flat surfaces, such as those encountered with body parts in the automotive industry.
- Can handle objects with height differences.
- Fitting option, male G3/8", with a swivel function prior to the locking operation, for easy positioning of the oval cup.
- DURAFLEX® suction cups manufactured in a specially developed material that features the elasticity of rubber and wear resistance of polyurethane. The material does not leave any marks on the objects handled.

General

Specification	Dry metal sheet
Curve radius	55 mm
Movement, vertical max.	8.4 mm
Application	Oily sheet metal
Material	Al, Polyurethane (PU60)
Suction cup model	OBF
Suction cup shape	Oval Bellows
Volume	22.36 cm ³
Weight	46 g

Fitting

Fitting size	3/8"
Fitting style	Male
Fitting type	G-thread
Fitting option	Filter mesh
Material	Al

Dimension

Height	26.6 mm (total height)
Height 2	18.2 mm (actuated total height)
Length	79.3 mm
Length, actuated	80.5 mm
Width	40.1 mm
Width, actuated	39.1 mm

Performance — lifting forces, Dry metal sheet

		
60 -kPa	72.3 N	72 N
90 -kPa	106.1 N	102.5 N

Performance — lifting forces, Oily steel plate

		
60 -kPa	72 N	24.5 N
90 -kPa	102.5 N	32.5 N

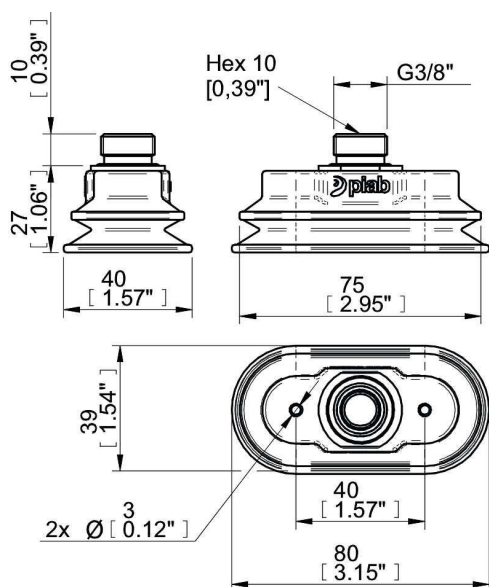
Material

	Polyurethane (PU60)
Colour	Orange
Hardness	60 °Shore A
Temperature	10 – 50 °C

Material resistance

	Polyurethane (PU60)
Alcohol	N/A
Concentrated acids	+
Ethanol	+
Hydrolysis	+
Methanol	-
Oil	+++
Oxidation	-
Petrol	+
Wear resistance	+++
Weather and ozone	+++

Dimensional drawings



Values specified in the data sheet are tested at:

Room temperature	(20°C [68°F] ± 3°C [5.5°F])
Standard atmosphere	(101.3 [29.9 inHg] ± 1.0 kPa [0.3 inHg])
Relative humidity	0-100%
Compressed air quality	DIN ISO 8573-1 class 4