

Suction cup BX15P Polyurethane 60, 0124237

- Suitable for level adjustment and for uneven and porous surfaces such as cardboard, etc.
- In the two-coloured suction cup the bellows and the sealing lip are of different hardnesses, which makes the suction cup strong and stable and, at the same time, soft and flexible.
- DURAFLEX® suction cups manufactured in a specially developed material that features the elasticity of rubber and wear resistance of polyurethane.
- The material DURAFLEX® is mark free.



General

Curve radius	6 mm
Movement, vertical max.	5.5 mm
Application	Mark Free, Plastic injection molded parts, Dry sheet metal, Corrugated / cardboard
Material	Polyurethane (PU60)
Suction cup model	BX-P
Suction cup shape	Multibellows
Volume	0.92 cm ³
Weight	1.14 g

Fitting

Fitting size	None
Fitting style	None
Fitting type	None
Fitting option	None

Dimension

Height	18.5 mm
Outer diameter	16 mm

Performance — lifting forces

		
20 -kPa	3 N	0.54 N
60 -kPa	5 N	1.13 N
90 -kPa	6 N	1.59 N

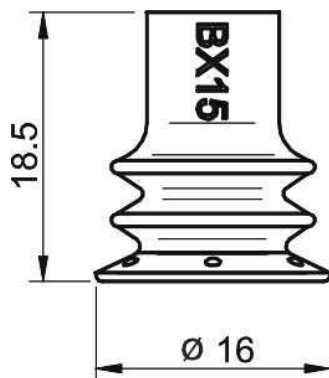
Material

	Polyurethane (PU60)
Colour	Green transparent
Hardness	60 °Shore A
Temperature	10 – 50 °C

Material resistance

	Polyurethane (PU60)
Alcohol	N/A
Concentrated acids	+
Ethanol	+
Hydrolysis	+
Methanol	-
Oil	+++
Oxidation	-
Petrol	+
Wear resistance	+++
Weather and ozone	+++

Dimensional drawings



Values specified in the data sheet are tested at:

Room temperature	(20°C [68°F] ± 3°C [5.5°F])
Standard atmosphere	(101.3 [29.9 inHg] ± 1.0 kPa [0.3 inHg])
Relative humidity	0-100%
Compressed air quality	DIN ISO 8573-1 class 4

Accessories

	Item no.
Fitting M5 male, 10-15	3107030