



Item no: 0210170

Suction cup BFFT23P Polyurethane 60/60/30, G3/8" female plastic

- Special designed friction cups for thin (0.6-0.8 mm) oily metal sheets, such as outer body car parts in a press-to press forming process.
- Long lasting material, normal wear on friction cup will not affect the long term grip performance.
- Refined internal friction pattern provides additional grip performance, the suction cups can withstand high shear forces, typically 3–5 times more than corresponding conventional suction cups.
- Best choice if > 0.1g/m2 press oil is used on the sheet but also a great choice for dry metal sheets.
- The "BFFT" design is suitable for thin flat or uneven/curved surfaces and if level compensation is needed, for example in de-stacking applications.
- The flat inner support, made of dual hardness, gives stability and good grip during movement in any orientation.
- DURAFLEX® suction cups manufactured in a specially developed material that features the elasticity of rubber and wear resistance of polyurethane. The material does not leave any marks on the objects handled and has a fantastic elastic memory, even after hundreds of thousands of cycles.

General

Application	Oily sheet metal
Suction cup shape	Bellows
Material	PU30, PU60
Suction cup model	BFFT
Weight	8 g
Volume	1 cm ³
Suction cup model	BFFT23 Dry metal sheet
Specification	Dry metal sheet
Movement, vertical max.	5 mm
Curve radius, min.	9 mm
Suction cup model	BFFT23 Oily metal sheet
Specification	Oily metal sheet

Fitting

Material	PA
Fitting option	Filter mesh
Fitting size	3/8"
Fitting style	Female
Fitting type	G-thread

Dimension

Height	29.9 mm
Height 2 (Actuated)	25 mm
Outer diameter, actuated	24 mm
Outer diameter	23 mm

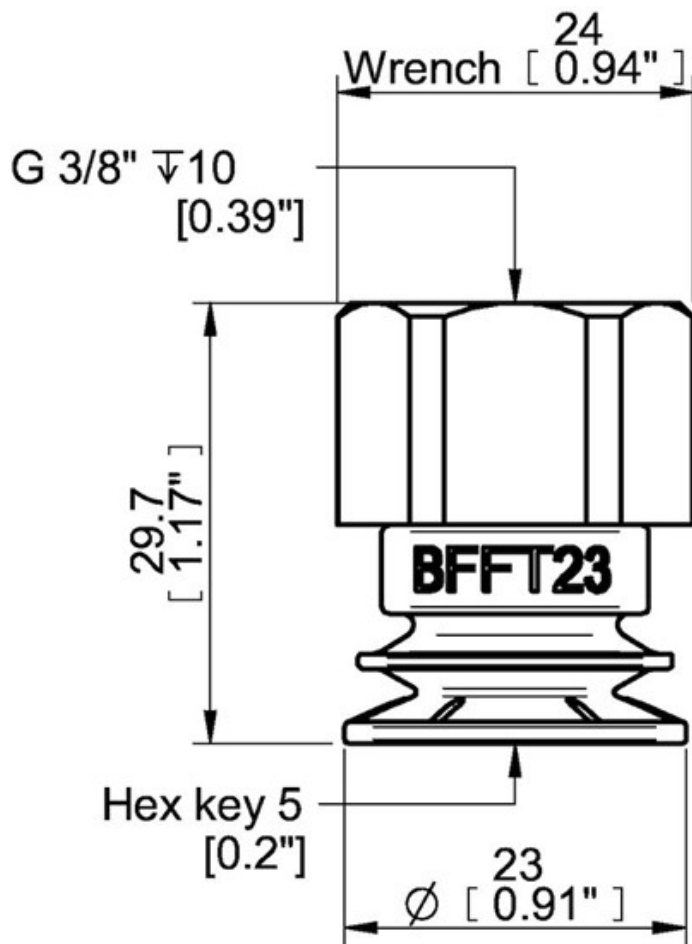
Performance - lifting forces

BFFT23 Dry metal sheet	↑	↗
60 -kPa	19 N	15 N
90 -kPa	27 N	19 N
BFFT23 Oily metal sheet	↑	↗
60 -kPa	17 N	9 N
90 -kPa	23 N	12 N

Material

Name	PU60	PU60	PU30
Colour	Orange	GreenTransparent	Yellow
Temperature	10 - 50 °C	10 - 50 °C	10 - 50 °C
Hardness	60 °Shore A	60 °Shore A	30 °Shore A

	PU60	PU60	PU30
Alcohol	n/a	n/a	n/a
Concentrated acids	+	+	+
Ethanol	+	+	+
Hydrolysis	+	+	+
Methanol	-	-	-
Oil	+++	+++	+++
Oxidation	-	-	-
Petrol	+	+	+
Wear resistance	+++	+++	+++
Weather and ozone	+++	+++	+++



Values specified in the data sheet are tested at:

- Room temperature: (20°C [68°F] \pm 3°C [5.5°F])
- Standard atmosphere: (101.3 [29.9 inHg] \pm 1.0 kPa [0.3 inHg])
- Relative humidity: 0-100%
- Compressed air quality: DIN ISO 8573-1 class 4