



Item no: 0210569

### Suction cup BFFT35P Polyurethane 60/60/30, G1/4" male

- Special designed friction cups for thin (0.6-0.8 mm) oily metal sheets, such as outer body car parts in a press-to press forming process.
- Long lasting material, normal wear on friction cup will not affect the long term grip performance.
- Refined internal friction pattern provides additional grip performance, the suction cups can withstand high shear forces, typically 3–5 times more than corresponding conventional suction cups.
- Best choice if > 0.1g/m<sup>2</sup> press oil is used on the sheet but also a great choice for dry metal sheets.
- The "BFFT" design is suitable for thin flat or uneven/curved surfaces and if level compensation is needed, for example in de-stacking applications.
- The flat inner support, made of dual hardness, gives stability and good grip during movement in any orientation.
- DURAFLEX® suction cups manufactured in a specially developed material that features the elasticity of rubber and wear resistance of polyurethane. The material does not leave any marks on the objects handled and has a fantastic elastic memory, even after hundreds of thousands of cycles.

#### General

Application	Oily sheet metal
Suction cup shape	Bellows
Material	PU30, PU60
Suction cup model	BFFT
Weight	23.3 g
Volume	4.05 cm <sup>3</sup>
Suction cup model	BFFT35 Dry metal sheet
Specification	Dry metal sheet
Movement, vertical max.	8 mm
Curve radius, min.	15 mm
Suction cup model	BFFT35 Oily metal sheet
Specification	Oily metal sheet

Fitting

Material	Al
Fitting size	1/4"
Fitting style	Male
Fitting type	G-thread

---

Dimension

Height	20.6 mm
Height 2 (Actuated)	12.7 mm
Outer diameter, actuated	36 mm
Outer diameter	35 mm

---

Performance - lifting forces

	↑	→
BFFT35 Dry metal sheet		
60 -kPa	42 N	30 N
90 -kPa	58 N	36 N
	↑	→
BFFT35 Oily metal sheet		
60 -kPa	37 N	16 N
90 -kPa	49 N	23 N

---

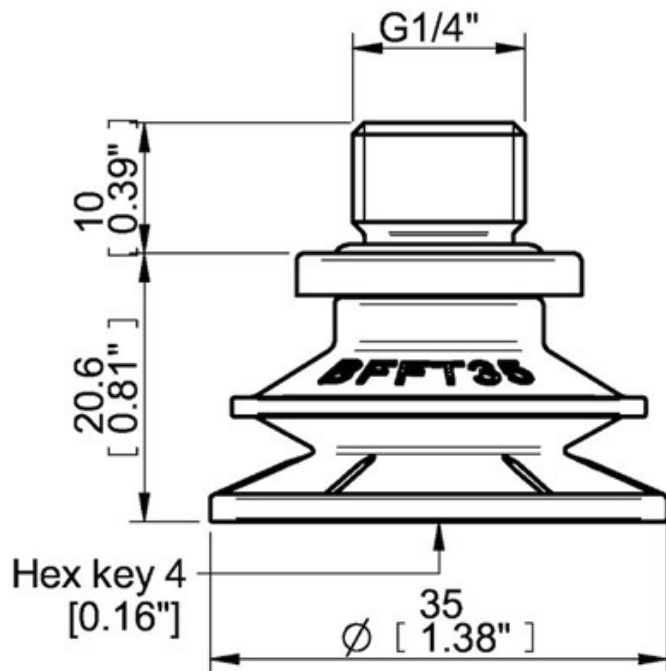
Material

Name	PU60	PU60	PU30
Colour	Orange	GreenTransparent	Yellow
Temperature	10 - 50 °C	10 - 50 °C	10 - 50 °C
Hardness	60 °Shore A	60 °Shore A	30 °Shore A

---

	PU60	PU60	PU30
Alcohol	n/a	n/a	n/a
Concentrated acids	+	+	+
Ethanol	+	+	+
Hydrolysis	+	+	+
Methanol	-	-	-
Oil	+++	+++	+++
Oxidation	-	-	-
Petrol	+	+	+
Wear resistance	+++	+++	+++
Weather and ozone	+++	+++	+++

---



---

Values specified in the data sheet are tested at:

- Room temperature: (20° C [68° F] ± 3° C [5.5° F])
  - Standard atmosphere: (101.3 [29.9 inHg] ± 1.0 kPa [0.3 inHg])
  - Relative humidity: 0-100%
  - Compressed air quality: DIN ISO 8573-1 class 4
-