

Suction cup F20 Silicone, G1/8" male/M5 female, with mesh filter, 0101275

- Suitable for flat objects.
- Good stability and little inherent movement.
- Recommended when the lifting force is parallel to the surface of the object.
- Cleats prevent thin, sensitive objects from being deformed and gives extra friction when the lifting force is parallel.



General

Curve radius	18 mm
Movement, vertical max.	1.2 mm
Application	Dry sheet metal
Material	Silicone (SIL)
Suction cup model	F
Suction cup shape	Flat
Volume	1 cm ³
Weight	1.2 g

Fitting

Fitting size	1/8", M5
Fitting style	Female/Male
Fitting type	G-thread, M-thread
Fitting option	Filter mesh

Dimension

Height	15.5 mm
Outer diameter	22 mm
Outer diameter, actuated	23.2 mm

Performance — lifting forces

		
20 -kPa	6 N	5 N
60 -kPa	14.5 N	8 N
90 -kPa	19 N	8.5 N

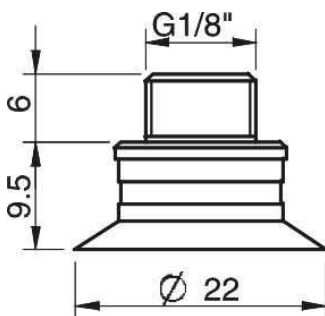
Material

	Silicone (SIL)
Colour	Red
Hardness	50 °Shore A
Temperature	-40 – 200 °C

Material resistance

	Silicone (SIL)
Alcohol	++
Concentrated acids	-
Ethanol	N/A
Hydrolysis	+
Methanol	N/A
Oil	-
Oxidation	+++
Petrol	-
Wear resistance	++
Weather and ozone	+++

Dimensional drawings



Values specified in the data sheet are tested at:

Room temperature	(20°C [68°F] ± 3°C [5.5°F])
Standard atmosphere	(101.3 [29.9 inHg] ± 1.0 kPa [0.3 inHg])
Relative humidity	0-100%
Compressed air quality	DIN ISO 8573-1 class 4

Spare parts

	Item no.
Suction cup F20 Silicone	0101130
Fitting G1/8" male/M5 female, with mesh filter	0101152

Accessories

	Item no.
VCN 1-20-C Flat Vacuum Cup (cup only)	0101129
Fitting M5 female, with dual flow control valve	3251001
Fitting M5 female	3250003
Fitting G1/8" male/M5 female, with dual flow control valve	3251004
Fitting G1/8" male/M5 female, PA	3150196
Fitting G1/8" male, with mesh filter	3250085
Fitting 5xM5 female, with dual flow control valve	3251005
Fitting 5xM5 female	0100260
Fitting 1/8" NPT male, with dual flow control valve	3251003
Fitting G1/8" male/M5 female	3250004
Fitting 1/8" NPT male, with mesh filter	3250088