



Item no: 0207727

Suction cup OCF20x50 Polyurethane 60, G3/8" female

- Special designed friction cups for oily surfaces, such as sheets in metal forming processes.
- Normal wear on friction cup will not affect the long term shear force performance.
- Best choice if > 0,1g/m² press oil is used on the sheet.
- Thanks to the strong grip on oily surfaces, the suction cups can withstand high shear forces, typically 2–4 times more than corresponding conventional suction cups.
- The "OCF" design is suitable for oblong objects with slightly curved or flat surfaces.
- DURAFLEX® suction cups manufactured in a specially developed material that features the elasticity of rubber and wear resistance of polyurethane. The material does not leave any marks on the objects handled.

General

Application	Oily sheet metal
Suction cup shape	Oval Concave
Material	Polyurethane (PU60)
Suction cup model	OCF-P
Weight	29 g
Volume	3.8 cm ³
Suction cup model	OCF20x50P Oily metal sheet
Specification	Oily metal sheet
Movement, vertical max.	3 mm
Curve radius, min.	20 mm
Suction cup model	OCF20x50P Dry metal sheet
Specification	Dry metal sheet





Fitting

Material	Al
Fitting option	None
Fitting size	3/8"
Fitting style	Female
Fitting type	G-thread

Dimension

Height	29.8 mm
Length	53.9 mm
Length, actuated	56 mm
Width	23.9 mm
Width, actuated	26.5 mm

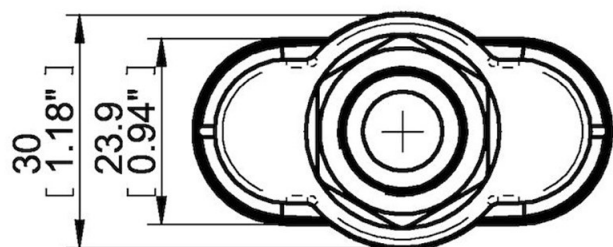
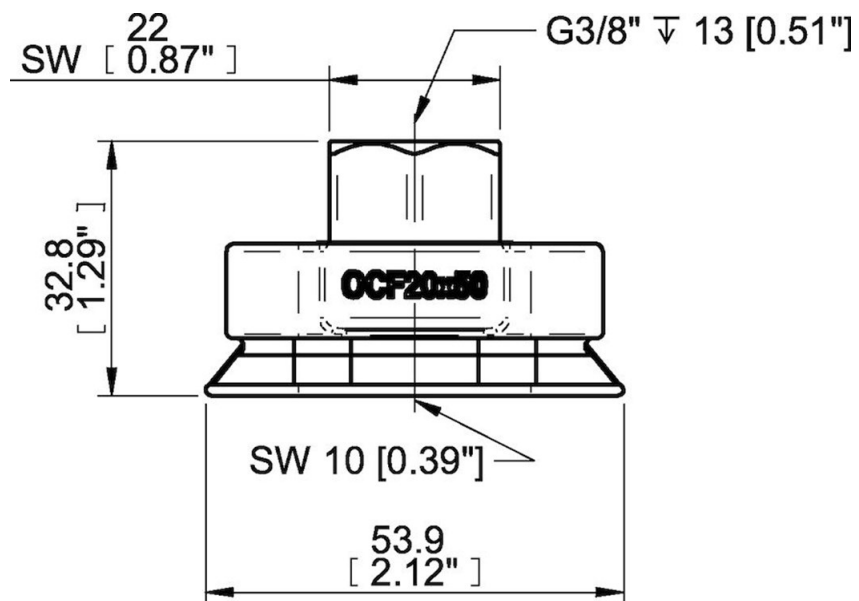
Performance - lifting forces

OCF20x50P Oily metal sheet		
60 -kPa	45 N	28 N
90 -kPa	65 N	35 N
OCF20x50P Dry metal sheet		
60 -kPa	51 N	57 N
90 -kPa	72 N	72 N

Material

Name	PU60
Colour	Orange
Temperature	10 - 50 °C
Hardness	60 °Shore A

	PU60
Alcohol	n/a
Concentrated acids	+
Ethanol	+
Hydrolysis	+
Methanol	-
Oil	+++
Oxidation	-
Petrol	+
Wear resistance	+++
Weather and ozone	+++



Values specified in the data sheet are tested at:

- Room temperature: (20°C [68°F] ± 3°C [5.5°F])
- Standard atmosphere: (101.3 [29.9 inHg] ± 1.0 kPa [0.3 inHg])
- Relative humidity: 0-100%
- Compressed air quality: DIN ISO 8573-1 class 4