

# Suction cup D15-2 Silicone FCM, 0200266



- The silicone material complies with FDA 21 CFR 177.2600 & EU 1935/2004 & EU 1935/2004.
- Suitable for objects with curved or irregular surfaces.
- Grips around corners and edges.

## General

Curve radius	6 mm
Movement, vertical max.	3.2 mm
Application	Food contact materials (FDA & EU), non-detectable
Material	Silicone (SIL FDA)
Suction cup model	D
Suction cup shape	Deep
Volume	0.9 cm <sup>3</sup>
Weight	1.2 g

## Fitting

Fitting size	None
Fitting style	None
Fitting type	None
Fitting option	None

## Dimension

Height	16.6 mm
Outer diameter	16 mm

## Performance — lifting forces

		
20 -kPa	2.9 N	2.8 N
60 -kPa	7.8 N	6.3 N
90 -kPa	11 N	7 N

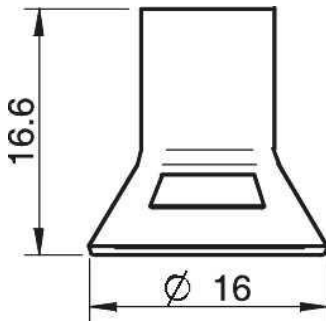
## Material

	Silicone (SIL FDA)
Colour	Transparent
Hardness	50 °Shore A
Temperature	-40 – 200 °C

## Material resistance

	Silicone (SIL FDA)
Alcohol	++
Concentrated acids	-
Ethanol	N/A
Hydrolysis	+
Methanol	N/A
Oil	-
Oxidation	+++
Petrol	-
Wear resistance	++
Weather and ozone	+++

## Dimensional drawings



## Values specified in the data sheet are tested at:

Room temperature	(20°C [68°F] ± 3°C [5.5°F])
Standard atmosphere	(101.3 [29.9 inHg] ± 1.0 kPa [0.3 inHg])
Relative humidity	0-100%
Compressed air quality	DIN ISO 8573-1 class 4

## Spare parts

	Item no.
Fitting M5 male, 10-15	3107030