



Item no: 0206792

Suction cup BFFT70P Polyurethane 60/60/30, G1/4" female, with mesh filter

- Special designed friction cups for thin (0.6-0.8 mm) oily metal sheets, such as outer body car parts in a press-to press forming process.
- Long lasting material, normal wear on friction cup will not affect the long term grip performance.
- Refined internal friction pattern provides additional grip performance, the suction cups can withstand high shear forces, typically 3–5 times more than corresponding conventional suction cups.
- Best choice if > 0.1g/m2 press oil is used on the sheet but also a great choice for dry metal sheets.
- The "BFFT" design is suitable for thin flat or uneven/curved surfaces and if level compensation is needed, for example in de-stacking applications.
- The flat inner support, made of dual hardness, gives stability and good grip during movement in any orientation.
- DURAFLEX® suction cups manufactured in a specially developed material that features the elasticity of rubber and wear resistance of polyurethane. The material does not leave any marks on the objects handled and has a fantastic elastic memory, even after hundreds of thousands of cycles.

General

Application	Oily sheet metal
Suction cup shape	Bellows
Material	Polyurethane (PU60)
Suction cup model	BFFT
Weight	78.5 g
Volume	36.4 cm ³
Suction cup model	BFFT70P Oily metal sheet
Specification	Oily metal sheet
Movement, vertical max.	14 mm
Curve radius, min.	95 mm
Suction cup model	BFFT70P Dry metal sheet
Specification	Dry metal sheet





Fitting

Fitting option	Filter mesh
Fitting size	1/4"
Fitting style	Female
Fitting type	G-thread

Dimension

Height	41.7 mm
Outer diameter, actuated	75 mm
Outer diameter	73 mm

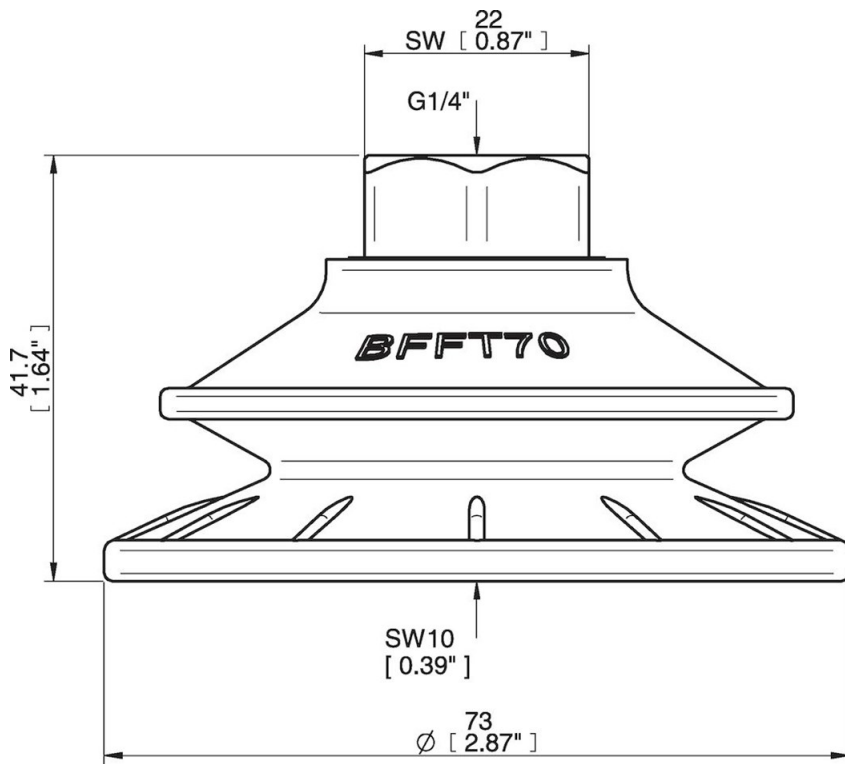
Performance - lifting forces

BFFT70P Oily metal sheet		
60 -kPa	165 N	110 N
90 -kPa	211 N	148 N
BFFT70P Dry metal sheet		
60 -kPa	172 N	176 N
90 -kPa	220 N	245 N

Material

Name	PU60	PU60	PU30
Colour	Orange	GreenTransparent	Yellow
Temperature	10 - 50 °C	10 - 50 °C	10 - 50 °C
Hardness	60 °Shore A	60 °Shore A	30 °Shore A

	PU60	PU60	PU30
Alcohol	n/a	n/a	n/a
Concentrated acids	+	+	+
Ethanol	+	+	+
Hydrolysis	+	+	+
Methanol	-	-	-
Oil	+++	+++	+++
Oxidation	-	-	-
Petrol	+	+	+
Wear resistance	+++	+++	+++
Weather and ozone	+++	+++	+++



Values specified in the data sheet are tested at:

- Room temperature: (20°C [68°F] ± 3°C [5.5°F])
- Standard atmosphere: (101.3 [29.9 inHg] ± 1.0 kPa [0.3 inHg])
- Relative humidity: 0-100%
- Compressed air quality: DIN ISO 8573-1 class 4