



Item no: 0206919

Suction cup FCF25P Polyurethane 55/60, G1/4" female

The FCF-P design is suitable for oily surfaces, slightly domed and flat surfaces, e.g., such as those encountered when handling metal sheets in press lines. The suction cups have support cleats that prevent thin objects from being disfigured. DURAFLEX® suction cups manufactured in a specially developed... material that features the elasticity of rubber and wear resistance of polyurethane. The material does not leave any marks on the objects handled.

- Special designed friction cups for oily surfaces, such as sheets in metal forming processes.
- Normal wear on friction cup will not affect the long term shear force performance.
- Best choice if $> 0.1\text{g}/\text{m}^2$ press oil is used on the sheet.
- Thanks to the strong grip on oily surfaces, the suction cups can withstand high shear forces, typically 2–4 times more than corresponding conventional suction cups.
- The "FCF" design is suitable for slightly domed and flat surfaces, e.g., such as those encountered when handling metal sheets in press lines.
- The suction cups have support cleats that prevent thin objects from being disfigured.
- DURAFLEX® suction cups manufactured in a specially developed material that features the elasticity of rubber and wear resistance of polyurethane. The material does not leave any marks on the objects handled.

General

Application	Oily sheet metal
Suction cup shape	Flat Concave
Material	PU55, PU60
Suction cup model	FCF
Weight	48.8 g
Volume	5.5 cm ³
Suction cup model	FCF25P Dry metal sheet
Specification	Dry metal sheet
Movement, vertical max.	2 mm
Curve radius, min.	27 mm
Suction cup model	FCF25P Oily steel plate
Specification	Oily steel plate





Fitting

Fitting size	1/4"
Fitting style	Female
Fitting type	G-thread

Dimension

Height	28.6 mm
Outer diameter, actuated	27.3 mm
Outer diameter	25 mm


Performance - lifting forces

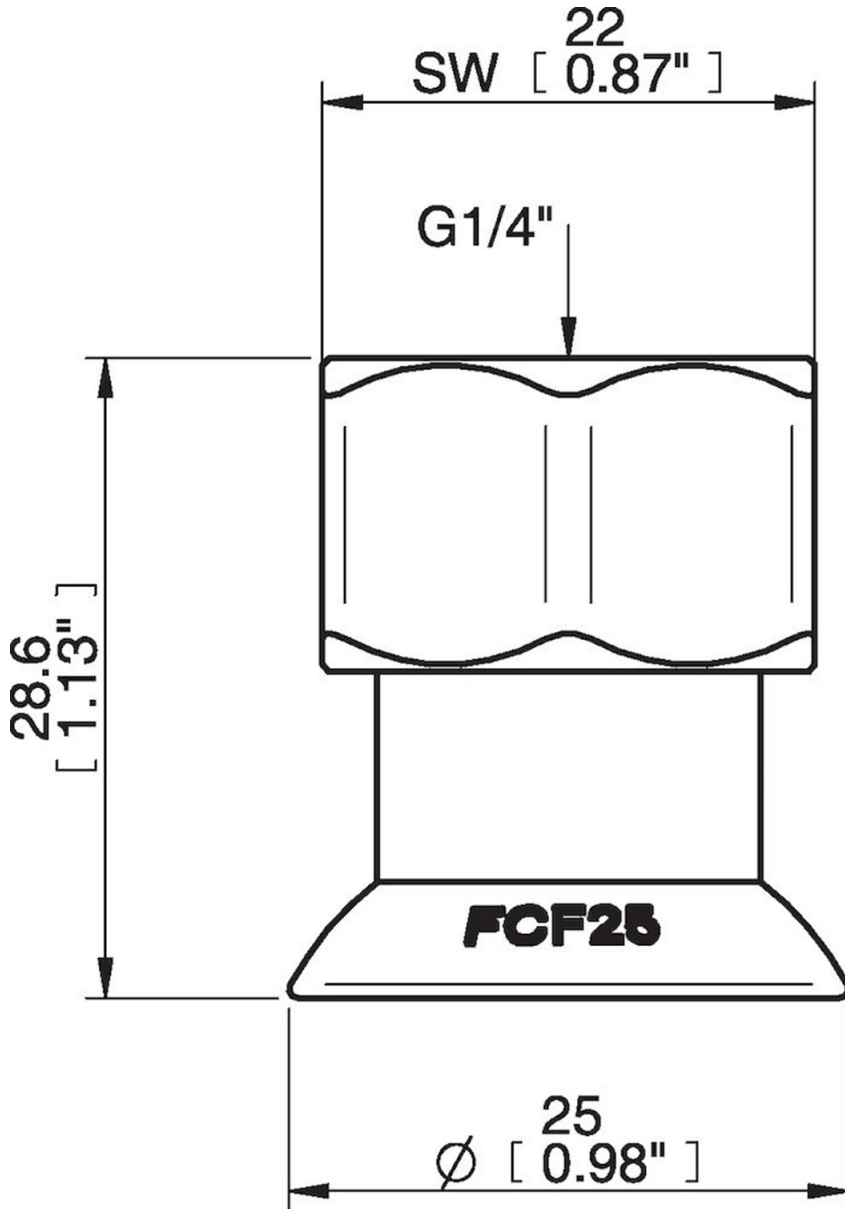
		
FCF25P Dry metal sheet		
60 -kPa	19 N	7 N
90 -kPa	28 N	10 N
FCF25P Oily steel plate		
60 -kPa	19 N	5 N
90 -kPa	29 N	7.2 N

Material

Name	PU55	PU60
Colour	Orange	GreenTransparent
Temperature	10 - 50 °C	10 - 50 °C
Hardness	55 °Shore A	60 °Shore A

	PU55	PU60
Alcohol	n/a	n/a
Concentrated acids	+	+
Ethanol	+	+
Hydrolysis	+	+
Methanol	-	-
Oil	+++	+++
Oxidation	-	-
Petrol	+	+
Wear resistance	+++	+++
Weather and ozone	+++	+++

Dimensional drawings 



Values specified in the data sheet are tested at:

- Room temperature: (20°C [68°F] ± 3°C [5.5°F])
- Standard atmosphere: (101.3 [29.9 inHg] ± 1.0 kPa [0.3 inHg])
- Relative humidity: 0-100%
- Compressed air quality: DIN ISO 8573-1 class 4

