

Suction cup VL40BL, G1/4"-G1/8", 0202722



- Suitable for level adjustment
- Lifting movement to separate small and thin objects
- Less suitable when the lifting force is parallel to the surface of the object
- Volume discounts available for big packs from 30-99 pieces with an even larger discount for big packs of 100 pieces and above
- PVC-free recyclable material

General

Material	TPE-U
Suction cup model	BL
Suction cup shape	Multibellows

Fitting

Fitting size	1/8", 1/4"
Fitting style	Female/Male
Fitting type	G-thread
Fitting option	None

Dimension

Height	53.1 mm (B)
Height 2	15 mm (D)
Inner diameter	10 mm (C)
Outer diameter	40 mm (A)

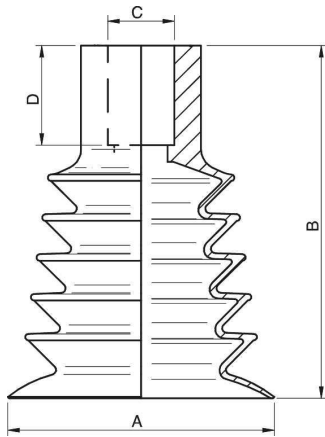
Performance — lifting forces

50 -kPa	23 N

Material

	TPE-U
Colour	Purple
Hardness	65 °Shore A
Temperature	0 – 60 °C

Dimensional drawings



Values specified in the data sheet are tested at:

Room temperature	(20°C [68°F] ± 3°C [5.5°F])
Standard atmosphere	(101.3 [29.9 inHg] ± 1.0 kPa [0.3 inHg])
Relative humidity	0-100%
Compressed air quality	DIN ISO 8573-1 class 4

Spare parts

	Item no.
Suction cup VL40BL	0202120
Fitting VL D=Ø10, G1/4" - G1/8"	0202158

Accessories

	Item no.
Fitting VL D=Ø10, G3/8" - G1/4"	0202164
Fitting VL D=Ø10, 1/4" NPT - 1/8" NPSF	0202162
Fitting VL D=Ø10, 3/8" NPT - 1/4" NPSF	0202166