

# Suction cup U15 Silicone FCM, M5 male, 9909636



- The silicone material complies with FDA 21 CFR 177.2600 & EU 1935/2004.
- Suitable for objects with flat or slightly curved surfaces.
- Also used for concave objects.

## General

Curve radius	8 mm
Movement, vertical max.	1.5 mm
Application	Food contact materials (FDA & EU), non-detectable
Material	Silicone (SIL FDA)
Suction cup model	U
Suction cup shape	Universal
Volume	0.5 cm <sup>3</sup>
Weight	0.7 g

## Fitting

Fitting size	None
Fitting style	Male
Fitting type	M-thread
Fitting option	None

## Dimension

Height	20 mm
Outer diameter	16.5 mm

## Performance — lifting forces

		
20 -kPa	3.5 N	4 N
60 -kPa	8.4 N	7.2 N
90 -kPa	11 N	8.1 N

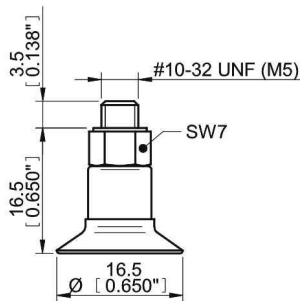
## Material

	Silicone (SIL FDA)
Colour	Transparent
Hardness	50 °Shore A
Temperature	-40 – 200 °C

## Material resistance

	Silicone (SIL FDA)
Alcohol	++
Concentrated acids	-
Ethanol	N/A
Hydrolysis	+
Methanol	N/A
Oil	-
Oxidation	+++
Petrol	-
Wear resistance	++
Weather and ozone	+++

## Dimensional drawings



## Values specified in the data sheet are tested at:

Room temperature	(20°C [68°F] ± 3°C [5.5°F])
Standard atmosphere	(101.3 [29.9 inHg] ± 1.0 kPa [0.3 inHg])
Relative humidity	0-100%
Compressed air quality	DIN ISO 8573-1 class 4

## Spare parts

	Item no.
Suction cup U15 Silicone FCM	0200258
Fitting M5 male, 10-15	3107030