



Item no: 0113214

### COAX® cartridge MINI Si08-3

COAX® is an advanced solution for creating vacuum with compressed air. Based on Piab's multistage technology, COAX® cartridges are smaller, more efficient and more reliable than conventional ejectors, that allows for the design of a flexible, modular and efficient vacuum system. The two-stage COAX®... cartridge MICRO is probably the world's smallest multistage vacuum ejector. Its low weight makes it suitable to integrate close to the suction point in high speed pick-and-place applications of small objects. The two-stage COAX® cartridge MINI has small mounting dimensions and the three-stage COAX® cartridge MINI has high initial vacuum flow. The two-stage COAX® cartridge MIDI has small mounting dimensions and the three-stage COAX® cartridge MIDI has high initial vacuum flow. The MIDI cartridges are efficient generators of blow-air and are also suitable for fast evacuation of large volumes.

- Three-stage COAX® cartridge - MINI - with extra high initial vacuum flow.
- Large vacuum flow in relation to energy consumption.
- Good for handling porous materials or if surface leakage is present. Recommended for high speed applications.

General


Material	PA, SS, AL, NBR
Temperature	-10 - 80 °C
Weight	4.9 - 12.7 g

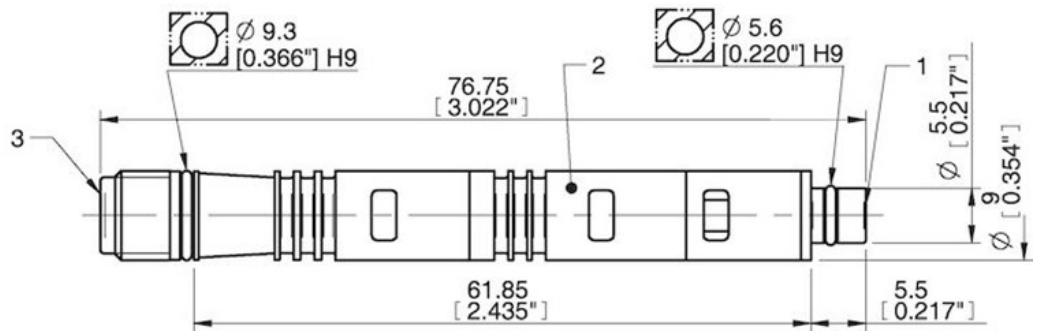
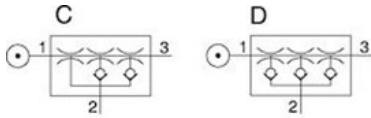
Performance

Feed pressure, max. 0.7 MPa

Feed pressure MPa	Air consumption NI/s	Vacuum flow (NI/s) at different vacuum levels (-kPa)										Max vacuum -kPa
		0	10	20	30	40	50	60	70	80	90	
MINI Si08-3 0,40 - 0.4	0.31	1.1	0.57	0.36	0.26	0.18	0.09	0	0	0	0	60
MINI Si08-3 0,50 - 0.5	0.38	1.23	0.65	0.46	0.29	0.23	0.15	0.08	0.01	0	0	70
MINI Si08-3 0,60 - 0.6	0.44	1.34	0.73	0.55	0.35	0.23	0.17	0.13	0.08	0	0	75

Feed pressure MPa	Air consumption NI/s	Evacuation time (s/l) to reach different vacuum levels (-kPa)										Max vacuum -kPa
		10	20	30	40	50	60	70	80	90	100	
MINI Si08-3 0,40 - 0.4	0.31	0.12	0.33	0.66	1.1	1.9	0	0	0	0	0	60
MINI Si08-3 0,50 - 0.5	0.38	0.11	0.29	0.55	0.9	1.5	2.3	4.6	0	0	0	70
MINI Si08-3 0,60 - 0.6	0.44	0.1	0.25	0.48	0.8	1.3	2	2.9	0	0	0	75

Dimensional drawings 



Accessories

0111977 | Silencer COAX® MINI

0106344 | Exhaust adapter