



Item no: 0101156

Fitting 1/8" NPSF female, 30–40, with cone valve

A variety of fittings for suction cups.


- Suits suction cups: B30-2, BL30-2, B40, BL40-2, F40-2, U40-2, FC35P
- With cone valve only for: F40-2
- Without mesh filter for: BX35P

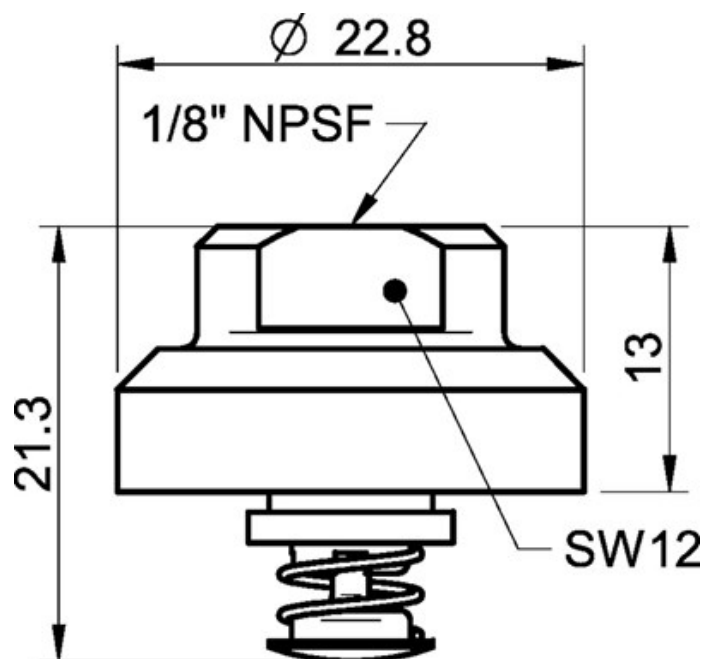
General

Material	SS, AL, NBR
Temperature	-20 - 90 °C
Weight, min.	7 g

Fitting

Fitting size	1/8"
Fitting style	Female
Fitting type	NPSF-thread

Dimensional drawings 



Spare parts

3150056 | Cone valve for F40-2