



Item no: 0109907

Suction cup OF40x110P Polyurethane 40

This program of oval suction cups has characteristics that are specially suited for handling of metal-sheet material.

- Suitable for flat and rough surfaces.
- Fair stability and little inherent movement.
- Recommended when the lifting force is parallel to the surface of the object.
- Cleats prevent thin, sensitive objects from being deformed and give extra friction when the lifting force is parallel to the surface of the object.
- DURAFLEX® are suction cups manufactured in a specially developed material that features the elasticity of rubber and wear resistance of polyurethane. The material does not leave any marks on the objects handled.

General

Application	CorrugatedCardboard, PlasticInjectionMoldedParts, DrySheetMetal
Suction cup shape	Oval Flat
Material	Polyurethane (PU40)
Suction cup model	OF
Weight	48 g
Volume	21 cm ³
Suction cup model	OF40x110P PU40
Movement, vertical max.	3.1 mm
Curve radius, min.	77 mm

Fitting

Fitting option	None
Fitting size	None
Fitting style	None
Fitting type	None

Dimension

Height	17.5 mm
Outer diameter	113 mm
Width	43 mm

Performance - lifting forces

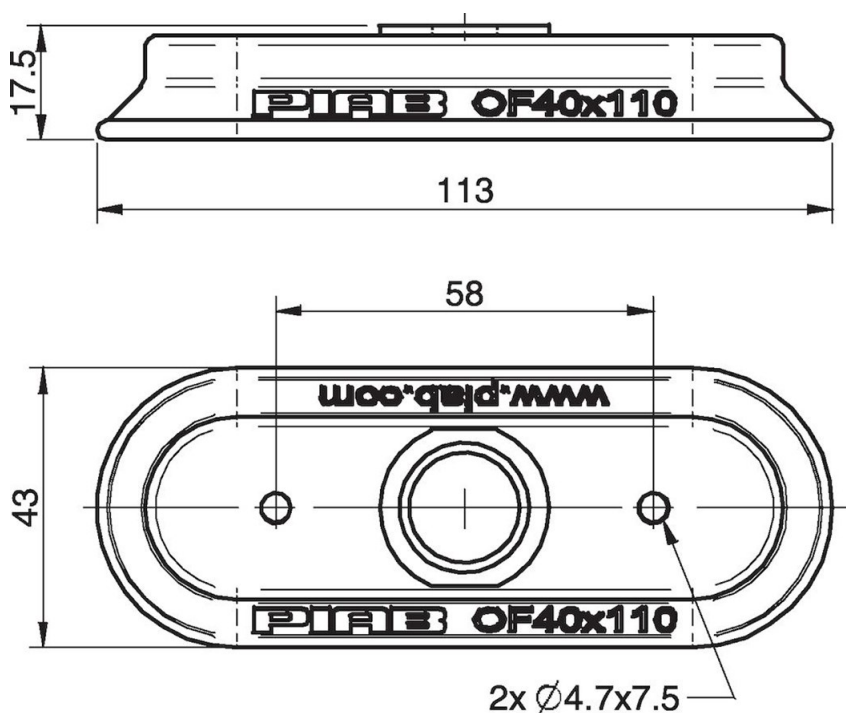
	OF40x110P PU40	⚠	⚠
20 -kPa		69 N	120 N
60 -kPa		203 N	230 N
90 -kPa		293 N	296 N

Material

Name	PU40
Colour	RedTransparent
Temperature	10 - 50 °C
Hardness	40 °Shore A

	PU40
Alcohol	n/a
Concentrated acids	+
Ethanol	+
Hydrolysis	+
Methanol	-
Oil	+++
Oxidation	-
Petrol	+
Wear resistance	+++
Weather and ozone	+++

Dimensional drawings ☰



Values specified in the data sheet are tested at:

- Room temperature: (20° C [68° F] ± 3° C [5.5° F])
 - Standard atmosphere: (101.3 [29.9 inHg] ± 1.0 kPa [0.3 inHg])
 - Relative humidity: 0-100%
 - Compressed air quality: DIN ISO 8573-1 class 4
-

Accessories

0107148 | Thread insert G3/8" male, with O-ring and mesh filter