



Item no: 0207738

## Suction cup OBF30x60P Polyurethane 60, G1/4" male

- Special designed friction cups for oily surfaces, such as sheets in metal forming processes.
- Normal wear on friction cup will not affect the long term shear force performance.
- Best choice if > 0,1g/m<sup>2</sup> press oil is used on the sheet.
- Thanks to the strong grip on oily surfaces, the suction cups can withstand high shear forces, typically 2–4 times more than corresponding conventional suction cups.
- The "OBF" design is suitable for oblong objects with domed and flat surfaces, such as those encountered with body parts in the automotive industry.
- Can handle objects with height differences.
- DURAFLEX® suction cups manufactured in a specially developed material that features the elasticity of rubber and wear resistance of polyurethane. The material does not leave any marks on the objects handled.

### General

Application	Oily sheet metal
Suction cup shape	Oval Bellows
Material	PU60, BR
Suction cup model	OBF
Weight	46 g
Volume	9.1 cm <sup>3</sup>
Suction cup model	OBF30x60P Oily metal sheet
Specification	Oily metal sheet
Movement, vertical max.	7 mm
Curve radius, min.	25 mm
Suction cup model	OBF30x60P Dry metal sheet
Specification	Dry metal sheet

## Fitting

Material	Brass
Fitting option	None
Fitting size	1/4"
Fitting style	Male
Fitting type	G-thread





---

## Dimension

Height	32.3 mm
Length	60 mm
Length, actuated	60.5 mm
Width	30 mm
Width, actuated	30.6 mm

---

## Performance - lifting forces

OBF30x60P Oily metal sheet		
60 -kPa	43 N	32 N
90 -kPa	65 N	45 N
OBF30x60P Dry metal sheet		
60 -kPa	60 N	74 N
90 -kPa	80 N	99 N

---

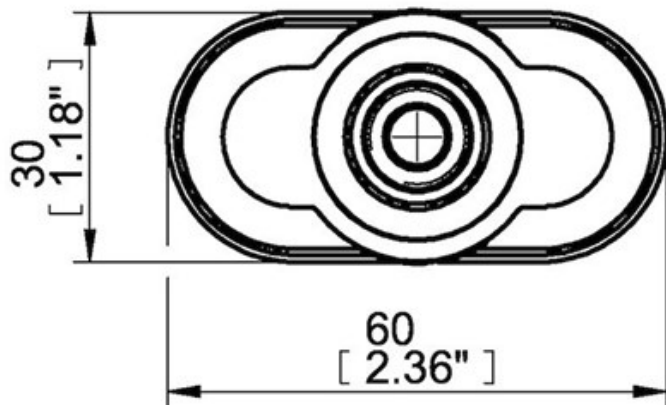
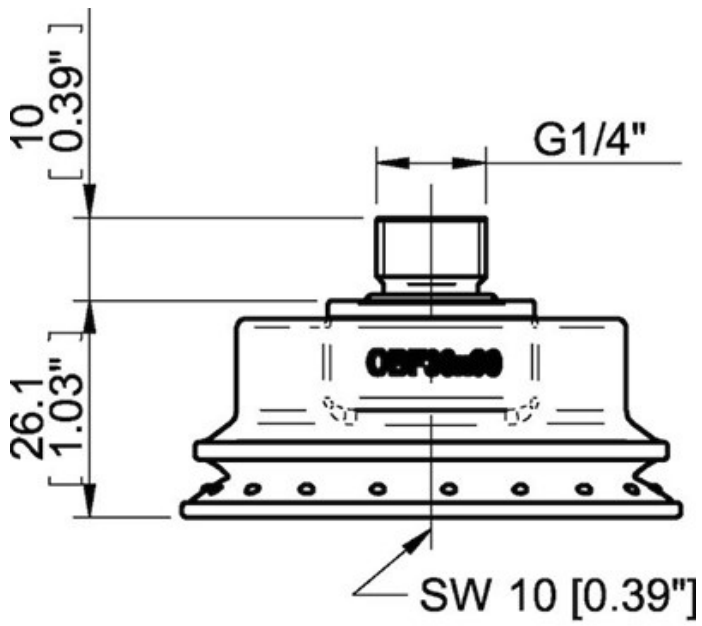
## Material

Name	PU60
Colour	Orange
Temperature	10 - 50 °C
Hardness	60 °Shore A

---

	PU60
Alcohol	n/a
Concentrated acids	+
Ethanol	+
Hydrolysis	+
Methanol	-
Oil	+++
Oxidation	-
Petrol	+
Wear resistance	+++
Weather and ozone	+++

---



---

Values specified in the data sheet are tested at:

- Room temperature: (20°C [68°F] ± 3°C [5.5°F])
  - Standard atmosphere: (101.3 [29.9 inHg] ± 1.0 kPa [0.3 inHg])
  - Relative humidity: 0-100%
  - Compressed air quality: DIN ISO 8573-1 class 4
-