



Item no: 0210601

Suction cup DCF40P Polyurethane 60, G1/4" male

- Special designed friction cups for domed or flat oily surfaces, such as sheets in metal forming processes.
- Long lasting material, normal wear on friction cup will not affect the long term shear force performance.
- Best choice if $> 0.1\text{g}/\text{m}^2$ press oil is used on the sheet but also a great choice for dry metal sheets.
- Refined internal friction pattern provides additional grip performance, the suction cups can withstand high shear forces, typically 3–5 times more than corresponding conventional suction cups.
- Thin design that easily will follow convex or concave surfaces. The thin and pliable design in combination with a special inner friction pattern will maximize grip performance.
- DURAFLEX® is a material that features the elasticity of rubber and wear resistance of polyurethane. The material has a fantastic elastic memory, even after hundreds of thousand cycles.

General

Application	Oily sheet metal
Suction cup shape	Deep Concave
Material	PU30, PU60
Suction cup model	DCF
Weight	24.8 g
Volume	3.7049 cm ³
Suction cup model	DCF40 Dry metal sheet
Specification	Dry metal sheet
Movement, vertical max.	6.1 mm
Curve radius, min.	20 mm
Suction cup model	DCF40 Oily metal sheet
Specification	Oily metal sheet

Fitting

Material	Al
Fitting size	1/4"
Fitting style	Male
Fitting type	G-thread

Dimension

Height	20.4 mm
Height 2 (Actuated)	14.3 mm
Outer diameter, actuated	42 mm
Outer diameter	40 mm

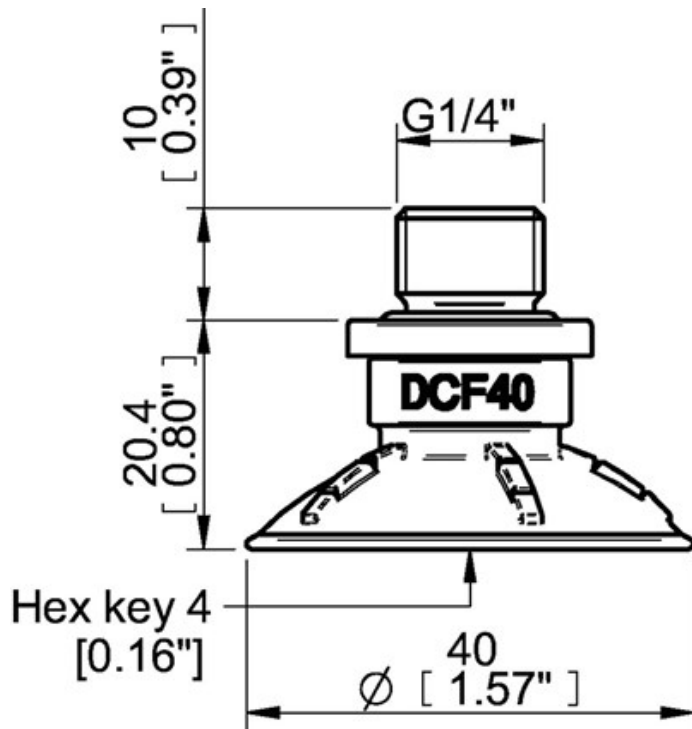
Performance - lifting forces

DCF40 Dry metal sheet	↑	↗
60 -kPa	43 N	27 N
90 -kPa	56 N	44 N
DCF40 Oily metal sheet	↑	↗
60 -kPa	40 N	19 N
90 -kPa	55 N	28 N

Material

Name	PU60
Colour	Orange
Temperature	10 - 50 °C
Hardness	60 °Shore A

	PU60
Alcohol	n/a
Concentrated acids	+
Ethanol	+
Hydrolysis	+
Methanol	-
Oil	+++
Oxidation	-
Petrol	+
Wear resistance	+++
Weather and ozone	+++



Values specified in the data sheet are tested at:

- Room temperature: (20° C [68° F] ± 3° C [5.5° F])
- Standard atmosphere: (101.3 [29.9 inHg] ± 1.0 kPa [0.3 inHg])
- Relative humidity: 0-100%
- Compressed air quality: DIN ISO 8573-1 class 4