



Item no: 0205200

Suction cup B52XP Polyurethane 60

Suitable for uneven and porous surfaces such as cardboard, etc. DURAFLEX® suction cups are manufactured in a specially developed material that features the elasticity of rubber and wear resistance of polyurethane. The material of the DURAFLEX® is mark-free.

- Suitable for limited level adjustment with good stability.
- Excellent gripping performance on corrugated and porous or surface leaking objects such as cardboard, textured plastic parts and composite material (raw surface)
- In the two-coloured suction cup the bellows and the sealing lip are of different hardnesses, which makes the suction cup strong and stable for accelerations and speed, at the same time, soft and flexible.
- DURAFLEX® suction cups manufactured in a specially developed material that features the elasticity of rubber and wear resistance of polyurethane.
- The material DURAFLEX® is mark free.

General

| | |
|-------------------------|------------------------------|
| Application | DrySheetMetal, GlassHandling |
| Suction cup shape | Bellows |
| Material | Polyurethane (PU60) |
| Suction cup model | B-XP |
| Weight | 17 g |
| Volume | 13.3 cm ³ |
| Suction cup model | B52XP PU60 |
| Movement, vertical max. | 11.2 mm |
| Curve radius, min. | 29 mm |

Fitting

| | |
|----------------|------|
| Fitting option | None |
| Fitting size | None |
| Fitting style | None |
| Fitting type | None |

Dimension

| | |
|----------------|-------|
| Height | 27 mm |
| Outer diameter | 53 mm |

Performance - lifting forces

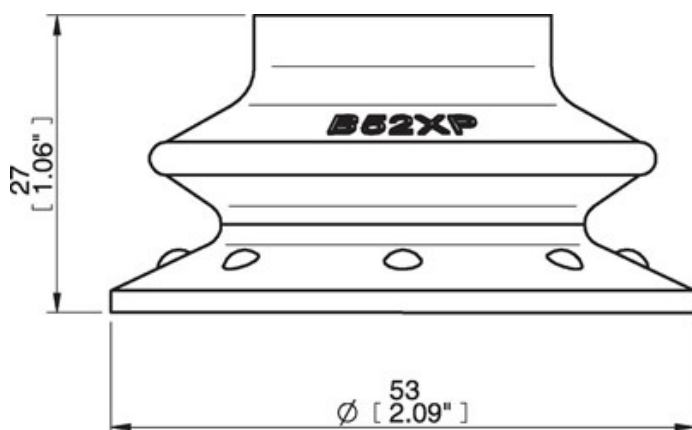
| | B52XP PU60 | ↑ | ↔ |
|---------|------------|--------|------|
| 20 -kPa | | 42.5 N | 39 N |
| 60 -kPa | | 109 N | 70 N |
| 90 -kPa | | 150 N | 90 N |

Material

| | |
|-------------|------------------|
| Name | PU60 |
| Colour | GreenTransparent |
| Temperature | 10 - 50 °C |
| Hardness | 60 °Shore A |

| | |
|--------------------|------|
| | PU60 |
| Alcohol | n/a |
| Concentrated acids | + |
| Ethanol | + |
| Hydrolysis | + |
| Methanol | - |
| Oil | +++ |
| Oxidation | - |
| Petrol | + |
| Wear resistance | +++ |
| Weather and ozone | +++ |

Dimensional drawings



Values specified in the data sheet are tested at:

- Room temperature: (20°C [68°F] ± 3°C [5.5°F])
- Standard atmosphere: (101.3 [29.9 inHg] ± 1.0 kPa [0.3 inHg])
- Relative humidity: 0-100%
- Compressed air quality: DIN ISO 8573-1 class 4

