

Item no: 0207609

Suction cup OBF15x65P Polyurethane 60, G1/4" male

- Special designed friction cups for oily surfaces, such as sheets in metal forming processes.
- Normal wear on friction cup will not affect the long term shear force performance.
- Best choice if > 0,1g/m² press oil is used on the sheet.
- Thanks to the strong grip on oily surfaces, the suction cups can withstand high shear forces, typically 2–4 times more than corresponding conventional suction cups.
- The small "OBF" cups are suitable for narrow objects with curved or flat surfaces and small gripping areas, such as those encountered with body parts in the automotive industry.
- Can handle objects with minor height differences.
- DURAFLEX® suction cups manufactured in a specially developed material that features the elasticity of rubber and wear resistance of polyurethane. The material does not leave any marks on the objects handled.

General

Application	Oily sheet metal
Suction cup shape	Oval Bellows
Material	PU60, BR
Suction cup model	OBF
Weight	26 g
Volume	2.6 cm ³
Suction cup model	OBF15x65P Oily metal sheet
Specification	Oily metal sheet
Movement, vertical max.	2.9 mm
Curve radius, min.	20 mm
Suction cup model	OBF15x65P Dry metal sheet
Specification	Dry metal sheet

Fitting

Material	Brass
Fitting option	None
Fitting size	1/4"
Fitting style	Male
Fitting type	G-thread

Dimension

Height	26.1 mm
Length	66 mm
Length, actuated	66.5 mm
Width	15 mm
Width, actuated	15 mm

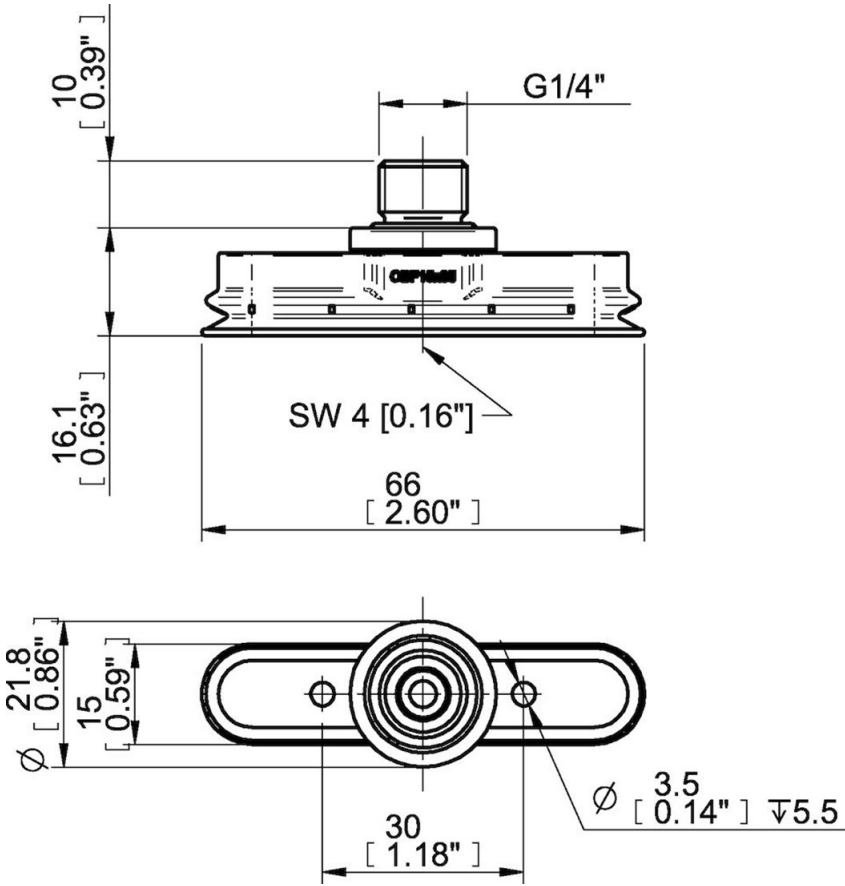
Performance - lifting forces

OBF15x65P Oily metal sheet	↑	↗
60 -kPa	31 N	7 N
90 -kPa	41 N	8 N
OBF15x65P Dry metal sheet	↑	↗
60 -kPa	41 N	31 N
90 -kPa	52 N	35 N

Material

Name	PU60
Colour	Orange
Temperature	10 - 50 °C
Hardness	60 °Shore A

	PU60
Alcohol	n/a
Concentrated acids	+
Ethanol	+
Hydrolysis	+
Methanol	-
Oil	+++
Oxidation	-
Petrol	+
Wear resistance	+++
Weather and ozone	+++



Values specified in the data sheet are tested at:

- Room temperature: (20°C [68°F] ± 3°C [5.5°F])
- Standard atmosphere: (101.3 [29.9 inHg] ± 1.0 kPa [0.3 inHg])
- Relative humidity: 0-100%
- Compressed air quality: DIN ISO 8573-1 class 4