



Item no: 0207595

### Suction cup OBF15x35P L Polyurethane 60, G1/4" male

- Special designed friction cups for oily surfaces, such as sheets in metal forming processes.
- Normal wear on friction cup will not affect the long term shear force performance.
- Best choice if > 0,1g/m<sup>2</sup> press oil is used on the sheet.
- Thanks to the strong grip on oily surfaces, the suction cups can withstand high shear forces, typically 2–4 times more than corresponding conventional suction cups.
- The small "OBF" cups are suitable for narrow objects with curved or flat surfaces and small gripping areas, such as those encountered with body parts in the automotive industry.
- Can handle objects with minor height differences.
- Available in a high (H) version, suitable for picking on narrow submerged surfaces, where a wider fitting otherwise will interfere with the object. Examples are frames and structural parts for the car.
- DURAFLEX® suction cups manufactured in a specially developed material that features the elasticity of rubber and wear resistance of polyurethane. The material does not leave any marks on the objects handled.

#### General

Application	Oily sheet metal
Suction cup shape	Oval Bellows
Material	PU60, BR
Suction cup model	OBF
Weight	21 g
Volume	1.3 cm <sup>3</sup>
Suction cup model	OBF15x35P L Oily metal sheet
Specification	Oily metal sheet
Movement, vertical max.	2.9 mm
Curve radius, min.	20 mm
Suction cup model	OBF15x35P L Dry metal sheet
Specification	Dry metal sheet

#### Fitting

Material	Brass
Fitting option	None
Fitting size	1/4"
Fitting style	Male
Fitting type	G-thread

---

#### Dimension

Height	26.1 mm
Length	36 mm
Length, actuated	36.5 mm
Width	15 mm
Width, actuated	15 mm

---

#### Performance - lifting forces

OBF15x35P L Oily metal sheet	↑	↗
60 -kPa	19 N	5 N
90 -kPa	24 N	6 N
OBF15x35P L Dry metal sheet	↑	↗
60 -kPa	25 N	21 N
90 -kPa	31 N	25 N

---

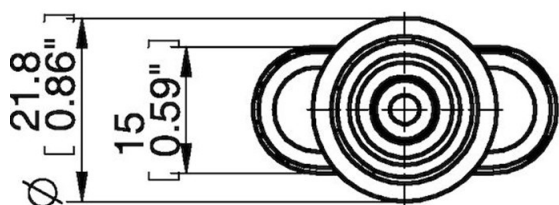
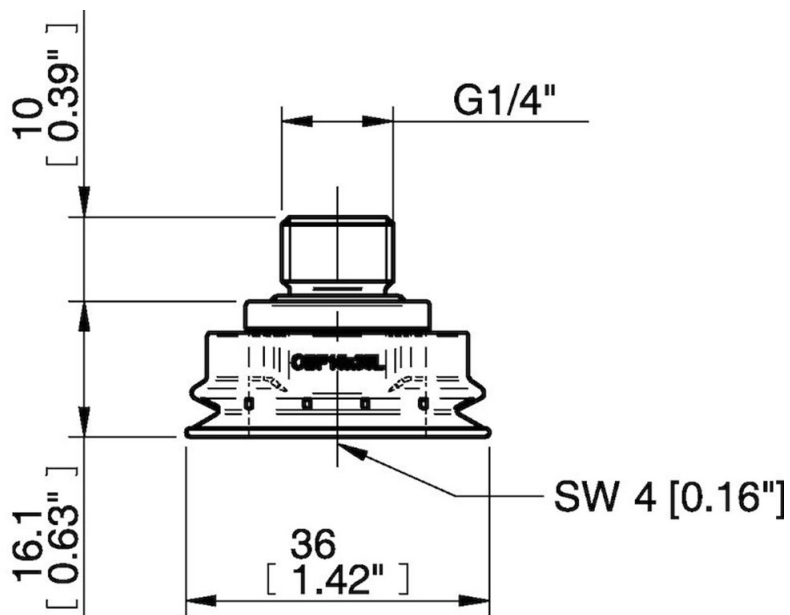
#### Material

Name	PU60
Colour	Orange
Temperature	10 - 50 °C
Hardness	60 °Shore A

---

	PU60
Alcohol	n/a
Concentrated acids	+
Ethanol	+
Hydrolysis	+
Methanol	-
Oil	+++
Oxidation	-
Petrol	+
Wear resistance	+++
Weather and ozone	+++

---



Values specified in the data sheet are tested at:

- Room temperature: (20° C [68° F] ± 3° C [5.5° F])
- Standard atmosphere: (101.3 [29.9 inHg] ± 1.0 kPa [0.3 inHg])
- Relative humidity: 0-100%
- Compressed air quality: DIN ISO 8573-1 class 4