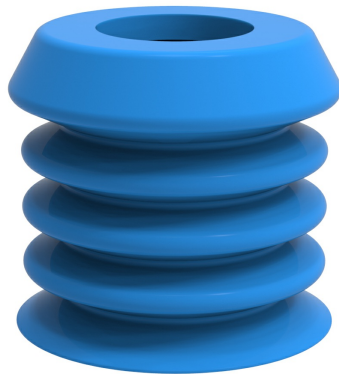


Suction cup B-BL30-2 Silicone, detectable, FCM , 0206373



- The silicone material complies with FDA 21 CFR 177.2600 and EU 1935/2004.
- Long lasting high-end silicone material
- A low percentage metal additive (Fe) is mixed with the rubber material to make it detectable.
- Suitable for bakeries for use with handling seeded product.
- Suitable for level adjustment.
- Available with male threaded food grade, detectable plastic fittings or acid proof stainless steel fittings. The fittings are separable.
- Additional fitting option – retainer clip for standard belts used for bread de-panner
- Easy to clean with hygienic design. No dust/dirt pockets.
- Low vacuum level needed to collapse bellows. Reduces risk for damaging the handled bakery product

General

Curve radius	10.8 mm
Movement, vertical max.	16.8 mm
Application	Food contact materials (FDA & EU), detectable
Material	Silicone (SIL detectable FCM)
Suction cup model	B-BL
Suction cup shape	Multibellows
Volume	11 cm ³
Weight	3.5 g

Fitting

Fitting size	None
Fitting style	None
Fitting type	None
Fitting option	None

Dimension

Height	28 mm
Outer diameter	30 mm
Outer diameter, actuated	30 mm

Performance — lifting forces

		
10 -kPa	4.4 N	3 N
20 -kPa	7.4 N	4.4 N
40 -kPa	12.3 N	8.3 N

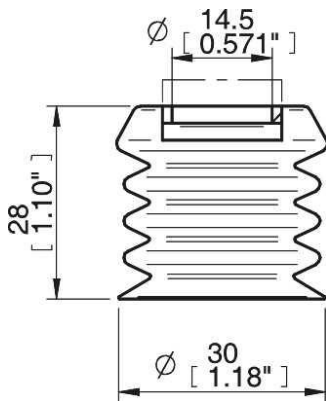
Material

	Silicone (SIL detectable FCM)
Colour	Blue
Hardness	40 °Shore A
Temperature	-40 – 200 °C

Material resistance

	Silicone (SIL detectable FCM)
Alcohol	++
Concentrated acids	-
Ethanol	N/A
Hydrolysis	+
Methanol	N/A
Oil	-
Oxidation	+++
Petrol	-
Wear resistance	++
Weather and ozone	+++

Dimensional drawings



Values specified in the data sheet are tested at:

Room temperature	(20°C [68°F] ± 3°C [5.5°F])
Standard atmosphere	(101.3 [29.9 inHg] ± 1.0 kPa [0.3 inHg])
Relative humidity	0-100%
Compressed air quality	DIN ISO 8573-1 class 4

Accessories

	Item no.
Retainer clip Ø9, composite, B-BL	0121660
Fitting G3/8" Male, SS, B-BL	0207181
Fitting 3/8" NPT Male, SS, B-BL	0207182
Fitting G1/2" Male, SS, B-BL	0207183
Fitting 1/2" NPT Male, SS, B-BL	0207184
Fitting G3/8" Male, composite, B-BL	0207190
Fitting 3/8" NPT Male, composite, B-BL	0207191
Fitting G1/2" Male, composite, B-BL	0207192
Fitting 1/2" NPT Male, composite, B-BL	0207193