



Item no: 0207255

Suction cup BFF80P Polyurethane 55/60 G3/8" female with mesh filter

The BFF-P design is suitable for oily surfaces, uneven/curved surfaces or if level compensation is needed, for example in de-stacking applications. The flat inner support gives stability during movement in any orientation. Special designed friction cups for oily surfaces, such as sheets in metal forming processes... Thanks to the strong grip on oily surfaces, the suction cups can withstand high shear forces, typically 2–4 times more than corresponding conventional suction cups.

- Special designed friction cups for oily surfaces, such as sheets in metal forming processes.
- Normal wear on friction cup will not affect the long term shear force performance.
- Best choice if $> 0.1\text{g}/\text{m}^2$ press oil is used on the sheet.
- Thanks to the strong grip on oily surfaces, the suction cups can withstand high shear forces, typically 2–4 times more than corresponding conventional suction cups.
- The "BFF" design is suitable for uneven/curved surfaces or if level compensation is needed, for example in de-stacking applications.
- The flat inner support gives stability during movement in any orientation.
- DURAFLEX® suction cups manufactured in a specially developed material that features the elasticity of rubber and wear resistance of polyurethane. The material does not leave any marks on the objects handled.

General

Replaces	0118670
Replaces US	BFF80P.5R.G45W
Application	Oily sheet metal
Suction cup shape	Bellows
Material	PU55, PU60
Suction cup model	BFF
Weight	71.3 g
Suction cup model	BFF80P Dry metal sheet
Specification	Dry metal sheet
Movement, vertical max.	14 mm
Curve radius, min.	50 mm
Suction cup model	BFF80P Oily steel plate
Specification	Oily steel plate





Fitting

Material	Al
Fitting option	Filter mesh
Fitting size	3/8"
Fitting style	Female
Fitting type	G-thread

Dimension

Height	49.5 mm
Outer diameter, actuated	86.7 mm
Outer diameter	85.3 mm


Performance - lifting forces

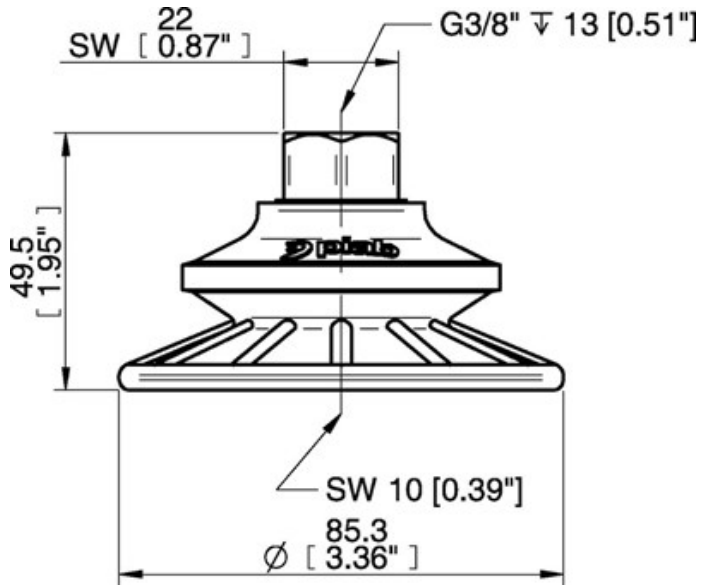
		
BFF80P Dry metal sheet		
60 -kPa	176 N	201 N
90 -kPa	236 N	240 N
BFF80P Oily steel plate		
60 -kPa	174 N	110 N
90 -kPa	207 N	160 N

Material

Name	PU60	PU55
Colour	Orange	Orange
Temperature	10 - 50 °C	10 - 50 °C
Hardness	60 °Shore A	55 °Shore A

	PU60	PU55
Alcohol	n/a	n/a
Concentrated acids	+	+
Ethanol	+	+
Hydrolysis	+	+
Methanol	-	-
Oil	+++	+++
Oxidation	-	-
Petrol	+	+
Wear resistance	+++	+++
Weather and ozone	+++	+++

Dimensional drawings 



Values specified in the data sheet are tested at:

- Room temperature: (20°C [68°F] ± 3°C [5.5°F])
- Standard atmosphere: (101.3 [29.9 inHg] ± 1.0 kPa [0.3 inHg])
- Relative humidity: 0-100%
- Compressed air quality: DIN ISO 8573-1 class 4