



Item no: 0207093

Suction cup B-BL30-2 Silicone, G1/2" male SS detectable, FCM

- The silicone material complies with FDA 21 CFR 177.2600 and EU 1935/2004.
- Long lasting high-end silicone material
- A low percentage metal additive (Fe) is mixed with the rubber material to make it detectable.
- Suitable for bakeries for use with handling seeded product.
- Suitable for level adjustment.
- Available with male threaded food grade, detectable plastic fittings or acid proof stainless steel fittings.

The fittings are separable.

- Additional fitting option – retainer clip for standard belts used for bread de-panner
- Easy to clean with hygienic design. No dust/dirt pockets.
- Low vacuum level needed to collapse bellows. Reduces risk for damaging the handled bakery product

General

Application	Food contact materials (FDA & EU), detectable
Suction cup shape	Multibellows
Material	SILDETFCM, ASTM316L
Suction cup model	B-BL
Weight	64 g
Volume	11 cm ³
Suction cup model	B-BL30-2 FCM, detectable
Movement, vertical max.	16.8 mm
Curve radius, min.	10.8 mm

Fitting

Fitting option	None
Fitting size	1/2"
Fitting style	Male
Fitting type	G-thread

Dimension

Height	35 mm
Outer diameter, actuated	30.5 mm
Outer diameter	30 mm

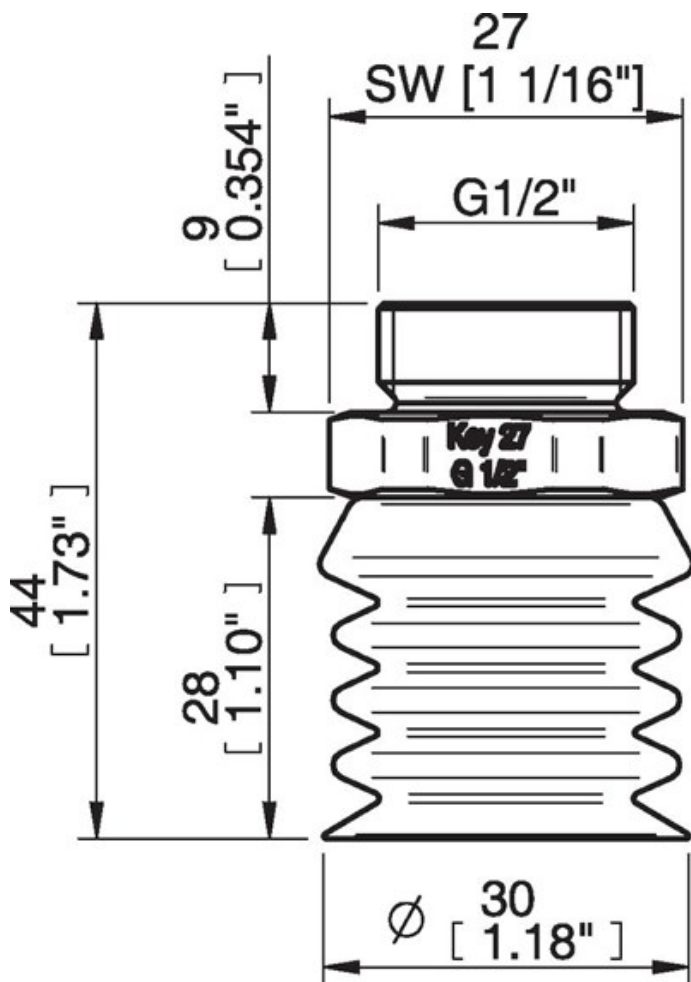
Performance - lifting forces

B-BL30-2 FCM, detectable	$\hat{\Delta}$	$\hat{\Delta}$
10 -kPa	4.4 N	3 N
20 -kPa	7.4 N	4.4 N
40 -kPa	12.3 N	8.3 N

Material

Name	SILDETFCM
Colour	Blue
Temperature	-40 - 200 °C
Hardness	40 °Shore A

	SILDETFCM
Alcohol	++
Concentrated acids	-
Ethanol	n/a
Hydrolysis	+
Methanol	n/a
Oil	-
Oxidation	+++
Petrol	-
Wear resistance	++
Weather and ozone	+++



Accessories

- 0121660 | Retainer clip \varnothing 9, composite, B-BL
- 0207181 | Fitting G3/8" Male, SS, B-BL
- 0207182 | Fitting 3/8" NPT Male, SS, B-BL
- 0207184 | Fitting 1/2" NPT Male, SS, B-BL
- 0207190 | Fitting G3/8" Male, composite, B-BL
- 0207191 | Fitting 3/8" NPT Male, composite, B-BL
- 0207192 | Fitting G1/2" Male, composite, B-BL
- 0207193 | Fitting 1/2" NPT Male, composite, B-BL

Spare parts

- 0206373 | Suction cup B-BL30-2 Silicone, detectable, FCM
- 0207183 | Fitting G1/2" Male, SS, B-BL