



Item no: 0207698

Suction cup BFFT50P Polyurethane 60/60/30 G1/4" male with mesh filter

- Special designed friction cups for thin (0.6-0.8 mm) oily metal sheets, such as outer body car parts in a press-to press forming process.
- Long lasting material, normal wear on friction cup will not affect the long term grip performance.
- Refined internal friction pattern provides additional grip performance, the suction cups can withstand high shear forces, typically 3–5 times more than corresponding conventional suction cups.
- Best choice if > 0.1g/m² press oil is used on the sheet but also a great choice for dry metal sheets.
- The "BFFT" design is suitable for thin flat or uneven/curved surfaces and if level compensation is needed, for example in de-stacking applications.
- The flat inner support, made of dual hardness, gives stability and good grip during movement in any orientation.
- DURAFLEX® suction cups manufactured in a specially developed material that features the elasticity of rubber and wear resistance of polyurethane. The material does not leave any marks on the objects handled and has a fantastic elastic memory, even after hundreds of thousands of cycles.

General

Application	Oily sheet metal
Suction cup shape	Bellows
Material	PU30, PU60
Suction cup model	BFFT
Weight	0.0782 g
Volume	14.8 cm ³
Suction cup model	BFFT50P Oily metal sheet
Specification	Oily metal sheet
Movement, vertical max.	11 mm
Curve radius, min.	85 mm
Suction cup model	BFFT50P Dry metal sheet
Specification	Dry metal sheet

Fitting

Material	Al
Fitting option	Filter mesh
Fitting size	1/4"
Fitting style	Male
Fitting type	G-thread

Dimension

Height	39.2 mm
Outer diameter, actuated	46.7 mm
Outer diameter	54.4 mm

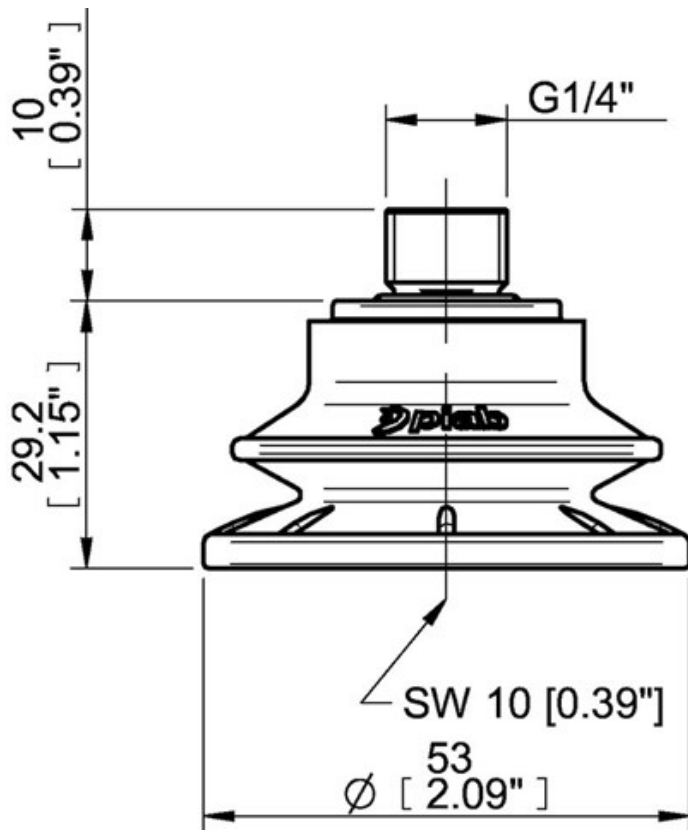
Performance - lifting forces

	↑	↗
BFFT50P Oily metal sheet		
60 -kPa	104 N	61 N
90 -kPa	145 N	85 N
	↑	↗
BFFT50P Dry metal sheet		
60 -kPa	105 N	122 N
90 -kPa	146 N	155 N

Material

Name	PU60	PU30	PU60
Colour	Orange	Yellow	GreenTransparent
Temperature	10 - 50 °C	10 - 50 °C	10 - 50 °C
Hardness	60 °Shore A	30 °Shore A	60 °Shore A

	PU60	PU30	PU60
Alcohol	n/a	n/a	n/a
Concentrated acids	+	+	+
Ethanol	+	+	+
Hydrolysis	+	+	+
Methanol	-	-	-
Oil	+++	+++	+++
Oxidation	-	-	-
Petrol	+	+	+
Wear resistance	+++	+++	+++
Weather and ozone	+++	+++	+++



Values specified in the data sheet are tested at:

- Room temperature: (20°C [68°F] ± 3°C [5.5°F])
- Standard atmosphere: (101.3 [29.9 inHg] ± 1.0 kPa [0.3 inHg])
- Relative humidity: 0-100%
- Compressed air quality: DIN ISO 8573-1 class 4