



Item no: 0207748

### Suction cup BXF60P Polyurethane 60, G3/8" female with mesh filter

- Special designed friction cup with multi bellows for oily metal sheets. Suitable for application where great level compensation is needed such as de-stacking sheets from magazines (press-line) and picking car body parts from racks.
- Very low vacuum level needed to fully compress the extra-long bellows causes the cup not to push away parts from position.
- The "BXF" design is suitable for flat as well as uneven/curved surfaces.
- Internal friction pattern on the lip can withstand high shear forces, typically 3–5 times more than corresponding conventional suction cups.
- Best choice if > 0.1g/m<sup>2</sup> press oil is used on the sheet but also a great choice for dry metal sheets.
- DURAFLEX® is a material that features the elasticity of rubber and wear resistance of polyurethane. The material has a fantastic elastic memory, even after hundreds of thousand cycles.

#### General

Application	Oily sheet metal
Suction cup shape	Bellows
Material	Polyurethane (PU60)
Suction cup model	BXF
Weight	49.3 g
Volume	80 cm <sup>3</sup>
Suction cup model	BXF60P Dry metal sheet
Specification	Dry metal sheet
Movement, vertical max.	31.8 mm
Curve radius, min.	70 mm
Suction cup model	BXF60P Oily metal sheet
Specification	Oily metal sheet

## Fitting

Material	Al
Fitting option	Filter mesh
Fitting size	3/8"
Fitting style	Female
Fitting type	G-thread





---

## Dimension

Height	65.6 mm
Outer diameter, actuated	61.7 mm
Outer diameter	60 mm

---

## Performance - lifting forces

		
<b>BXF60P Dry metal sheet</b>		
60 -kPa	88 N	47 N
90 -kPa	122 N	50 N
<b>BXF60P Oily metal sheet</b>		
60 -kPa	82 N	43 N
90 -kPa	115 N	46 N

---

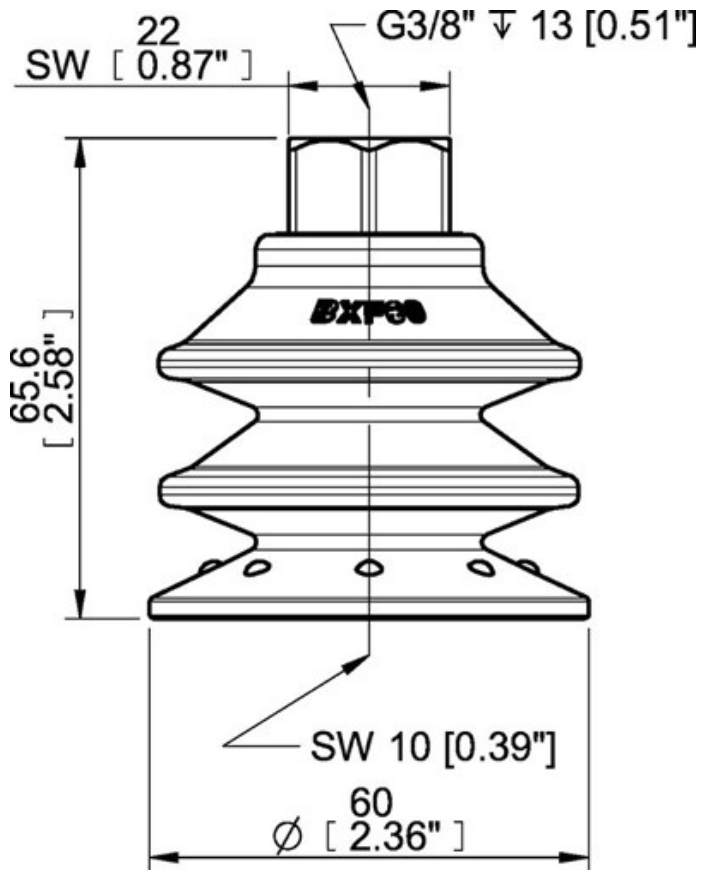
## Material

Name	PU60
Colour	Orange
Temperature	10 - 50 °C
Hardness	60 °Shore A

---

	PU60
Alcohol	n/a
Concentrated acids	+
Ethanol	+
Hydrolysis	+
Methanol	-
Oil	+++
Oxidation	-
Petrol	+
Wear resistance	+++
Weather and ozone	+++

---



Values specified in the data sheet are tested at:

- Room temperature: (20°C [68°F] ± 3°C [5.5°F])
- Standard atmosphere: (101.3 [29.9 inHg] ± 1.0 kPa [0.3 inHg])
- Relative humidity: 0-100%
- Compressed air quality: DIN ISO 8573-1 class 4