



Item no: 0209310

Suction cup BXF75P Polyurethane 60, G3/8" male with mesh filter

- Special designed friction cup with multi bellows for oily metal sheets. Suitable for application where great level compensation is needed such as de-stacking sheets from magazines (press-line) and picking car body parts from racks.
- Very low vacuum level needed to fully compress the extra-long bellows causes the cup not to push away parts from position.
- The "BXF" design is suitable for flat as well as uneven/curved surfaces.
- Internal friction pattern on the lip can withstand high shear forces, typically 3–5 times more than corresponding conventional suction cups.
- Best choice if > 0.1g/m² press oil is used on the sheet but also a great choice for dry metal sheets.
- DURAFLEX® is a material that features the elasticity of rubber and wear resistance of polyurethane. The material has a fantastic elastic memory, even after hundreds of thousand cycles.

General

Application	Oily sheet metal
Suction cup shape	Bellows
Material	Polyurethane (PU60)
Suction cup model	BXF
Weight	82.3 g
Volume	105 cm ³
Suction cup model	BXF75P Dry metal sheet
Specification	Dry metal sheet
Movement, vertical max.	43 mm
Curve radius, min.	110 mm
Suction cup model	BXF75P Oily metal sheet
Specification	Oily metal sheet





Fitting

Material	Al
Fitting option	Filter mesh
Fitting size	3/8"
Fitting style	Male
Fitting type	G-thread

Dimension

Height	76.3 mm
Outer diameter, actuated	77 mm
Outer diameter	75 mm

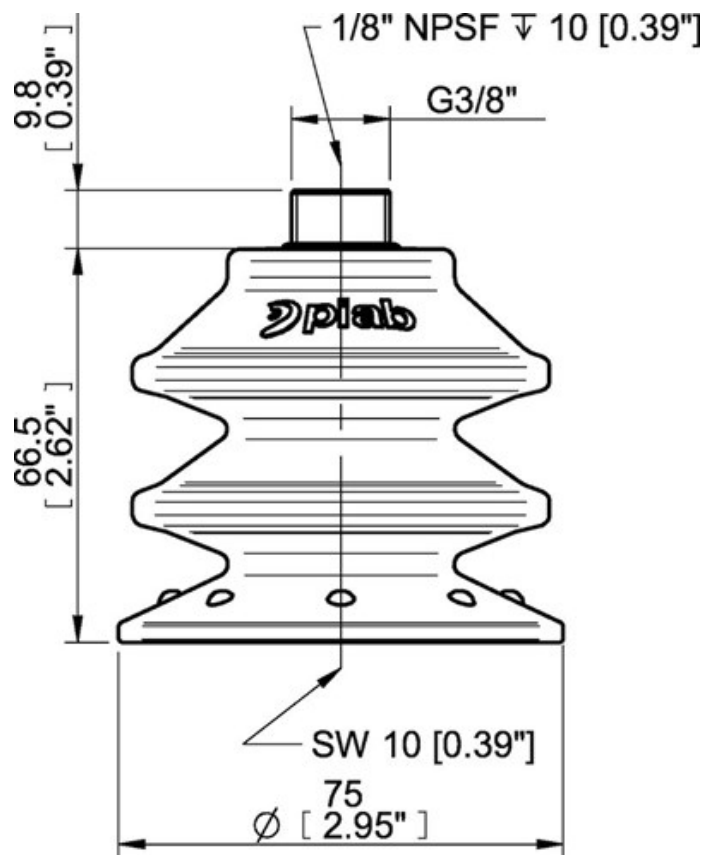
Performance - lifting forces

		
BXF75P Dry metal sheet		
60 -kPa	115 N	73 N
90 -kPa	154 N	79 N
BXF75P Oily metal sheet		
60 -kPa	117 N	71 N
90 -kPa	153 N	76 N

Material

Name	PU60
Colour	Orange
Temperature	10 - 50 °C
Hardness	60 °Shore A

	PU60
Alcohol	n/a
Concentrated acids	+
Ethanol	+
Hydrolysis	+
Methanol	-
Oil	+++
Oxidation	-
Petrol	+
Wear resistance	+++
Weather and ozone	+++



Values specified in the data sheet are tested at:

- Room temperature: (20°C [68°F] \pm 3°C [5.5°F])
- Standard atmosphere: (101.3 [29.9 inHg] \pm 1.0 kPa [0.3 inHg])
- Relative humidity: 0-100%
- Compressed air quality: DIN ISO 8573-1 class 4